

# AV RECEIVER/AV AMPLIFIER RX-V550/HTR-5750 RX-V450/HTR-5740/DSP-AX450 SERVICE MANUAL

RX-V550/HTR-5750  
RX-V450/HTR-5740/DSP-AX450

## IMPORTANT NOTICE

This manual has been provided for the use of authorized YAMAHA Retailers and their service personnel. It has been assumed that basic service procedures inherent to the industry, and more specifically YAMAHA Products, are already known and understood by the users, and have therefore not been restated.

**WARNING:** Failure to follow appropriate service and safety procedures when servicing this product may result in personal injury, destruction of expensive components, and failure of the product to perform as specified. For these reasons, we advise all YAMAHA product owners that any service required should be performed by an authorized YAMAHA Retailer or the appointed service representative.

**IMPORTANT:** The presentation or sale of this manual to any individual or firm does not constitute authorization, certification or recognition of any applicable technical capabilities, or establish a principle-agent relationship of any form.

The data provided is believed to be accurate and applicable to the unit(s) indicated on the cover. The research, engineering, and service departments of YAMAHA are continually striving to improve YAMAHA products. Modifications are, therefore, inevitable and specifications are subject to change without notice or obligation to retrofit. Should any discrepancy appear to exist, please contact the distributor's Service Division.

**WARNING:** Static discharges can destroy expensive components. Discharge any static electricity your body may have accumulated by grounding yourself to the ground buss in the unit (heavy gauge black wires connect to this buss).

**IMPORTANT:** Turn the unit OFF during disassembly and part replacement. Recheck all work before you apply power to the unit.

## ■ CONTENTS

TO SERVICE PERSONNEL .....	2	AMP ADJUSTMENT / アンプ部調整 .....	43
IMPEDANCE SELECTOR .....	3	IC DATA .....	44~49
FRONT PANELS .....	4~6	BLOCK DIAGRAM .....	50~51
REAR PANELS .....	7~15	DISPLAY DATA .....	52
REMOTE CONTROL PANELS .....	16	PRINTED CIRCUIT BOARD .....	53~73
SPECIFICATIONS / 参考仕様 .....	17~18	PIN CONNECTION DIAGRAM .....	74
INTERNAL VIEW .....	18	SCHEMATIC DIAGRAM .....	75~85
DISASSEMBLY PROCEDURES / 分解手順 .....	19~21	PARTS LIST .....	87~123
SELF DIAGNOSIS FUNCTION (DIAG) / 自己診断機能 (ダイアグ) .....	22~42	REMOTE CONTROL .....	124~125



このサービスマニュアルは、エコマーク認定の再生紙を使用しています。  
This Service Manual uses recycled paper.

100884



**YAMAHA**  
YAMAHA CORPORATION  
P.O.Box 1, Hamamatsu, Japan

## ■ TO SERVICE PERSONNEL

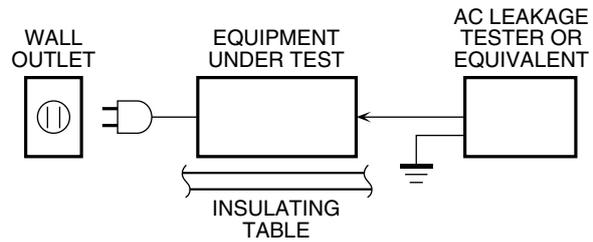
### 1. Critical Components Information

Components having special characteristics are marked  and must be replaced with parts having specifications equal to those originally installed.

### 2. Leakage Current Measurement (For 120V Models Only)

When service has been completed, it is imperative to verify that all exposed conductive surfaces are properly insulated from supply circuits.

- Meter impedance should be equivalent to 1500 ohm shunted by 0.15µF.
- Leakage current must not exceed 0.5mA.
- Be sure to test for leakage with the AC plug in both polarities.



### “CAUTION”

“F1, 2: FOR CONTINUED PROTECTION AGAINST RISK OF FIRE, REPLACE ONLY WITH SAME TYPE 8A, 125V FUSE.”

### CAUTION

F1, 2: REPLACE WITH SAME TYPE 8A, 125V FUSE.

### ATTENTION

F1, 2: UTILISER UN FUSIBLE DE RECHANGE DE MEME TYPE DE 8A, 125V.

## WARNING: CHEMICAL CONTENT NOTICE!

The solder used in the production of this product contains LEAD. In addition, other electrical/electronic and/or plastic (where applicable) components may also contain traces of chemicals found by the California Health and Welfare Agency (and possibly other entities) to cause cancer and/or birth defects or other reproductive harm.

DO NOT PLACE SOLDER, ELECTRICAL/ELECTRONIC OR PLASTIC COMPONENTS IN YOUR MOUTH FOR ANY REASON WHATSOEVER!

Avoid prolonged, unprotected contact between solder and your skin! When soldering, do not inhale solder fumes or expose eyes to solder/flux vapor!

If you come in contact with solder or components located inside the enclosure of this product, wash your hands before handling food.

## About Lead Free Solder / 無鉛ハンダについて

The P.C.B.s installed in this unit are soldered using the following solder.

本機に搭載されている基板のハンダ付けに使用されているハンダは下記の通りです。

	Component Side / 部品面	Foil Side / ハンダ面
DSP P.C.B.	Lead Solder / 鉛入りハンダ	Lead Free Solder / 無鉛ハンダ
FUNCTION P.C.B.	—	Lead Free Solder / 無鉛ハンダ
OPERATION P.C.B.	—	Lead Free Solder / 無鉛ハンダ
MAIN P.C.B.	—	Lead Free Solder / 無鉛ハンダ
POWER P.C.B.	—	Lead Free Solder / 無鉛ハンダ
SUBTRANS P.C.B.	—	Lead Free Solder / 無鉛ハンダ
VIDEO P.C.B.	—	Lead Free Solder / 無鉛ハンダ

Among some types of lead free solder currently available, it is recommended to use one of the following types for the repair work.

- Sn + Ag + Cu (tin + silver + copper)
- Sn + Cu (tin + copper)
- Sn + Zn + Bi (tin + zinc + bismuth)

無鉛ハンダにはいくつかの種類がありますが、修理時には下記のような無鉛ハンダの使用を推奨します。

- Sn+Ag+Cu(錫+銀+銅)
- Sn+Cu(錫+銅)
- Sn+Zn+Bi(錫+亜鉛+ビスマス)

### Caution:

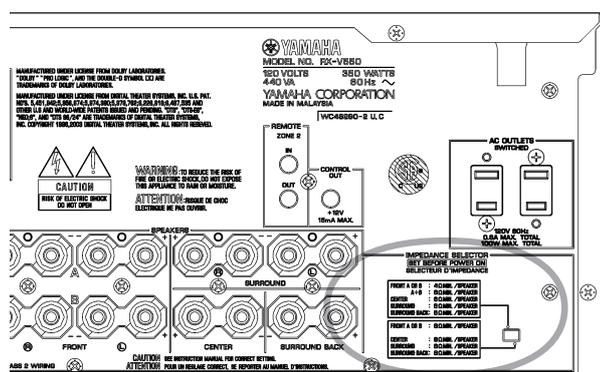
1. As the melting point temperature of the lead free solder is about 30°C to 40°C (50°F to 70°F) higher than that of the lead solder, be sure to use a soldering iron suitable to each solder.
2. If lead solder must be used, be sure to remove lead free solder from each terminal section of the parts to be replaced and from the area around it completely before soldering, or make sure that the lead free solder and lead solder melt together fully.

### 注意：

- ① 無鉛ハンダの融点温度は通常の鉛入りハンダに比べ30～40℃程度高くなっていますので、それぞれのハンダに合ったハンダごてをご使用ください。
- ② 鉛入りハンダを使わざるを得ない場合は、あらかじめ交換する部品端子部やその周辺部の無鉛ハンダをすべて取り除くか、あるいは無鉛ハンダと鉛入りハンダが十分に溶けた状態となるようにハンダ付けしてください。

## ■ IMPEDANCE SELECTOR

Except DSP-AX450



### IMPEDANCE SELECTOR

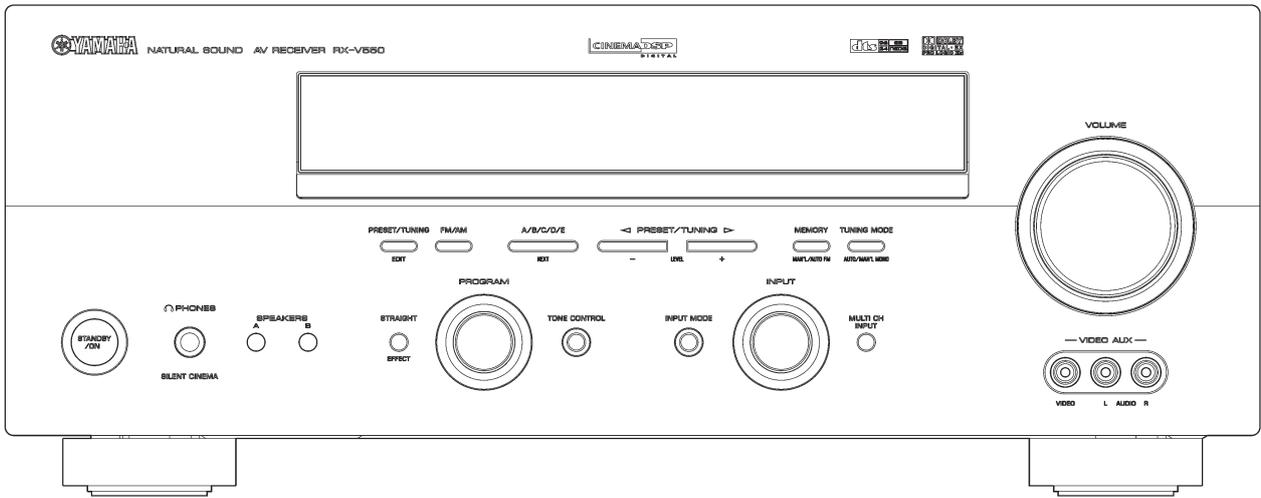
#### WARNING:

Do not change the IMPEDANCE SELECTOR switch setting while the power to this unit is on, otherwise this unit may be damaged.

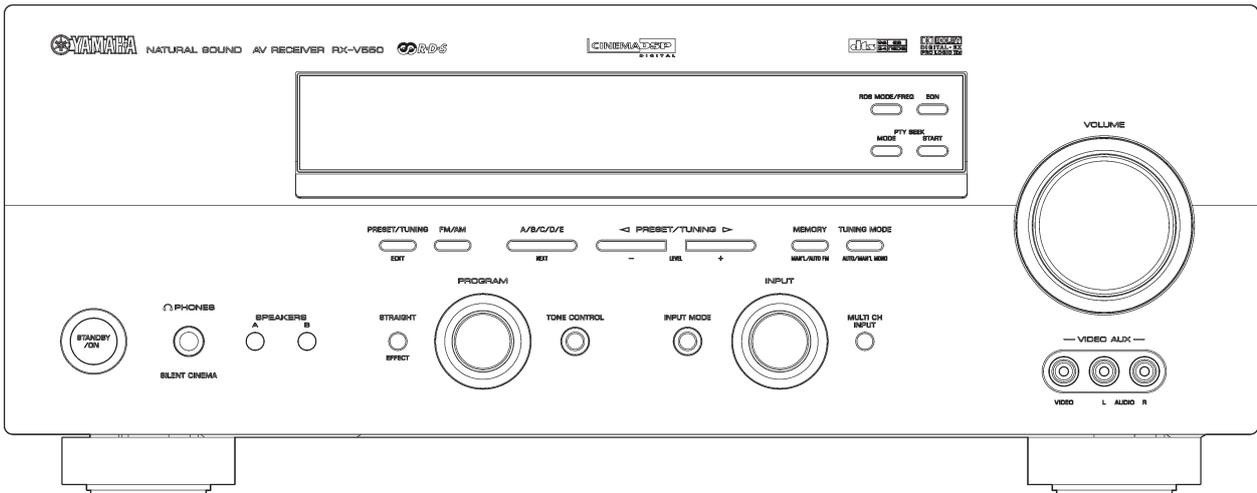
RX-V550/HTR-5750  
 RX-V450/HTR-5740/DSP-AX450

## FRONT PANELS

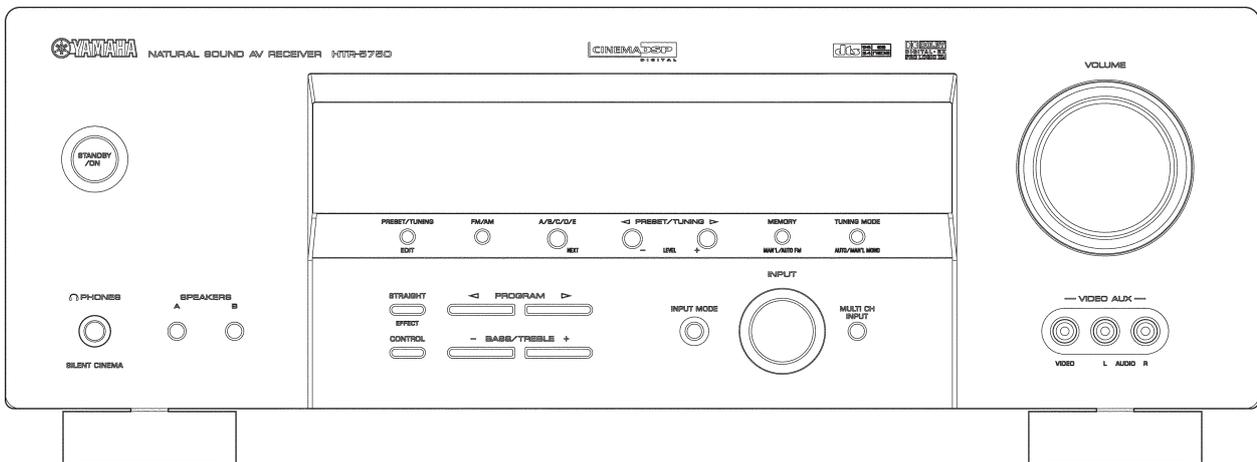
RX-V550 (U, C, A, L, R, T, K models)



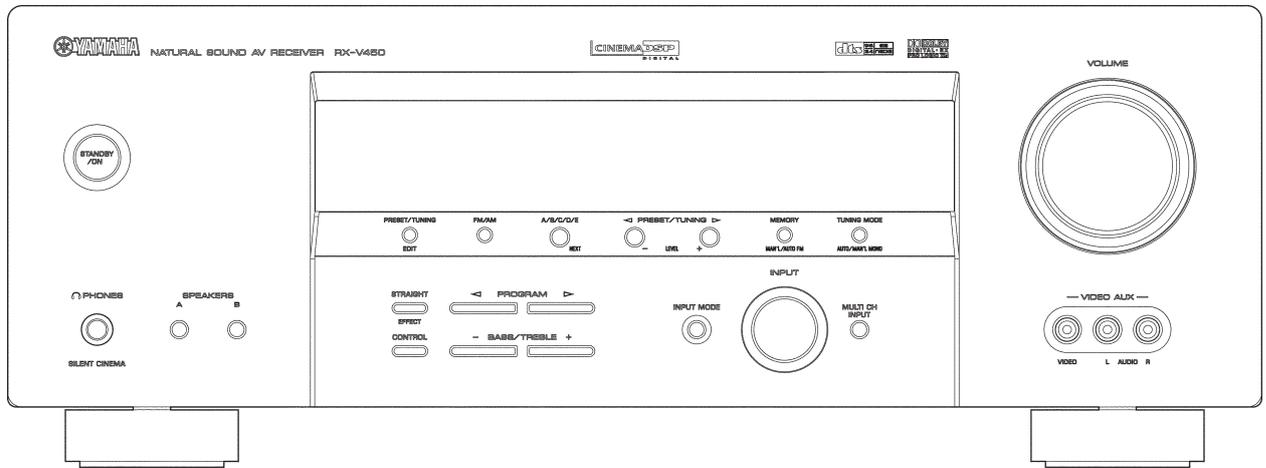
RX-V550 (B, G, E models)



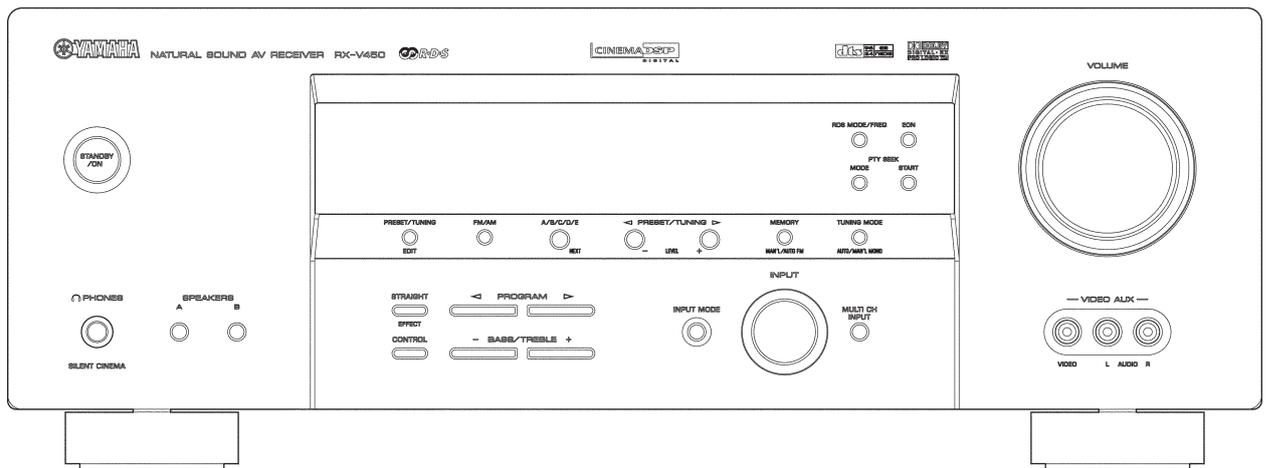
HTR-5750 (U, C, A, T, K models)



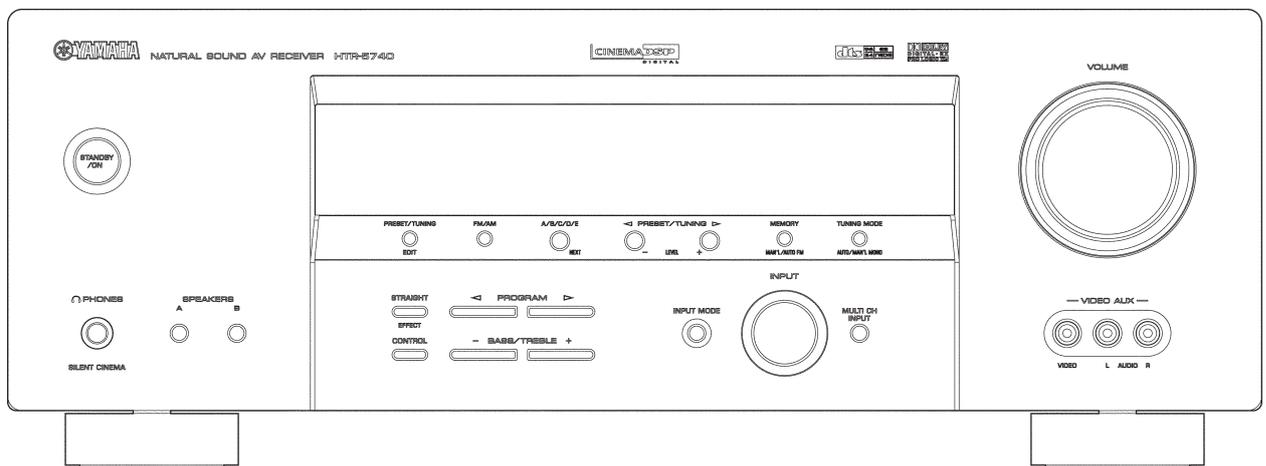
RX-V450 (U, C, A, L, R, T, K models)



RX-V450 (B, G, E models)



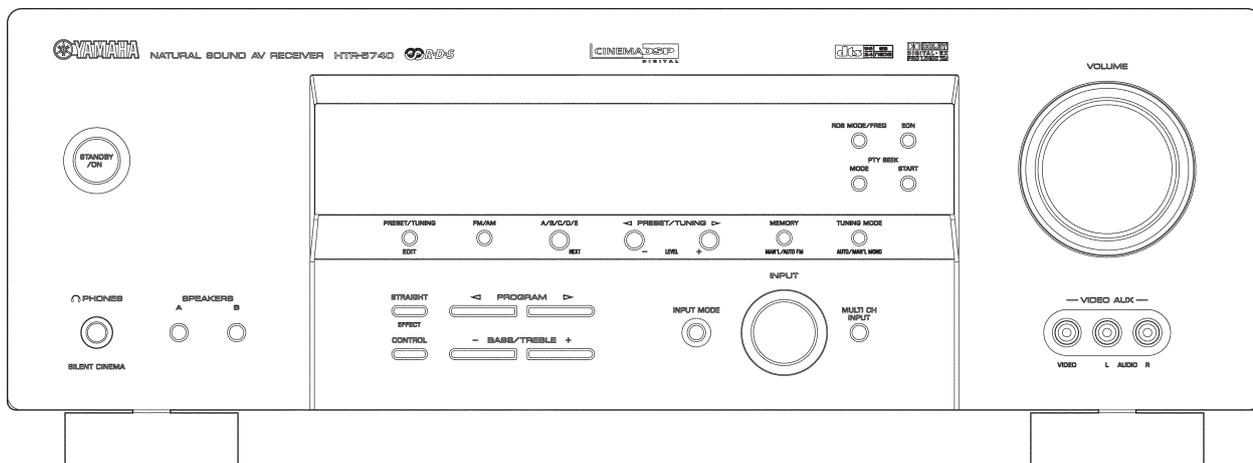
HTR-5740 (U, C, A, T, K models)



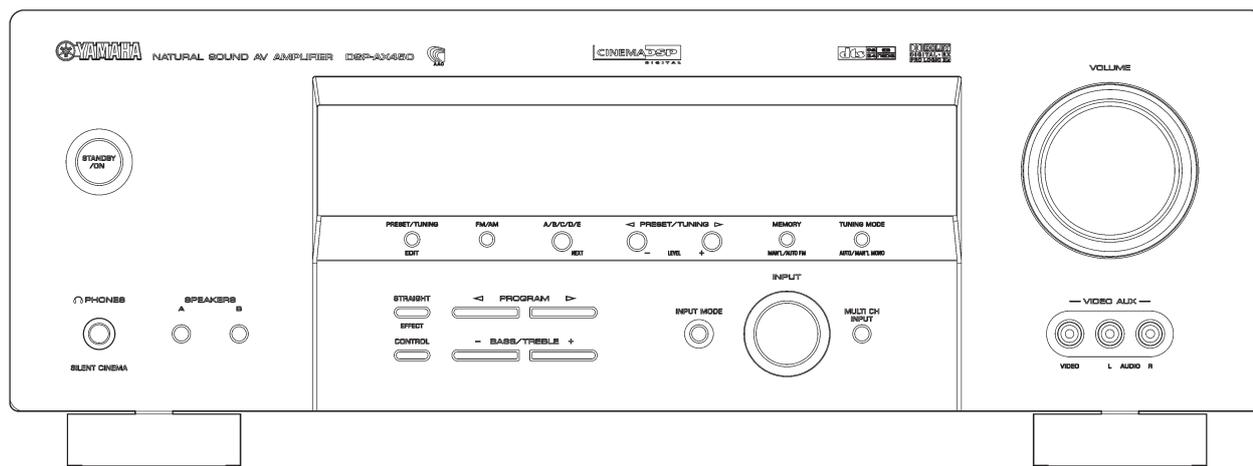
RX-V550/HTR-5750  
RX-V450/HTR-5740/DSP-AX450

RX-V550/HTR-5750  
 RX-V450/HTR-5740/DSP-AX450

HTR-5740 (G, E models)



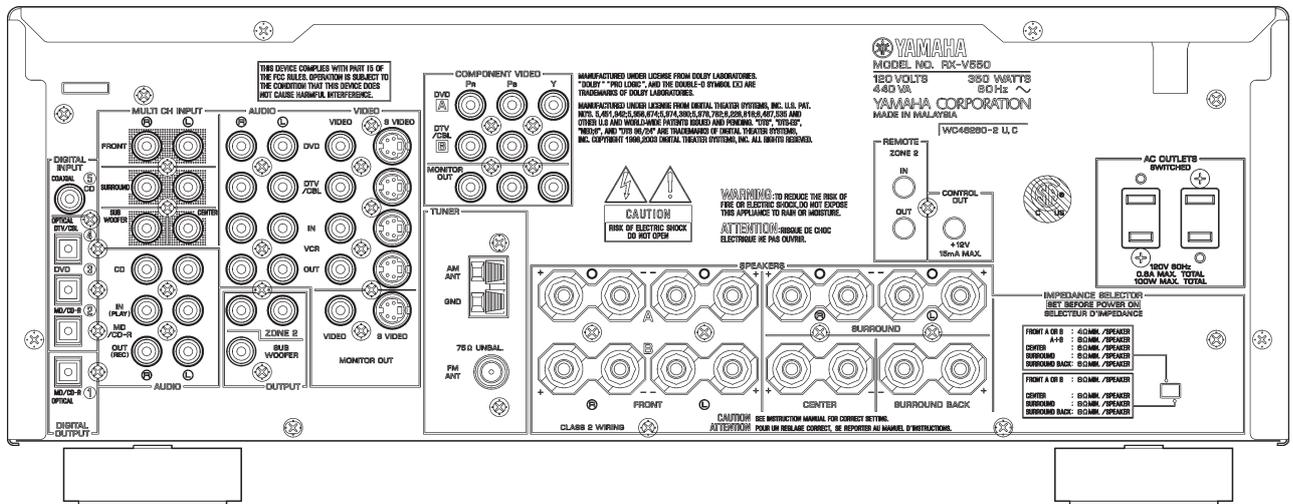
DSP-AX450 (J model)



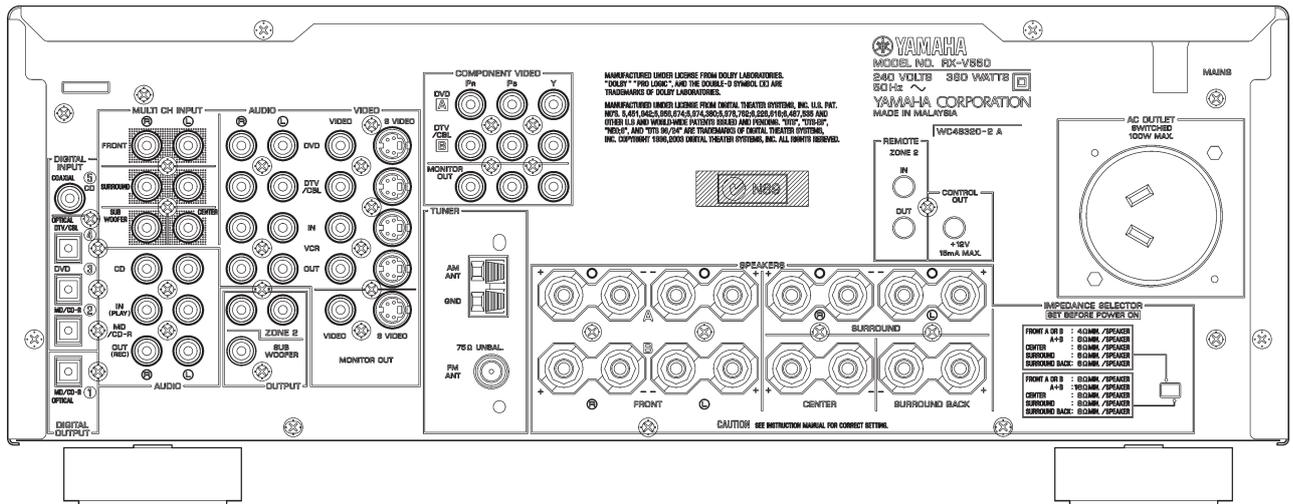
RX-V550/HTR-5750  
 RX-V450/HTR-5740/DSP-AX450

# REAR PANELS

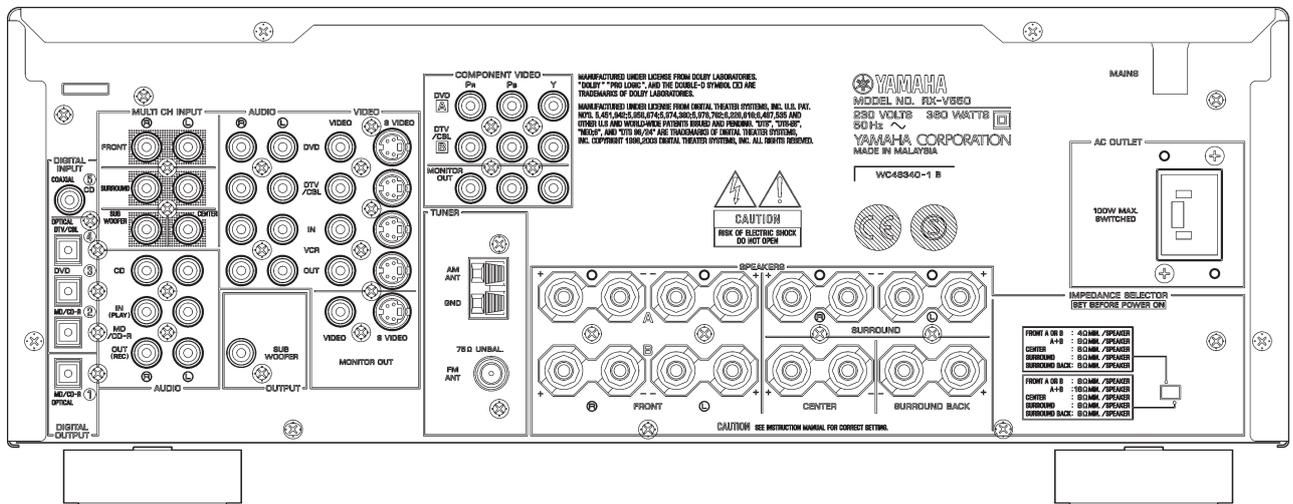
RX-V550 (U, C models)



RX-V550 (A model)



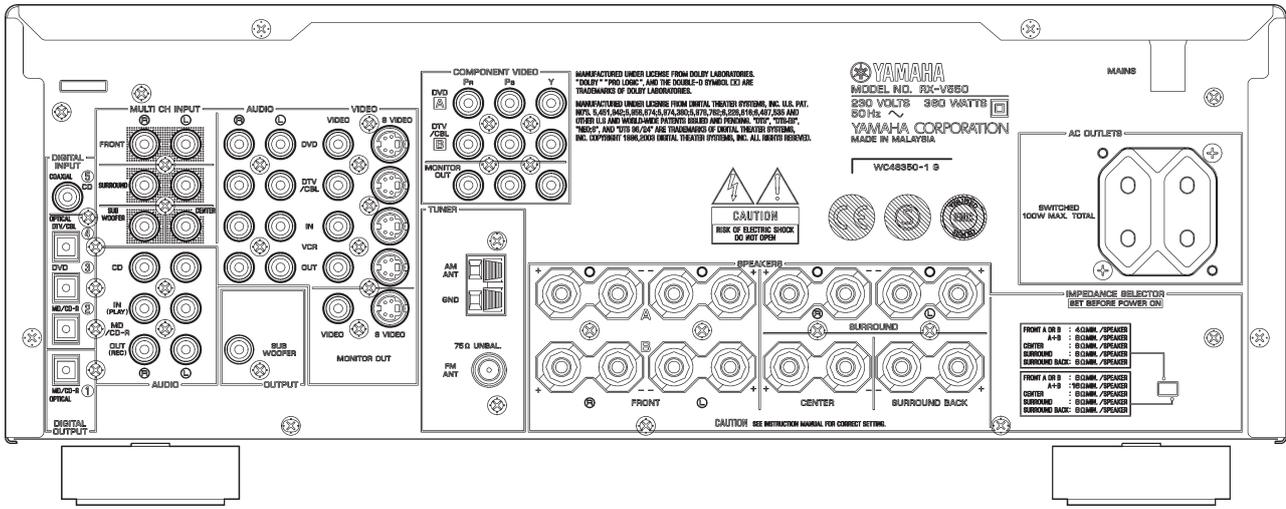
RX-V550 (B model)



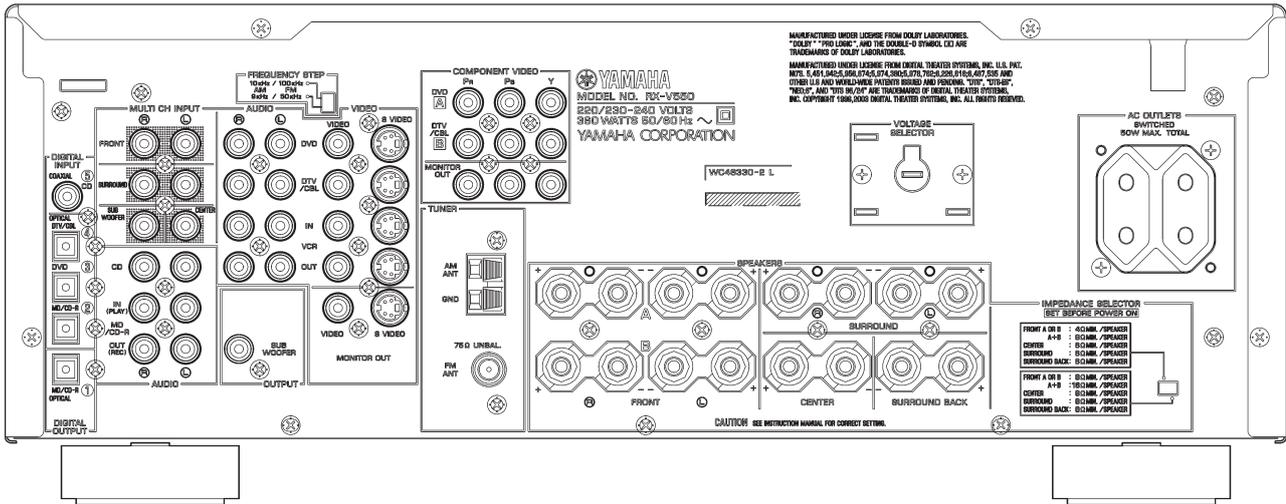
RX-V550/HTR-5750  
RX-V450/HTR-5740/DSP-AX450

RX-V550/HTR-5750  
 RX-V450/HTR-5740/DSP-AX450

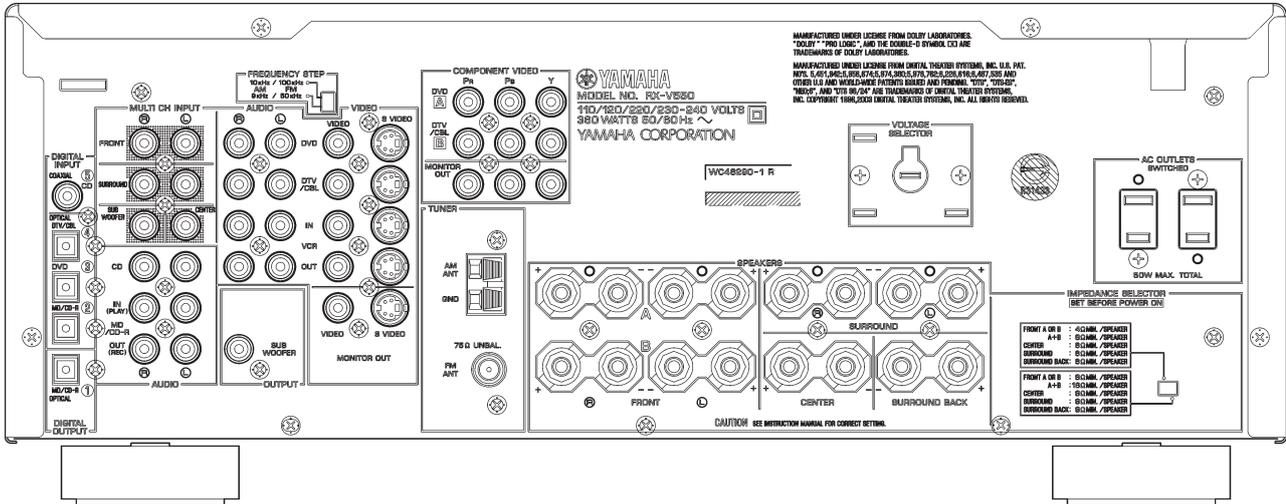
RX-V550 (G, E models)



RX-V550 (L model)



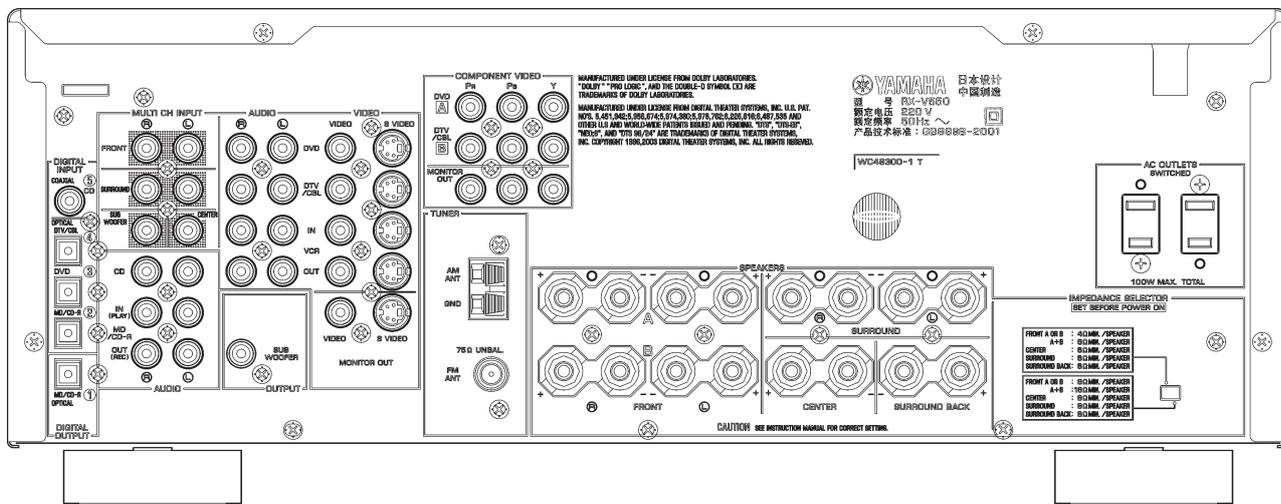
RX-V550 (R model)



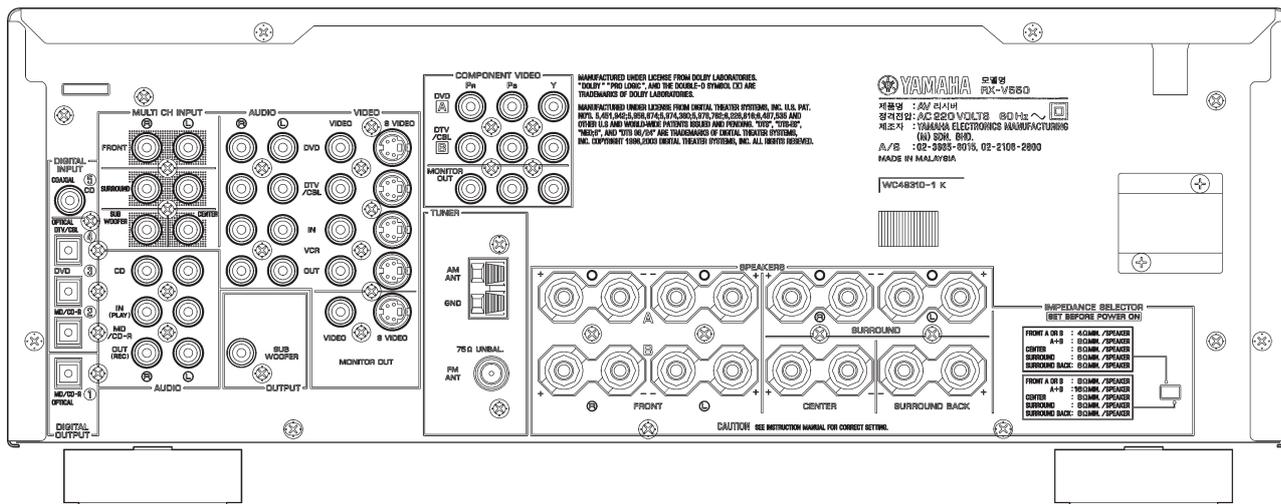
RX-V550/HTR-5750  
 RX-V450/HTR-5740/DSP-AX450



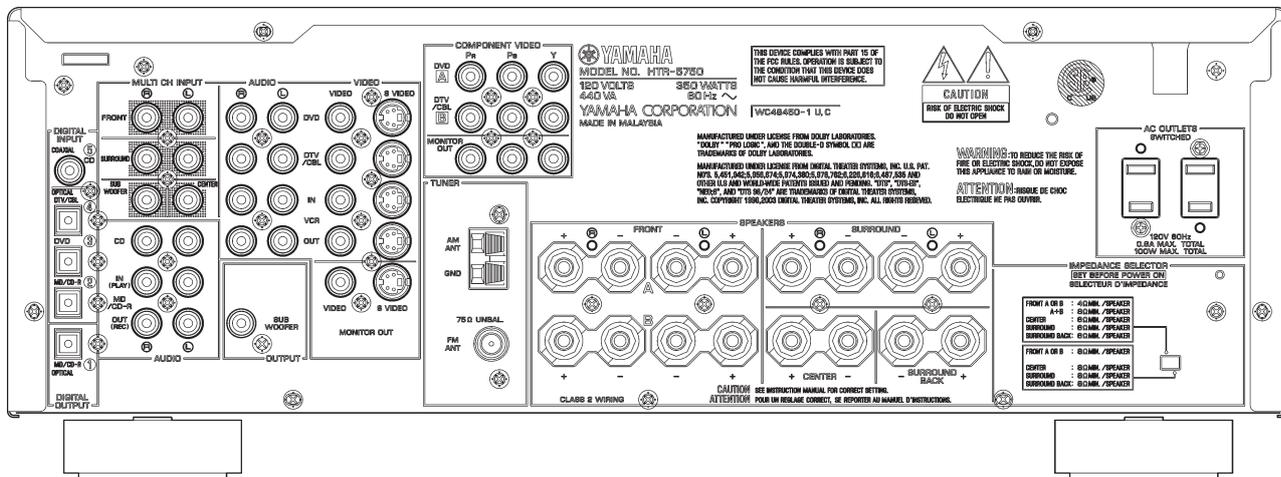
RX-V550 (T model)



RX-V550 (K model)



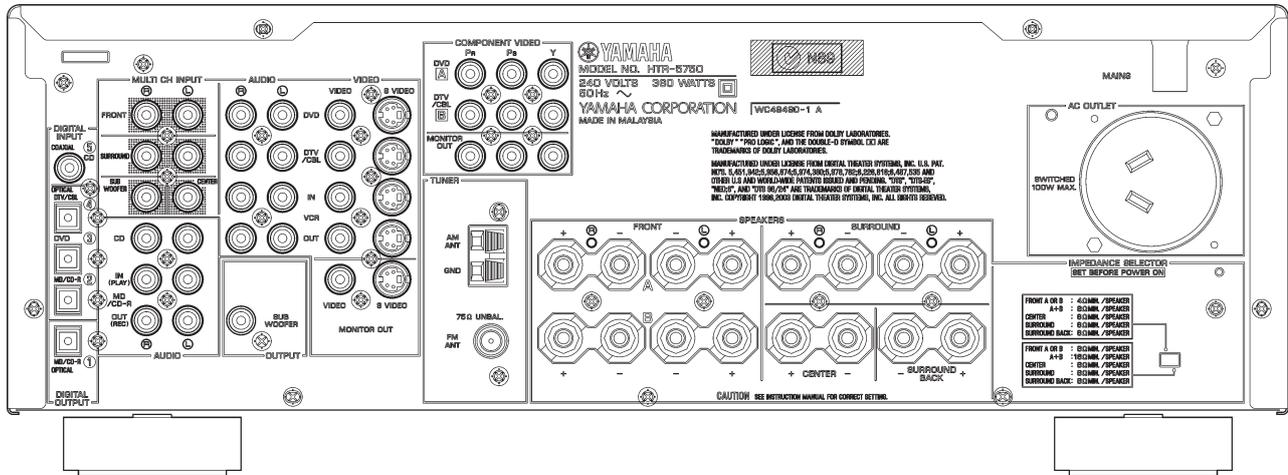
HTR-5750 (U, C models)



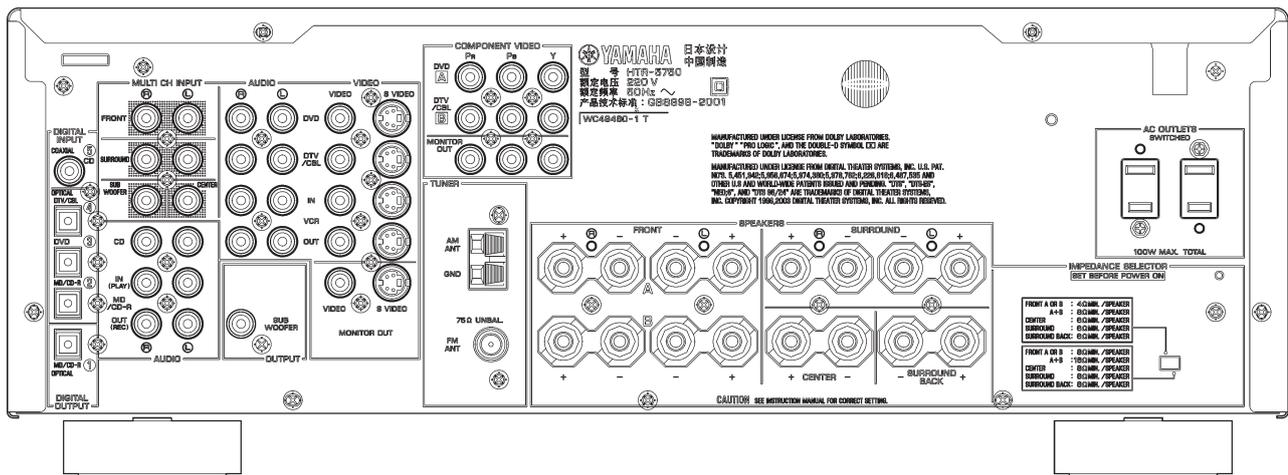
RX-V550/HTR-5750  
RX-V450/HTR-5740/DSP-AX450

RX-V550/HTR-5750  
RX-V450/HTR-5740/DSP-AX450

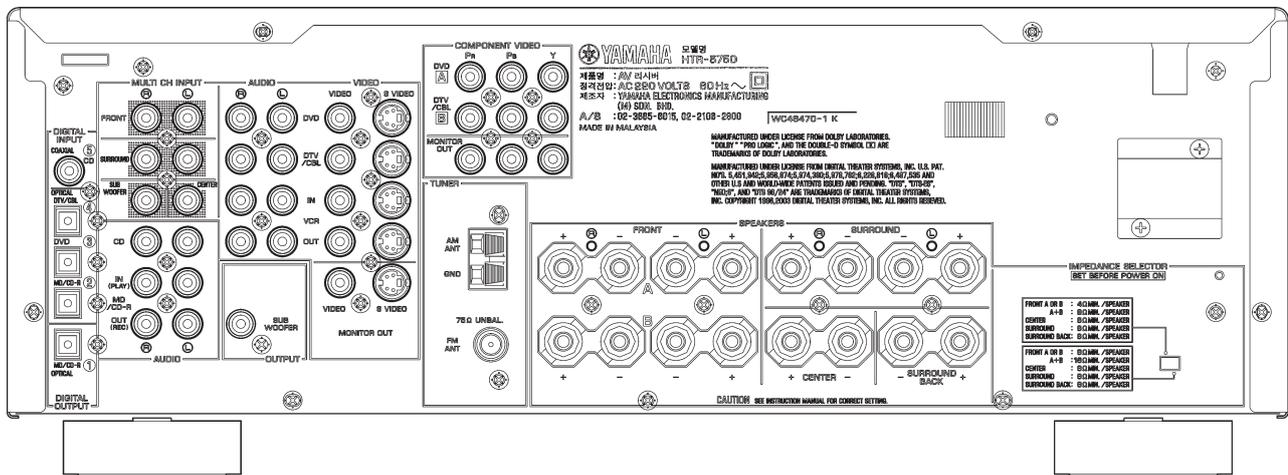
HTR-5750 (A model)



HTR-5750 (T model)



HTR-5750 (K model)

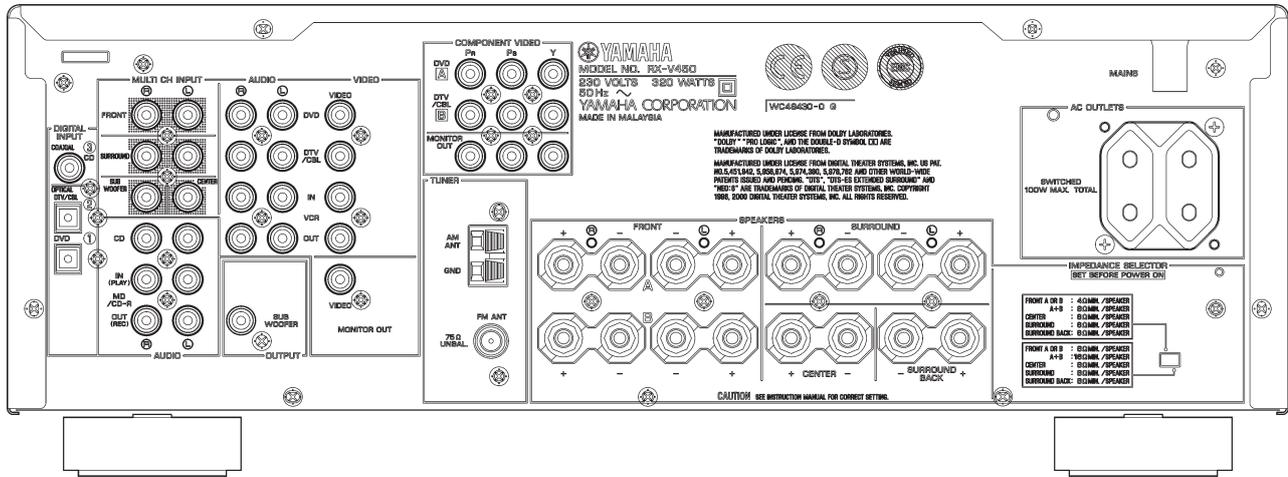


RX-V550/HTR-5750  
RX-V450/HTR-5740/DSP-AX450

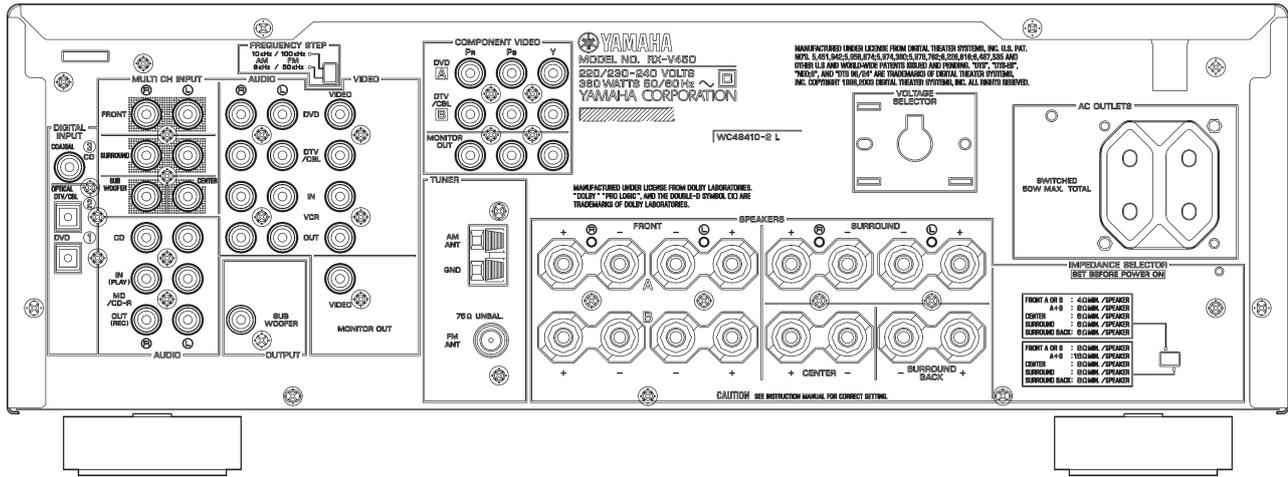


RX-V550/HTR-5750  
 RX-V450/HTR-5740/DSP-AX450

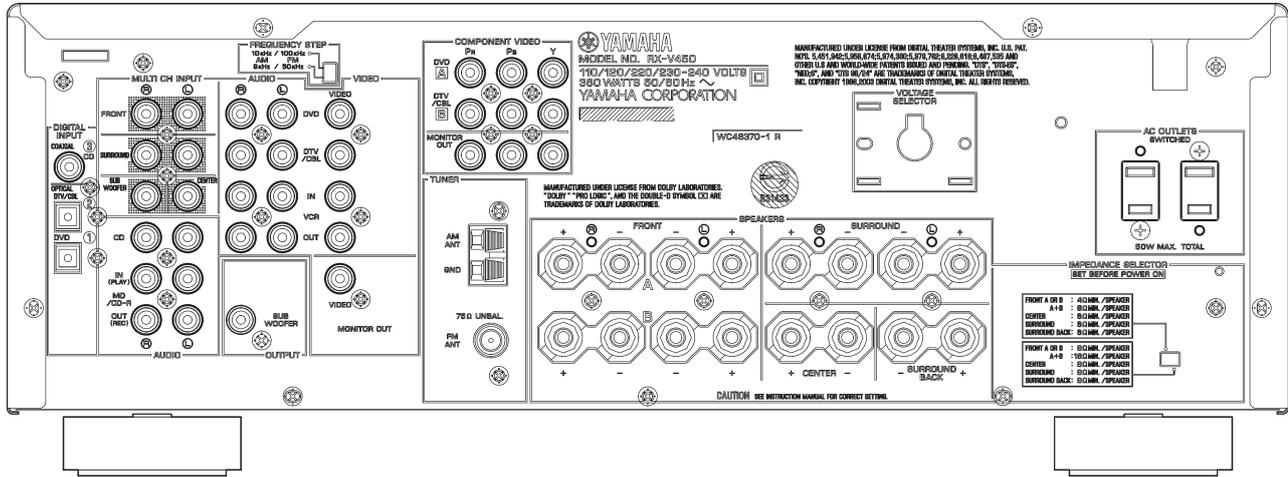
RX-V450 (G, E models)



RX-V450 (L model)

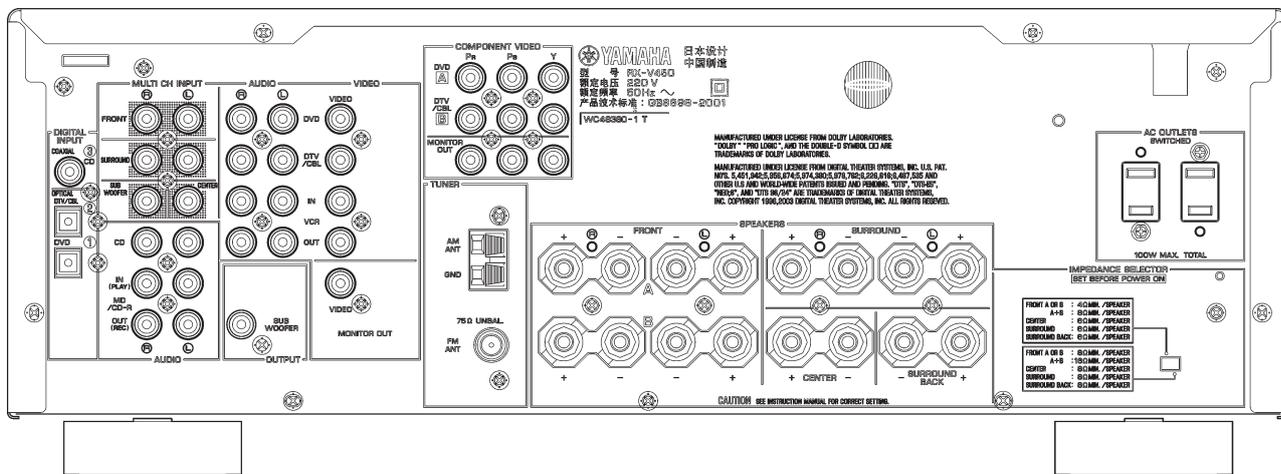


RX-V450 (R model)



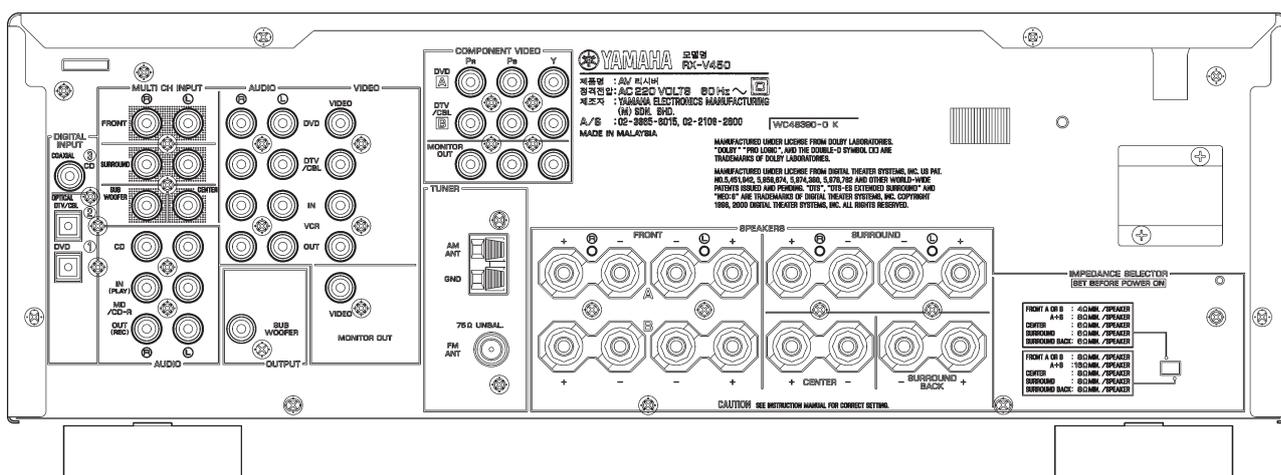
RX-V550/HTR-5750  
 RX-V450/HTR-5740/DSP-AX450

RX-V450 (T model)

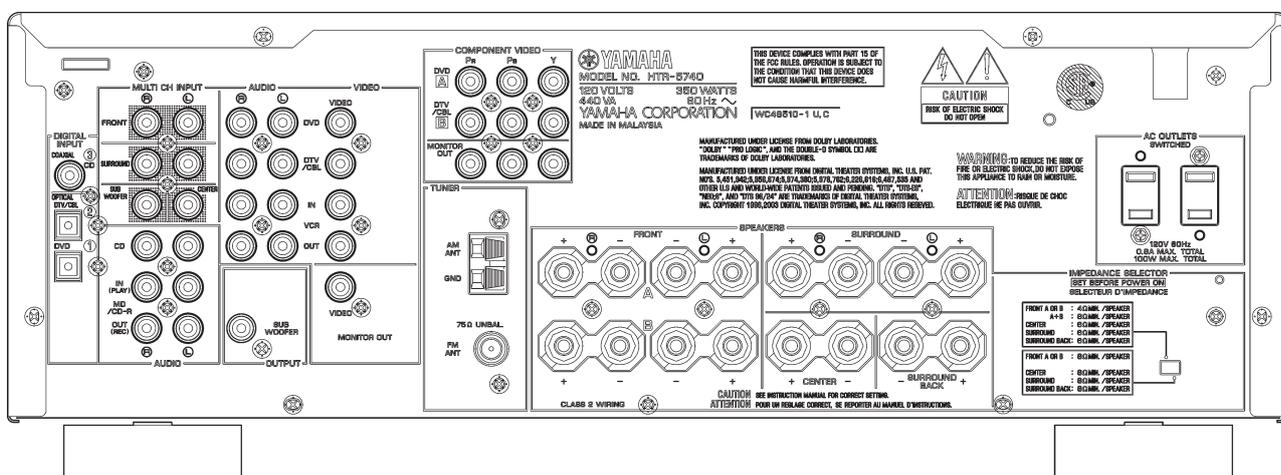


RX-V550/HTR-5750  
RX-V450/HTR-5740/DSP-AX450

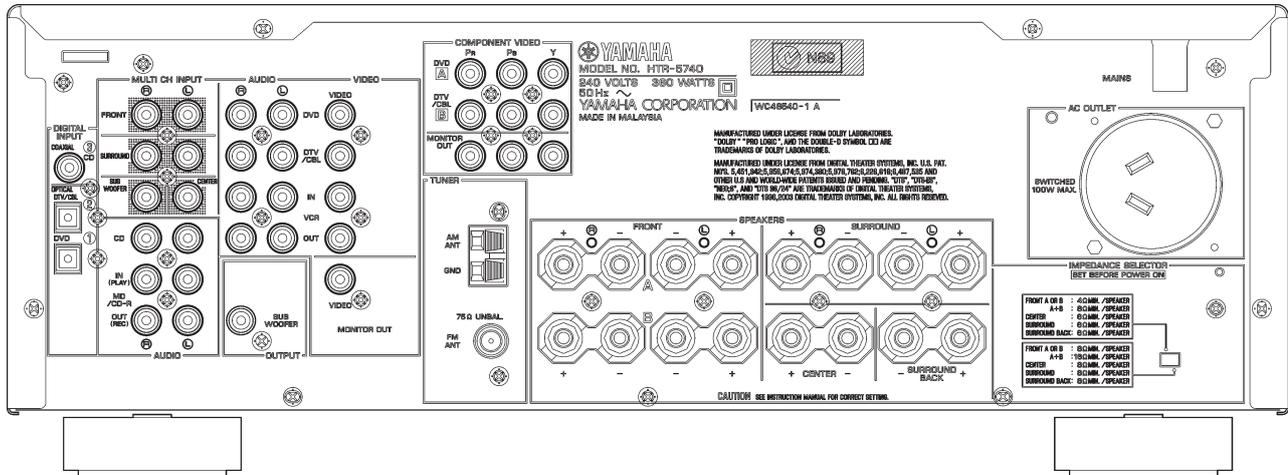
RX-V450 (K model)



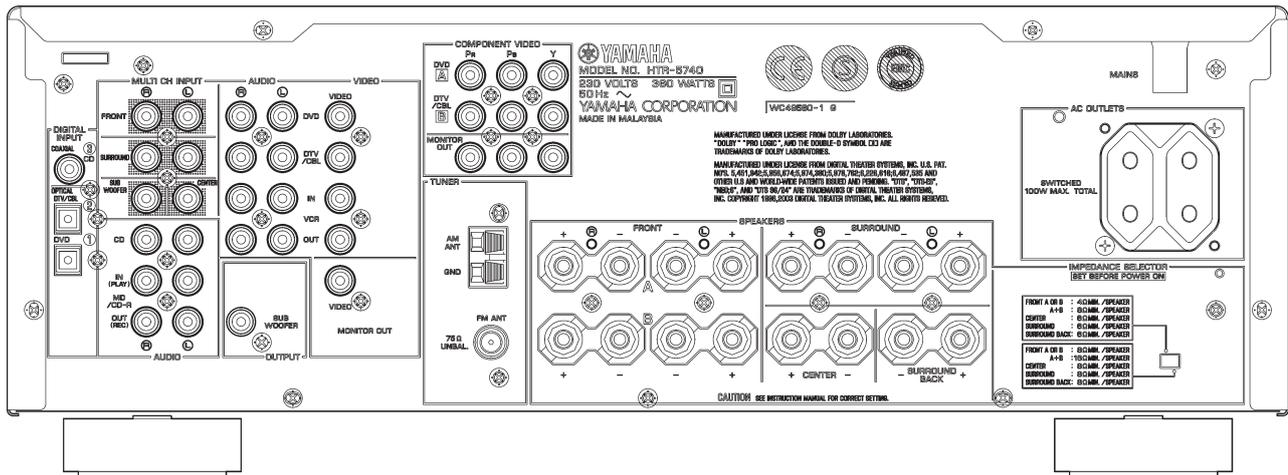
HTR-5740 (U, C models)



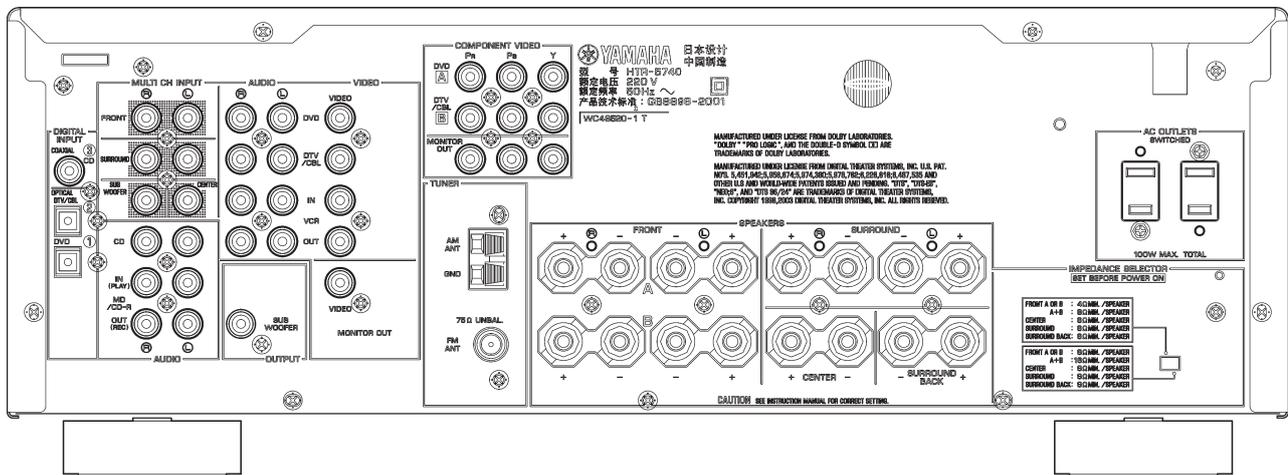
HTR-5740 (A model)



HTR-5740 (G, E models)



HTR-5740 (T model)



RX-V550/HTR-5750  
 RX-V450/HTR-5740/DSP-AX450



## REMOTE CONTROL PANELS

RX-V550 (U, C, A, L, R, T, K models)

HTR-5750 (U, C, A, T, K models)

RX-V450 (U, C, A, L, R, T, K models)

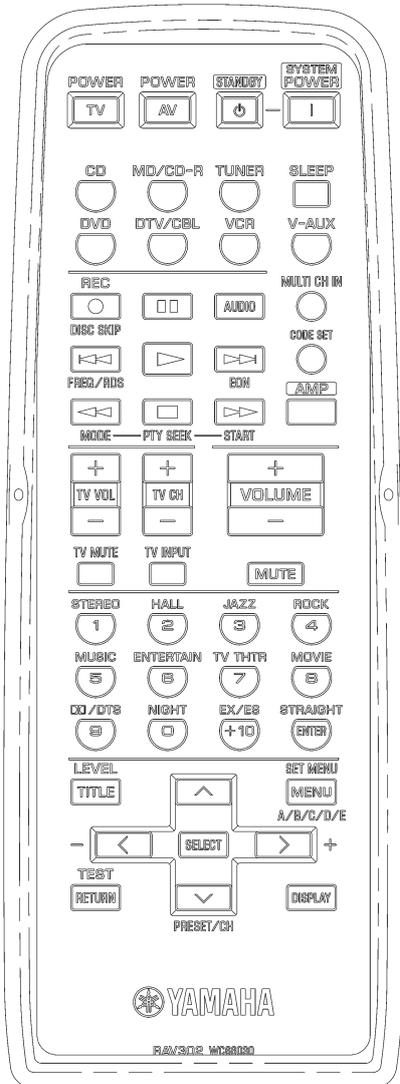
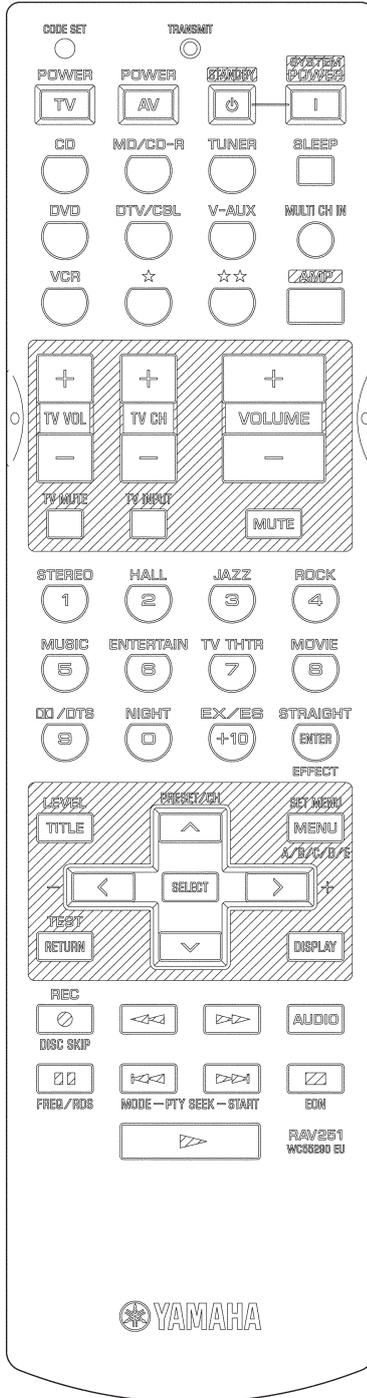
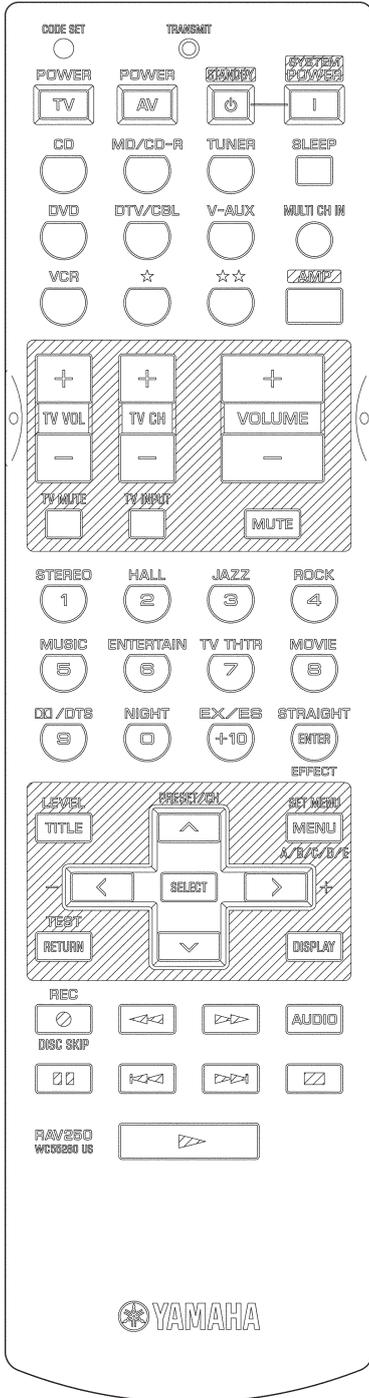
HTR-5740 (U, C, A models)

DSP-AX450 (J model)

RX-V550 (B, G, E models)

RX-V450 (B, G, E models)

HTR-5740 (G, E models)



RX-V550/HTR-5750  
 RX-V450/HTR-5740/DSP-AX450



## ■ SPECIFICATIONS / 参考仕様

■ Audio Section / オーディオ部	
Minimum RMS Output Power (Power Amp. Section) / 定格出力 (パワースペック)	90 W + 90 W 90 W + 90 W 90 W
[RX-V550/HTR-5750] (20 Hz to 20 kHz, 0.06% THD, 8 ohms)	
CENTER	
SURROUND L/R	
SURROUND BACK	
(1 kHz, 0.7% THD, 8 ohms)	
CENTER L/R	105 W + 105 W
SURROUND L/R	105 W + 105 W
SURROUND BACK	105 W + 105 W
[RX-V450/HTR-5740] (20 Hz to 20 kHz, 0.06% THD, 8 ohms)	
FRONT L/R	85 W + 85 W
CENTER	85 W
SURROUND L/R	85 W + 85 W
SURROUND BACK	85 W
(1 kHz, 0.7% THD, 8 ohms)	
FRONT L/R	100 W + 100 W
CENTER L/R	100 W
SURROUND L/R	100 W + 100 W
SURROUND BACK	100 W
[DSP-AX450] (20 Hz to 20 kHz, 0.09% THD, 6 ohms)	
FRONT L/R (8 ohms)	85 W + 85 W
CENTER, REAR CENTER	85 W
SURROUND L/R	85 W + 85 W
SURROUND BACK	85 W
Maximum Power / 実用最大出力 (EIAJ)	
[RX-V550/HTR-5750] (R, T, K models)	130 W + 130 W
FRONT L/R (8 ohms)	130 W
CENTER, REAR CENTER (8 ohms)	130 W + 130 W
SURROUND L/R (8 ohms)	130 W
SURROUND BACK (8 ohms)	
[RX-V450/HTR-5740] (R, T, K models)	125 W + 125 W
FRONT L/R (8 ohms)	125 W
CENTER, REAR CENTER (8 ohms)	125 W + 125 W
SURROUND L/R (8 ohms)	125 W
SURROUND BACK (8 ohms)	
[DSP-AX450]	125 W + 125 W
FRONT L/R (8 ohms)	125 W
CENTER, REAR CENTER (6 ohms)	125 W + 125 W
SURROUND L/R (6 ohms)	125 W
SURROUND BACK (6 ohms)	
DIN Standard Output Power Per Channel / DIN/AV7 – (B, G, E, L models) (1 kHz, 0.7% THD, 4 ohms)	
[RX-V550/HTR-5750]	135 W + 135 W
FRONT L/R	135 W
CENTER	135 W + 135 W
SURROUND L/R	135 W
SURROUND BACK	
[RX-V450/HTR-5740]	130 W + 130 W
FRONT L/R	130 W
CENTER	130 W + 130 W
SURROUND L/R	130 W
SURROUND BACK	
IEC Power / IEC/AV7 – [B, G, E, L models] (R, T, K models)	100 W + 100 W
FRONT L/R (1 kHz, 0.06% THD, 8 ohms)	
FRONT L/R (1 kHz, 0.06% THD, 8 ohms)	95 W + 95 W
Dynamic Power Per Channel / ダイナミックパワー (IHF)	
[RX-V550/HTR-5750]	120/155/190/235 W
FRONT L/R (6/6/4/2 ohms)	
[RX-V450/HTR-5740]	115/150/185/230 W
FRONT L/R (6/6/4/2 ohms)	
[DSP-AX450]	–/125/155/200 W
FRONT L/R (6/6/4/2 ohms)	
Dynamic Headroom / ダイナミックヘッドルーム (U. C. models) (8 ohms)	–/125/155/200 W
[RX-V550/HTR-5750]	1.25 dB
[RX-V450/HTR-5740]	1.31 dB
8 ohms	

Damping Factor / ダンピングファクタ	100 or more
Input Sensitivity / Input Impedance (入力感度/入力インピーダンス)	200 mV / 47 k-ohms
CD, etc.	
MULTI CH IN	
FRONT L/R, CENTER, SURROUND L/R, SUB WOOFER	200 mV / 47 k-ohms
Maximum Input Signal Level / 最大許容入力	2.0 V or more
1 kHz, 0.5% THD	
REC OUT	200 mV / 1.2 k-ohms
Output Level / Output Impedance (出力電圧/出力インピーダンス)	4 V / 1.2 k-ohms
20Hz SUB WOOFER (U. C, A models)	200 mV / 1.2 k-ohms
ZONE2 (RX-V550 U. C, A models)	200 mV / 1.2 k-ohms
Headphone Jack Rated Output / Impedance	
ヘッドフォン出力/出力インピーダンス	150 mV / 100 ohms
CD, etc. (input shorted) SP OUT	
Frequency Response / 周波数特性	±10 dB (60 Hz)
CD, etc. (input shorted) SP OUT	
Total Harmonic Distortion / 全高調波歪率	±10 dB (20 kHz)
CD, etc. (Effect Off) to FRONT L/R SP OUT	
Signal to Noise Ratio / 信号対雑音比 (HF-A Network)	0.06 % or less
CD, etc. (input shorted) SP OUT	
Residual Noise / 残留ノイズ (HF-A Network)	100 dB or more
FRONT L/R SP OUT	
Channel Separation / チャンネルセパレーション	150 μV or less
CD, etc. (input 5.1 k-ohms shorted, 1 kHz/10 kHz)	
60 dB or more/45 dB or more	
Tone Control Characteristics / トーンコントロール特性	
BASS	±10 dB (60 Hz)
Boost/Cut	
TREBLE	±10 dB (20 kHz)
Boost/Cut	
Filter Characteristics / フィルター特性	
FRONT L/R, CENTER, SURROUND L/R SURROUND BACK SP	
Small (H.P.F.)	
fc = 40/60/80/90/100/110/120/160/200 Hz / 12 dB/oct.	
SUBWOOFER (L.P.F.)	
fc = 40/60/80/90/100/110/120/160/200 Hz / 24 dB/oct.	
■ Video Section / ビデオ部	
Video Signal Type / ビデオ信号方式	NTSC
U. C, R, K, J models	
PAL	
A, B, G, E, L, T models	
Video Signal Level / ビデオ信号	1 Vp-p / 75 ohms
S-Video Signal Level / Sビデオ信号	
[RX-V550/HTR-5750/DSP-AX450]	
Y	1 Vp-p / 75 ohms
C	0.286 Vp-p / 75 ohms
Component Signal Level (Except J model)	
Y	1 Vp-p / 75 ohms
Cb/Cr	0.7 Vp-p / 75 ohms
D4-Video Signal Level / D4端子ビデオ信号 (J model)	
Y	1 Vp-p / 75 ohms
Cb/Cr	0.7 Vp-p / 75 ohms
Maximum Input Level / 最大許容入力	1.5 Vp-p or more
Signal to Noise Ratio / 信号対雑音比	50 dB or more
Monitor Out Frequency Response / モニターアウト周波数帯域	
[RX-V550/HTR-5750]	
Composite Video Signal Level,	
S-Video Signal Level (J model)	5 Hz to 10 MHz, 3 dB
S-Video Signal Level (U. C. models)	5 Hz to 10 MHz, 3 dB
Component Video Signal Level	5 Hz to 60 MHz, -3 dB
[RX-V550/HTR-5750/DSP-AX450]	
Composite Video Signal Level	5 Hz to 10 MHz, -3 dB
S-Video Signal Level (J model)	5 Hz to 10 MHz, 3 dB
S-Video Signal Level (U. C. models)	5 Hz to 60 MHz, -3 dB
Component Video Signal Level (Except J model)	
D4-Video Signal Level (J model)	5 Hz to 60 MHz, -3 dB

■ FM Section / FM部	
Tuning Range / 受信周波数範囲	87.5 to 107.9 MHz
U. C. models	87.5 to 108.0 MHz
A, B, G, E, T, K models	87.5 to 108.0 / 87.5 to 108.00 MHz
L, R models	76.0 to 90.0 MHz
J model	
50dB Outgoing Sensitivity / 50dB SN感度 (IHF)	
(1 kHz, 100% Mod.)	
Mono	2.0 μV (17.3 dB)
Stereo	25 μV (39.2 dB)
Usable Sensitivity / 実用感度 (IHF)	
Mono	1.0 μV (11.2 dB)
Selectivity / 選択度	
Signal to Noise Ratio / 信号対雑音比 (IHF)	70 dB
Mono / Stereo	
Harmonic Distortion / 歪率	76 dB / 70 dB
(1 kHz)	
Mono/Stereo	0.2 / 0.3 %
Stereo Separation / ステレオセパレーション	
1 kHz	42 dB
Frequency Response / 周波数特性	
20 Hz to 15 kHz	+0.5 / -2 dB
Antenna Input / アンテナ入力	
75 ohms unbalanced	
■ AM Section / AM部	
Tuning Range / 受信周波数範囲	530 to 1,710 kHz
U. C. models	531 to 1,611 kHz
A, B, G, E, T, K, J models	530 to 1,710 / 531 to 1,611 kHz
L, R models	
Usable Sensitivity / 実用感度	
300 μV/m	
Antenna / アンテナ入力	
Loop Antenna	
■ General / 総合	
Power Supply / 電源電圧	
U. C. models	AC 120 V, 60 Hz
A model	AC 240 V, 50 Hz
B, G, E, models	AC 230 V, 50 Hz
L model	AC 220/230-240 V, 50/60 Hz
R model	AC 110/120/220/230-240 V, 50/60 Hz
T model	AC 220 V, 50 Hz
K model	AC 220 V, 60 Hz
J model	AC 100V, 50/60 Hz
Power Consumption / 消費電力	
U. C. models	350 W / 440 VA
A, B, G, E, L, R, T, K models	360 W
J model	245 W
Standby Power Consumption (reference data) / 待機消費電力	
(参考値) AC240 V / 50 Hz	700 W
Maximum Power Consumption [R model]	
(6ch Drive, 10% THD)	
AC Outlets / ACアウトレット	
2 Switched Outlets	
U. C, G, E, T, J models	100 W max. total
L, R models	50 W max. total
1 Switched Outlet	
A, B models	100 W max.
Dimensions / 寸法 (W x H x D)	
RX-V550	435 x 171 x 420 mm (17-1/8" x 6-3/4" x 16-1/2")
HTR-5750/RX-V450/HTR-5740/DSP-AX450	
HTR-5750/RX-V450/HTR-5740/DSP-AX450	435 x 161 x 416 mm (17-1/8" x 6-5/16" x 16-3/8")
Weight / 質量	
11.0 kg (24 lbs. 4 oz.)	
Finish / 仕上げ	
RX-V550	
Gold color (U. C, R, T, K) models	
Titanium color (B, G, E, F, R) models	
Black color (U. C, A, B, G, E, F, R) models	
Gold color (T, K) models	
Black color (U. C, O) models	
Silver color (U. C, A, B, G, E, F, R) models	
Black color (U. C, A, B, G, E, F, R) models	
Silver color (C, L, R) models	
Titanium color (B, G, E, models)	
HTR-5750	
Gold color (U. C, A, B, G, E, F, R) models	
Black color (U. C, A, B, G, E, F, R) models	
Silver color (C, L, R) models	
Titanium color (B, G, E, models)	
RX-V450	
Gold color (U. C, A, B, G, E, F, R) models	
Black color (U. C, A, B, G, E, F, R) models	
Silver color (C, L, R) models	
Titanium color (B, G, E, models)	

HTR-5740	Gold color (T, K) models
	Black color (U. C, G, E) models
	Silver color (U. C, A, G, E) models
DSP-AX450	Gold color (J) model
	Silver color (J) model
Accessories / 付属品	
Remote Control x 1, Batteries (Manganese Dry) x 4 (RAV250/RAV251) / x 2 (RAV302), Indoor FM Antenna x 1, AM Loop Antenna x 1, PAL 75300 Socket [B model]	

\* Specifications are subject to change without notice due to product improvements.

※ 参考仕様および外観は予告なく変更されることがあります。

U	..... U.S.A. model	C	..... Canadian model
A	..... Australian model	B	..... British model
G	..... European model	E	..... South European model
L	..... Singapore model	R	..... General model
T	..... Chinese model	K	..... Korean model
J	..... Japanese model		

**DOLBY**  
**DIGITAL EX**  
**PRO LOGIC**

Manufactured under license from Dolby Laboratories. "Dolby", "Pro Logic", "Surround EX", and the double-D symbol are trademarks of Dolby Laboratories.

ドルビーラボラトリーズからの実施権に基づき製造されています。ドルビー、DOLBY、ドルビーデジタル、PRO LOGIC、SURROUND EXおよびデジタルEXは、ドルビーラボラトリーズの商標です。

"SILENT CINEMA" is a trademark of YAMAHA CORPORATION. 「サイレントシアター／SILENT THEATER」はヤマハ株式会社の登録商標です。

**DTS**  
**ES**  
**PRO LOGIC**

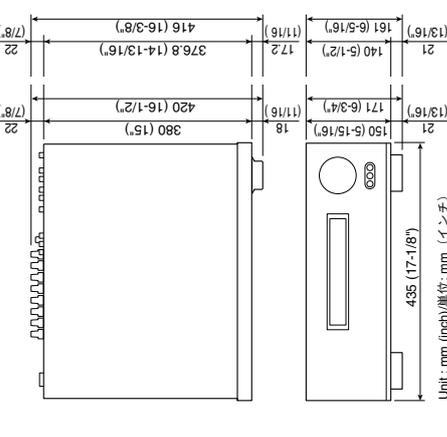
"DTS" and "DTS-ES Digital Surround" and "Neo:6" are trademarks of Digital Theater Systems, Inc.

DTS, DTS-ES デジタルサラウンドおよびNeo:6はデジタルシアターシステムの登録商標です。

**AAC**

AAC ロゴマークはドルビーラボラトリーズの商標です。

• DIMENSIONS / 寸法図



• Set Menu Table / セットメニュー

CATEGORY	MAIN MENU	SUB MENU	SELECT MENU	VALUE [INITIAL]
BASIC SETUP		ROOM: S > M L	S / [M] / L	
		SUBWOOFER: YES	[YES] / NONE	
		SPEAKER: 6spk	2 / 3 / 4 / 5 / [6]	
		> SET CANCEL	[SET] / CANCEL	
		CHECK OK? : YES	[YES] / NO	
		CENTER: SML	NONE / [SML] / LRG	
		FRONT: LARGE	SMALL / [LARGE]	
		SURR L: SML	NONE / [SML] / LRG	
		SURR B: SML	NONE / [SML] / LRG	
		BASS OUT: BOTH	SWFR / FRONT / [BOTH]	
MANUAL SETUP	1 SOUND MENU	Cross Over: 80Hz	40 / 60 / [80] / 100 / 120 / 160 / 200 Hz	
		SWFR PHASE: NRM	[NRM] / REV	
		L	..... R	[CENTER] ± 10 step
		C	.....	
		RL	.....	
		RC	.....	
		RR	.....	
		SWFR	.....	
		UNIT: feet	[feet] / meters	
		FRONT L: 10.0ft	feet: 1.0 to 80.0 ft [7.0ft] / 0.5 ft step	
FRONT R: 10.0ft				
CENTER: 10.0ft				
SURR L: 10.0ft				
SURR R: 10.0ft				
SURR B: 7.0ft				
SWFR: 10.0ft				
FRONT L: 3.00m	meters: 0.30 to 24.00 m [3.00m] / 0.10 m step			
FRONT R: 3.00m				
CENTER: 3.00m				
SURR L: 3.00m				
SURR R: 3.00m				
SURR B: 3.00m				
SWFR: 3.00m				
TEST: > OFF ON	[OFF] / ON			
D) CENTER GEQ		100Hz - - 0	-6 dB to +6 dB [0 dB] / 0.5 STEP	
		300Hz - - 0		
		1kHz - - 0		
		3kHz - - 0		
		10kHz - - 0		
		SP LIFE: 0	-20 dB to 0 dB [0 dB] / 1 STEP	
		HP LIFE: 0	-20 dB to 0 dB [0 dB] / 1 STEP	
		SP D. R: MAX	MIN / STD / [MAX]	
		HP D. R: MAX	MIN / STD / [MAX]	
		MUTE: MUTE	-20 dB / [MUTE]	
2 INPUT MENU	(Except RX-V550)	DELEY: 0 ms	0 ms to 160 ms / 1 step	
		DUAL MONO: MAIN	[MAIN] / SUB / ALL	
		C. V (A): DVD	[DVD] / VCR / V-AUX / DTV/CBL	
		C. V (B): DVT/CBL	DVD / VCR / V-AUX / [DTV/CBL]	
		OUT (1): MD/CDD-R	[MD/CDD-R] / CD / VCR / V-AUX / DTV/CBL / DVD	
		IN (2): MD/CDD-R	[MD/CDD-R] / CD / VCR / V-AUX / DTV/CBL / DVD	
		IN (3): DVD	MD/CDD-R / CD / VCR / V-AUX / [DTV/CBL] / DVD	
		IN (4): DTV/CBL	MD/CDD-R / CD / VCR / V-AUX / [DTV/CBL] / DVD	
		> AUTO / LAST	[AUTO] / LAST	
		DIMMER: 0	-4 to 0 / 1 step	
3 OPTION MENU	A) DISPLAY SET	V CONV: ON	OFF / [ON]	
		MEM. GUARD: OFF	[OFF] / ON	
		C) PARAM. INI		
		D) ZONE SET	[FRONT] / ZONE B	

• The variable range of the parameter (Min/Max/Step) / パラメーターの可変範囲 (最小/最大/ステップ)

Parameter	Unit
DSP LEVEL	-6/+3/1 dB
DELAY	1/99/1 ms

Parameter	Unit
CT LEVEL	0/100/1 %
SL LEVEL	0/100/1 %
SR LEVEL	0/100/1 %
SB LEVEL	0/100/1 %

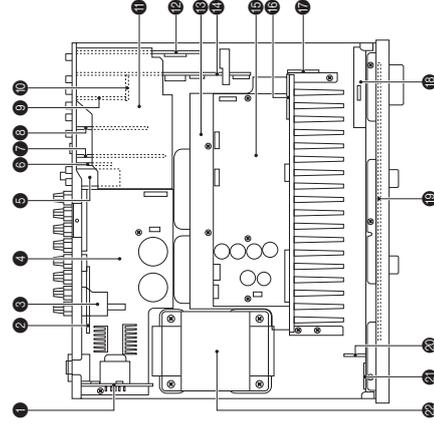
Parameter	Unit
PLI/PLIX	PLI/PLIX
PANORAMA	OFF/ON
DIMENSIONS	-3/+3/1
CT WIDTH	0/7/1

Parameter	Unit
C. IMAGE	0/0.5/0.1

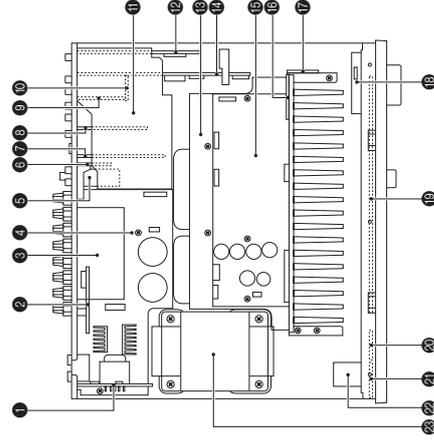
■ INTERNAL VIEW

RX-V550



- 1 SUBTRANS P.C.B.
- 2 POWER (2) P.C.B. (R, L models only)
- 3 FUNCTION (5) P.C.B. (U, C, A models only)
- 4 MAIN (2) P.C.B.
- 5 Tuner
- 6 FUNCTION (7) P.C.B.
- 7 FUNCTION (3) P.C.B.
- 8 FUNCTION (4) P.C.B.
- 9 FUNCTION (8) P.C.B.
- 10 FUNCTION (6) P.C.B.
- 11 FUNCTION (2) P.C.B.
- 12 DSP P.C.B.
- 13 MAIN (1) P.C.B.
- 14 FUNCTION (1) P.C.B.
- 15 POWER (1) P.C.B.
- 16 MAIN (7) P.C.B.
- 17 MAIN (4) P.C.B.
- 18 OPERATION (4) P.C.B.
- 19 OPERATION (1) P.C.B.
- 20 OPERATION (3) P.C.B.
- 21 OPERATION (2) P.C.B.
- 22 Power Transformer

HTR-5750/RX-V450/HTR-5740/DSP-AX450



- 1 SUBTRANS P.C.B.
- 2 POWER (2) P.C.B. (R, L models only)
- 3 VIDEO P.C.B. (DSP-AX450 only)
- 4 MAIN (2) P.C.B.
- 5 Tuner
- 6 FUNCTION (7) P.C.B. (Except DSP-AX450)
- 7 FUNCTION (3) P.C.B.
- 8 FUNCTION (4) P.C.B.
- 9 FUNCTION (8) P.C.B.
- 10 FUNCTION (6) P.C.B.
- 11 FUNCTION (2) P.C.B.
- 12 DSP P.C.B.
- 13 MAIN (1) P.C.B.
- 14 FUNCTION (1) P.C.B.
- 15 POWER (1) P.C.B.
- 16 MAIN (7) P.C.B.
- 17 MAIN (5) P.C.B.
- 18 OPERATION (4) P.C.B.
- 19 OPERATION (1) P.C.B.
- 20 OPERATION (5) P.C.B.
- 21 OPERATION (2) P.C.B.
- 22 OPERATION (3) P.C.B.
- 23 Power Transformer

**RX-V550**

**DISASSEMBLY PROCEDURES**

(Remove parts in the order as numbered.)  
Disconnect the power cable from the AC outlet.

**1. Removal of Top Cover**

- a. Remove 4 screws (①) and 4 screws (②). (Fig. 1)
- b. Slide the Top Cover rearward to remove it. (Fig. 1)

**2. Removal of Front Panel Unit**

- a. Remove 2 Knobs. (Fig. 1)
- b. Remove 6 screws (③) and then remove the Front Panel Unit. (Fig. 1)

**3. Removal of Plate Side**

- a. Remove 2 push rivets (④). (Fig. 1)
- b. Remove the Plate Side. (Fig. 1)

**4. Removal of Sub Chassis Unit**

- a. Remove 2 screws (⑤) and then slide the Sub Chassis Unit forward. (Fig. 1)
- b. Loosen the harness fixture fixing the cable.
- c. Remove CB306, CB309, CB505 and CB863 and then remove the Sub Chassis Unit. (Fig. 1)

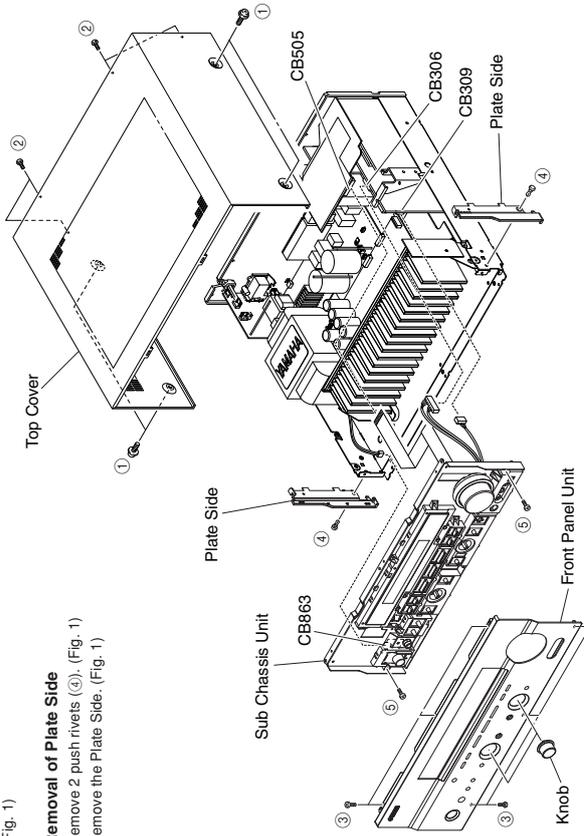


Fig. 1

**5. Removal of DSP P.C.B.**

- a. Remove 1 screw (⑥). (Fig. 2)
- b. Remove 7 screws (⑦). (Fig. 3)
- c. Remove CB2. (Fig. 2)
- d. Lift up the FUNCTION (2) P.C.B. and remove the CB1. (Fig. 2)
- e. Remove the DSP P.C.B. with the Support/DSP. (Fig. 2)

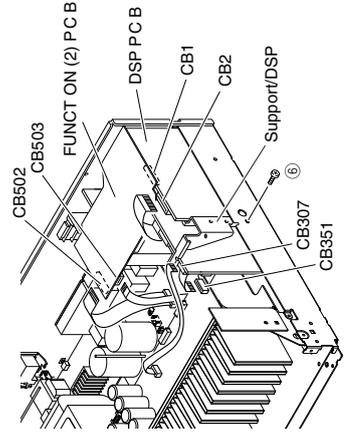


Fig. 2

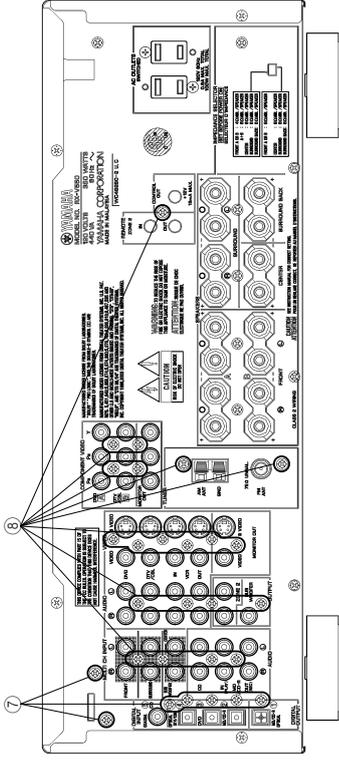


Fig. 3

**6. Removal of FUNCTION (1) ~ (8) P.C.B.s and Tuner**

- a. Remove CB307, CB351, CB502 and CB503. (Fig. 2)
- b. Remove 21 (U, C, A models) / 20 (except U, C, A models) screws (⑧). (Fig. 3)
- c. Remove FUNCTION (1) ~ (8) P.C.B.s. and the Tuner. (Fig. 4)

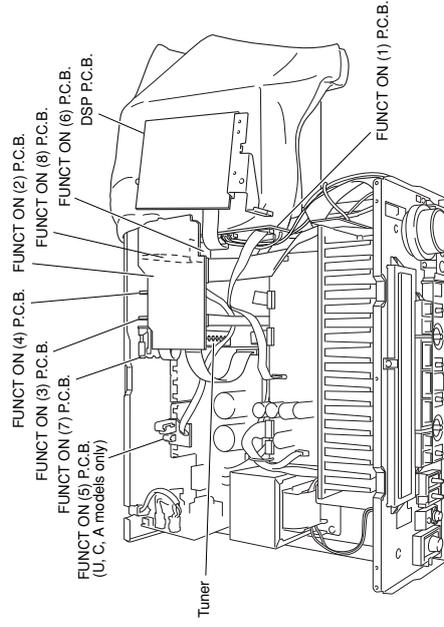


Fig. 4

### 7. Removal of MAIN (1), MAIN (5), MAIN (7) and POWER (1) P.C.B.s

- a. Remove CB351, CB354 and CB503. (Fig. 5)
- b. Remove 2 screws (9), 2 screws (10) and 3 screws (11). (Fig. 5)
- c. Remove MAIN (1), MAIN (5), MAIN (7) and POWER (1) P.C.B.s. (Fig. 5)

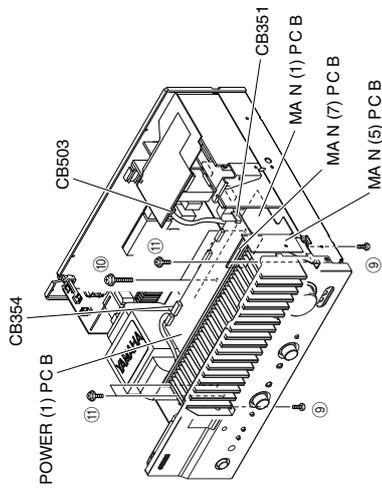


Fig. 5

#### When checking the P.C.B.:

- Put a Cloth over the equipment. Put the MAIN (1), (5), (7) and POWER (1) P.C.B.s together with the heat sink upright on the Cloth and check them. (Fig. 6)
- Reconnect all cables (connectors) that have been disconnected.
- When connecting the flat cable, use care for the polarity.
- The P.C.B. removed from the rear panel does not work because its grounding is loose. Be sure to connect the ground of each P.C.B. to the chassis or GND with a jumper wire or the like.

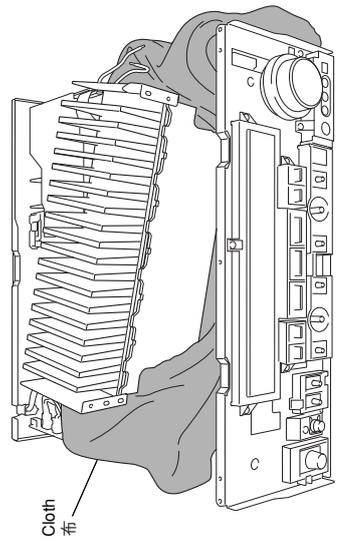


Fig. 6

## ■ DISASSEMBLY PROCEDURES / 分解手順

(Remove parts in the order as numbered.)  
Disconnect the power cable from the AC outlet.

(番号順に部品を取り外してください。)  
AC電源コンセントから、電源コードを抜いてください。

### 1. トップカバーの外し方

- a. ①のネジ4本、②のネジ4本を外します。(Fig. 1)
- b. トップカバーを後方へスライドさせ、取り外します。(Fig. 1)

### 2. フロントパネルユニットの外し方

- a. ③のネジ7本を外し、フロントパネルユニットを前方へ引き出します。(Fig. 1)
- b. ケーブルを固定している束線止めをゆるめます。
- c. CB306、CB309、CB505、CB506、CB863を外し、フロントパネルユニットを取り外します。(Fig. 1)

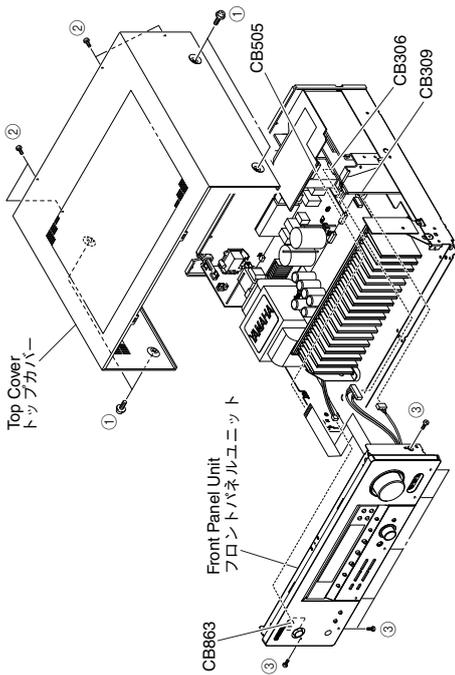


Fig. 1

### 3. Removal of DSP P.C.B.

- a. Remove 1 screw (4). (Fig. 2)
- b. Remove 7 (HTR-5750), 5 (RX-V450, HTR-5740) screws (5). (Fig. 3)
- c. Remove CB2. (Fig. 2)
- d. Lift up the FUNCTION (2) P.C.B. and remove the CB1. (Fig. 2)
- e. Remove the DSP P.C.B. with the Support/DSP. (Fig. 2)

### 3. DSP P.C.B.の外し方

- a. ④のネジ1本を外します。(Fig. 2)
- b. ⑤のネジ5本を外します。(Fig. 3)
- c. CB2を外します。(Fig. 2)
- d. FUNCTION (2) P.C.B.を上部に浮かせCB1を外します。(Fig. 2)
- e. DSP P.C.B.をサポート/DSPと共に取り外します。(Fig. 2)

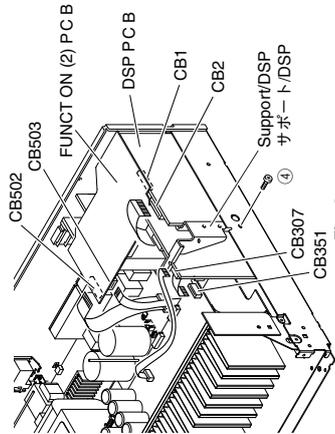
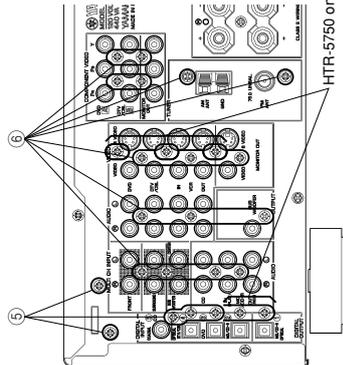


Fig. 2

HTR-5750/RX-V450/HTR-5740



HTR-5750 only

DSP-AX450

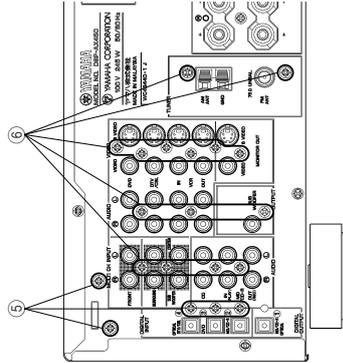


Fig. 3

4. Removal of FUNCTION (1), (2), (4), (6) ~ (8) P.C.B.s and Tuner

- a. Remove CB307, CB351, CB502 and CB503. (Fig. 2)
- b. Remove 19 (HTR-5750), 16 (RX-V450, HTR-5740) screws (6). (Fig. 3)
- c. Remove FUNCTION (1), (2), (4), (6) ~ (8) P.C.B.s. and the Tuner. (Fig. 4)

- a. FUNCTION (1) ~ (4), (6) ~ (8), TUNERの外し方  
CB307, CB351, CB502, CB503を外します。(Fig. 2)
- b. 6のネジ15本を外します。(Fig. 3)
- c. FUNCTION (1) ~ (4), (6) ~ (8), TUNERを取り外します。  
(Fig. 4)

5. Removal of MAIN (1), MAIN (5), MAIN (7) and POWER (1) P.C.B.s

- a. Remove CB351, CB354 and CB503. (Fig. 5)
- b. Remove 2 screws (7), 2 screws (8) and 3 screws (9). (Fig. 5)
- c. Remove MAIN (1), MAIN (5), MAIN (7) and POWER (1) P.C.B.s. (Fig. 5)

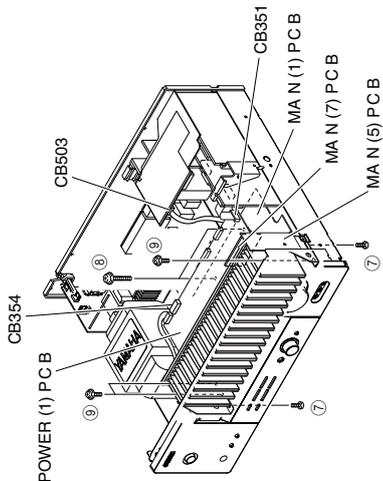


Fig. 5

5. MAIN (1), MAIN (5), MAIN (7), POWER (1) P.C.B.の外し方

- a. CB351, CB354, CB503を外します。(Fig. 5)
- b. 7のネジ2本, 8のネジ2本, 9のネジ3本を外します。(Fig. 5)
- c. MAIN (1), MAIN (5), MAIN (7), POWER (1) P.C.B.を取り外します。(Fig. 5)

When checking the P.C.B.:

- Put a Cloth over the equipment. Put the MAIN (1), (5), (7) and POWER (1) P.C.B.s together with the heat sink upright on the Cloth and check them. (Fig. 6)
- Reconnect all cables (connectors) that have been disconnected.
- When connecting the flat cable, use care for the polarity.
- The P.C.B. removed from the rear panel does not work because its grounding is loose. Be sure to connect the ground of each P.C.B. to the chassis or GND with a jumper wire or the like.

P.C.B.チェックをする場合には

- 布を動かさず、その上にMAIN(1)、(5)、(7)、POWER(1) P.C.B.をヒートシンクと一緒に立ててチェックします。
- 外したケーブル(コネクター)をすべて接続してください。
- フラットケーブルを接続する際、極性に注意してください。
- リアパネルから外したP.C.B.はアースが浮いて動作しませんので、各P.C.B.のアースが浮いて動作しませんように接続してください。

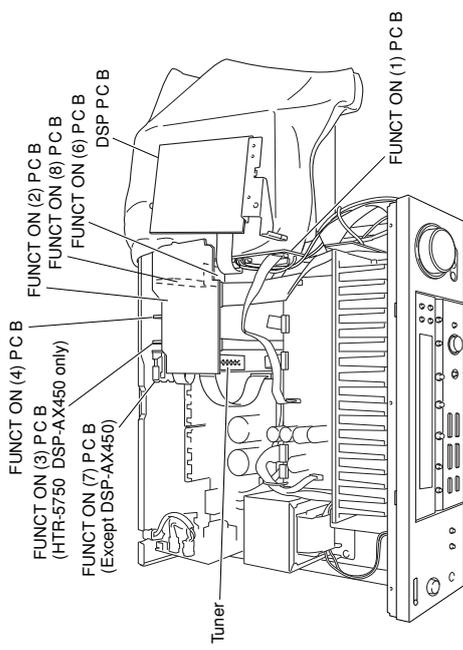


Fig. 4

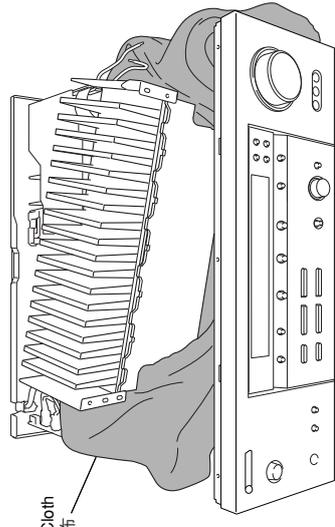


Fig. 6

### ■ SELF DIAGNOSIS FUNCTION (DIAG) / 自己診断機能 (ダイアグ)

This unit has self diagnosis functions that are intended for inspection, measurement and location of faulty point. There are 17 DIAG menu items, each of which has sub-menu items.

Listed in the table below are menu items and sub-menu items. Note that not all menu items listed will apply to the models covered in this service manual.

本機には、検査、測定、不良箇所の発見を目的にした自己診断機能(ダイアグ)があります。ダイアグメニューは17個あり、それぞれにサブメニューがあります。(ダイアグのメニュー操作は本体で行います。) 下表はメニュー一覧です。下表のメニュー項目が、このサービスマニュアル記載のモデルに適用されることは限りません。

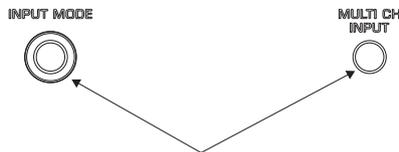
No	DIAG menu	sub-menu
1	DSP THROUGH	1. YSS MARGIN 2. YSS FULL BIT
2	BYPASS	1. ANALOG BYPASS 2. DSP BYPASS
3	RAM THROUGH	1. RAM MARGIN 2. RAM FULL BIT
4	PRO LOGIC / NEO6	1. PRO LOGIC I 2. PRO LOGIC II 3. Neo6
5	SPEAKERS SET	1. FRNT: SML OdB 2. CENTER: NONE 3. LFE/B: FRNT 4. Pres Mix: Sch 5. FRNT GAIN1 6. FRNT GAIN2 7. SURR B Check 8. SURR INPUT 6 9. SURR INPUT 8
6	EXT-INPUT	1. 6CH INPUT 6 2. 6CH INPUT 8
7	MIC CHECK	MIC CHK --dB (Not applied to these models / このモデルには適用されません)
8	DISPLAY CHECK	1. VFD CHECK (Initial display / 初期表示) 2. VFD DISP OFF (All segments OFF / 全セグメント消灯) 3. VFD DISP ALL (All segments ON 100% / 全セグメント点灯100%) 4. VFD DIMMER (All segments ON 50% / 全セグメント点灯50%) 5. CHECKED PATTERN (ON in lattice / 格子状点灯)
9	MANUAL TEST	1. TEST ALL 2. TEST FRNT L 3. TEST CENTER 4. TEST FRNT R 5. TEST SURR R 6. TEST SB R 7. TEST SB L 8. TEST SURR L 9. TEST LFE (Test Tone 35-250Hz)
10	FACTORY PRESET	1. PRESET INHI (memory initialization inhibited / メモリーの初期化禁止) 2. PRESET RSRV (memory initialized / メモリーの初期化)
11	AD DATA CHECK	1. DCIPS (protection) 2. THM/Fan (Not applied to these models / このモデルには適用されません) 3. REC-OUT (Not applied to these models / このモデルには適用されません) 4. IMP SW/POWER LIMIT 5. K0K1 (panel key) 6. FAN DRIVE TEST: HIGH (Not applied to these models / このモデルには適用されません) 7. FAN DRIVE TEST: MID (Not applied to these models / このモデルには適用されません) 8. FAN DRIVE TEST: LOW (Not applied to these models / このモデルには適用されません)
12	V_CONV_STATUS	1. LOW BYTE (Not applied to these models / このモデルには適用されません) 2. HIGH BYTE (Not applied to these models / このモデルには適用されません)

No	DIAG menu	sub-menu
13	IF STATUS	1. INSIDE STATUS 1 (5 Byte) 2. INSIDE STATUS 2 (3 Byte) 3. CHANNEL STATUS 1 (5 Byte) 4. CHANNEL STATUS 2 (5 Byte) 5. CHANNEL STATUS 3 (5 Byte) 6. CHANNEL STATUS 4 (5 Byte) 7. CHANNEL STATUS 5 (4 Byte) 8. BSI 1 (5 Byte) 9. BSI 2 (5 Byte) 10. BSI 3 (5 Byte) 11. BSI 4 (5 Byte) 12. BSI 5 (5 Byte) 13. BSI 6 (5 Byte) 14. BSI 7 (2 Byte) 15. TI 1 (5 Byte) 16. TI 2 (1 Byte) 17. Mute Trigger (5 Byte)
14	DSP RAM CHECK	1. YSS BUS 2. SD BUS
15	PROTECTION SETTING	1. PS L 2. PSH 3. DC L 4. DC H 5. FAN 0 6. FAN 1 7. FAN 2 8. FAN 3 9. FAN 4 10. FAN 5 11. TEMP 12. PL 8 M L: 13. PL 8 M H 14. PL 8 N L: 15. PL 8 N H: 16. PL 6 M L: 17. PL 6 M H: 18. PL 6 N L: 19. PL 6 N H: 20. SW MODE 21. MODEL SETTING 22. TUNER DESTINATION 23. ZONE 2 24. RDS 25. VIDEO FORMAT 26. VERSION 27. CHECK SUM ALL/PROGRAM 28. PORT 29. AAC PORT
16	SOFT SWITCH	1. SW MODE 2. MODEL SETTING 3. TUNER DESTINATION 4. TUNER 5. ZONE 2 6. VIDEO FORMAT 7. VERSION 8. CHECK SUM ALL/PROGRAM 9. PORT 10. AAC PORT
17	ROM VERSION/CHECK SUM/PORT	1. VERSION 2. CHECK SUM ALL/PROGRAM 3. PORT 4. AAC PORT

## ● Starting DIAG

Press the “STANDBY/ON” key while simultaneously pressing those two keys of the main unit as indicated in the figure below.

Keys of main unit / 本体キー



Turn on the power while pressing these keys.  
これらのキーを同時に押しながら、パワーオンする。

## ● Starting DIAG in the protection cancel mode

If the protection function works and causes hindrance to trouble diagnosis, cancel the protection function as described below, and it will be possible to enter the DIAG mode. (The protection functions other than the excess current detect function will be disabled.)

Press the “STANDBY/ON” key while simultaneously pressing those two keys indicated in the figure above. At this time, keep pressing those two keys for 3 seconds or longer.

In this mode, the “SLEEP” segment of the FL display of the main unit flashes to indicate that the mode is DIAG mode with the protection functions disabled.

### CAUTION!

Using this product with the protection function disabled may cause damage to itself. Use special care for this point when using this mode.

## ● Canceling DIAG

[1] Before canceling DIAG, execute setting for FACTORY PRESET of DIAG menu No.10 (Memory initialization inhibited or Memory initialized).

\* In order to keep the user memory stored, be sure to select PRESET INHIBITED (Memory initialization inhibited).

[2] Turn off the power by pressing the “STANDBY/ON” key of the main unit.

## ● ダイアグの起動

本体の下図に示すキーを同時に押しながら “STANDBY/ON” キーを押すと、ダイアグが起動します。

## ● プロテクション解除モードでの起動

プロテクションが動作することにより、故障箇所の診断に支障をきたすような場合は、次の方法によりプロテクションを解除した状態でダイアグモードに入ることができます。(過電流検出以外のプロテクション動作を解除する)

上図のキーを同時に押しながら “STANDBY/ON” キーを押します。このとき、上図のキーを3秒以上押し続けてください。このモードでは本体FLの “SLEEP” セグメントが点滅し、プロテクションを解除した状態でのダイアグモードであることを知らせます。

### 注意！

プロテクションを解除した状態でのダイアグモードは、危険な状態でもプロテクションが作動しないため、動作させると、機器を破壊することがあります。このモードを使用する場合は十分注意してください。

## ● ダイアグの解除

① ダイアグを解除する前に、ダイアグメニューNo.10のFACTORY PRESET (メモリーの初期化禁止/またはメモリーの初期化)の設定をします。

※ ユーザーメモリーを保持したい場合は、必ずPRESET INHIBITED(メモリー初期化禁止)を選択してください。

② 本体の “STANDBY/ON” キーを押し、パワーオフにします。

● Display provided when DIAG started

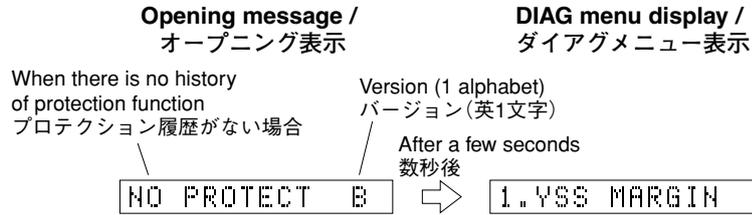
The FL display of the main unit displays the protection function history data and the version (1 alphabet) and the DIAG menu [sub-menu (YSS MARGIN) of DIAG menu No.1 DSP THROUGH] a few seconds later.

● ダイアグ起動時の表示

本体のFLディスプレイにプロテクション履歴情報とバージョン(英1文字)が表示され、数秒後にダイアグメニュー(No.1 DSP THROUGHのサブメニューYSS MARGIN)になります。

When there is no history of protection function:

プロテクション履歴がない場合:



When there is a history of protection function:

プロテクション履歴がある場合:



**Cause:** An excessive current flowed through the power amplifier.

原因： パワーアンプに過電流が流れた。

**Supplementary information:** As current of the power transistor is detected, the abnormal channel can be identified by checking the current detect transistor.

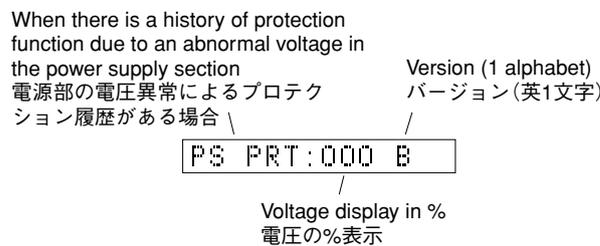
補足： パワートランジスタの電流を検出していますので、電流検出トランジスタをチェックすれば異常チャンネルが特定できます。

Turning on the power without correcting the abnormality will cause the protection function to work immediately and the power supply will instantly be shut off.

異常状態のままパワーオンすると、瞬時にプロテクションがかかり、すぐに電源が切れます。

**Note)**

- Applying the power to a unit without correcting the abnormality can be dangerous and cause additional circuit damage.
- The output transistors in each amplifier channel should be checked for damage before applying any power.
- Amplifier current should be monitored by measuring across the emitter resistors for each channel.



**Cause:** The voltage in the power supply section is abnormal.

原因： 電源部の電圧が異常。

**Supplementary information:** The abnormal voltage is displayed in % based on 5V as 100%.

補足： 異常時の電圧の状態を、5Vを100%とした値で%表示します。

Turning on the power without correcting the abnormality will cause the protection function to work 1 second later and the power supply will be shut off.

異常状態のままパワーオンすると、1秒後にプロテクションがかかり、電源が切れます。



When there is a history of protection function due to abnormal DC output  
DC出力異常によるプロテクション履歴がある場合

Version (1 alphabet)  
バージョン(英1文字)

DC PRT: E

**Cause:** DC output of the power amplifier is abnormal.

**Supplementary information:** The abnormal voltage is displayed in % based on 5V as 100%.

Turning on the power without correcting the abnormality will cause the protection function to work 3 seconds later and the power supply will be shut off.

原因： パワーアンプのDC出力が異常。

補足： 異常時の電圧の状態を、5Vを100%とした値で%表示します。

異常状態のままパワーオンすると、3秒後にプロテクションがかかり、電源が切れます。

When there is a history of protection function due to excessive heat sink temperature  
放熱器の異常温度によるプロテクション履歴がある場合

Version (1 alphabet)  
バージョン(英1文字)

TMP PRT: 000 E

Voltage display in %  
電圧の%表示

**Cause:** The temperature of the heat sink is excessively high.

**Supplementary information:** The abnormal voltage is displayed in % based on 5V as 500%.

Turning on the power without correcting the abnormality will cause the protection function to work 1 second later and the power supply will be shut off.

原因： 放熱器の温度が異常。

補足： 異常時の電圧の状態を、5Vを500%とした値で%表示します。

異常状態のままパワーオンすると、1秒後にプロテクションがかかり、電源が切れます。

- \* Additional causes of protection can be due to loose connections, associated components, CPU, etc.
- \* For the protection voltage value, refer to DIAG menu No.11 described later.

- ※ 前記の異常原因の他に、コネクタのはずれやCPU周辺などに原因がある場合があります。
- ※ プロテクションの電圧値に関しては、後述のダイアグメニューNo.11を参照してください。

#### ● History of protection function

When the protection function has worked, its history is stored in memory with a backup. Even if no abnormality is noted while servicing the unit, an abnormality which has occurred previously can be defined as long as the backup data has been stored.

The history of the protection function is cleared when DIAG is cancelled by selecting PRESET RESERVED (Memory initialized) of DIAG menu No.10 or when the backup data is erased.

#### ● プロテクションの履歴

プロテクションが働いた場合、履歴をバックアップして記憶しています。サービスのときに異常が認められなくても、バックアップが残っていれば、お客様のところで起きた異常を区別できます。

プロテクションの履歴は、ダイアグメニューNo.10で PRESET RESERVED(メモリーの初期化)を選んでダイアグを解除した場合や、バックアップが消えたときにはクリアされます。

#### ● Display during menu operation

During the DIAG operation, the function at work is indicated on the FL indicator. The contents displayed during the function operation are described in the later section on details of functions.

#### ● メニュー動作中の表示

ダイアグ中、本体のFLディスプレイに動作中の機能が表示されます。機能動作中の表示内容については、後述の機能詳細で記述します。

## ● Operation procedure of DIAG menu and SUB-MENU

There are 17 MENU items, each of which has some SUB-MENU items.

### DIAG menu selection

Main unit: Select the menu using the PROGRAM knob.

### SUB-MENU selection

Main unit: Select the sub-menu using ▷ (Forward) and ◁ (Reverse) keys of PRESET/TUNING.

## ● ダイアグメニューとサブメニューの操作

ダイアグにはNo.1～17のメニューがあり、そのそれぞれにサブメニューがあります。

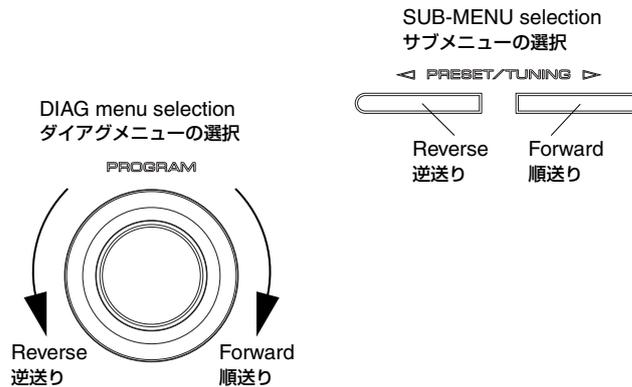
### ダイアグメニューの選択

本体キーでの操作： PROGRAMツマミで選択します。

### サブメニューの選択

本体キーでの操作： PRESET/TUNING ▷ (順送り), ◁ (逆送り)キーで選択します。

### Keys of main unit / 本体キー



## ● Functions in DIAG mode

In addition to the DIAG menu items, functions as listed below are available.

- Input selection, 6CH input
  - Center/Rear/Rear Center/Sub-woofer level adjustment
  - Speaker relay control of A and B
  - Muting
  - Power on/off
  - Master volume
- \* Functions related to the tuner and the set menu are not available.
- \* It is possible to confirm Menu No.13 IF STATUS while keeping the signal process (operation status) of each DIAG menu by using the INPUT MODE key of the main unit.

## ● ダイアグ中の機能

ダイアグメニューの他に、以下の機能が動作します。

- インプット切り換え、6CHインプット
- センター、リア、リアセンター、サブウーファーレベル調整
- スピーカーリレーA/B
- ミューティング
- パワーオン/オフ
- マスターボリューム

※ チューナー関連、セットメニュー関連は機能しません。

※ 本体のINPUT MODEキーにより、各ダイアグメニューの信号処理(動作状態)を維持したままメニューNo.13 "IF STATUS"の確認ができます。

## ● Initial settings used to start DIAG

The following settings are used when starting DIAG. When DIAG is canceled, these settings are restored to those before starting DIAG.

- Master volume: -20dB
- Input: DVD (6CH INPUT OFF)
- Effect level: 0dB
- Audio mute: OFF
- Speaker relay of A and B: ON
- Speaker setting: LARGE / BASS OUT = BOTH
- DIAG menu: DSP THROUGH (1. YSS MARGIN)

## ● ダイアグ開始時の初期設定

ダイアグ開始時に以下のような設定になります。ダイアグ解除時にはダイアグ開始前の状態に戻ります。

- マスターボリューム：-20dB
- インプット：DVD (6CH INPUT オフ)
- エフェクトレベル：0dB
- オーディオミュート：オフ
- スピーカーリレーA/B：ON
- スピーカー設定：LARGE / BASS OUT = BOTH
- ダイアグメニュー：DSP THROUGH (1. YSS MARGIN)

## ● Details of DIAG menu

With full-bit output specified in some modes, it is possible to execute 0dBFS output without head margin in each channel.

### 1. DSP THROUGH

#### YSS MARGIN

- The front CH signal including the head margin is output at the main CH.
- Head margin (Max):  
Front L/R: 15.0dB, Center: 14.0dB,  
Surround L/R: 9.0dB, Surround Back: 8.0dB,  
SW: 18.0dB

## ● ダイアグメニュー詳細

一部のモードでフルビット指定することで、各チャンネルのヘッドマージンを廃して0dBFS出力することが可能です。

### 1. DSP THROUGH

#### YSS MARGIN

- ヘッドマージンを含んで、フロントCHがメインCHに出力されます。
- ヘッドマージン(最大):  
Front L/R: 15.0dB, Center: 14.0dB,  
Surround L/R: 9.0dB, Surround Back: 8.0dB,  
SW: 18.0dB

#### 1. YSS MARGIN

Reference data

INPUT: DVD ANALOG

SWFR: 50Hz, Others: 1kHz

Input level	Volume	SPEAKER OUTPUT (1kHz)				SUBWOOFER OUTPUT (50Hz)
		FRONT L/R	CENTER	SURROUND L/R	SURROUND BACK	
Both ch, -20 dBm	+6.0 dB	+13.0 dBm	+13.0 dBm	+13.0 dBm	+13.0 dBm	-0.5 dBm

#### YSS FULL BIT

- The signal is output in digital full bit without including the head margin. The SWFR signal is output but not in digital full bit.

#### YSS FULL BIT

- ヘッドマージンを含まず、デジタルフルビットで出力されます。SWFRは出力されますが、デジタルフルビットではありません。

#### 1. YSS FULL BIT

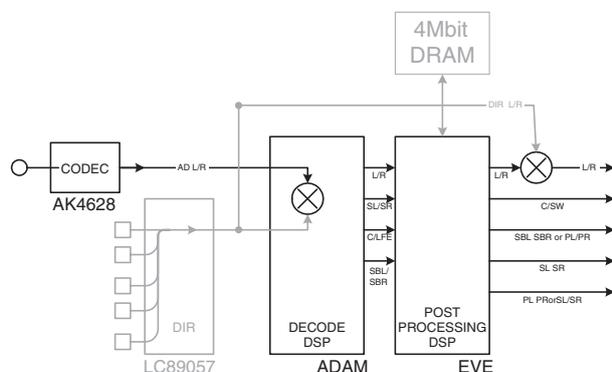
Reference data

INPUT: DVD ANALOG

SWFR: 50Hz, Others: 1kHz

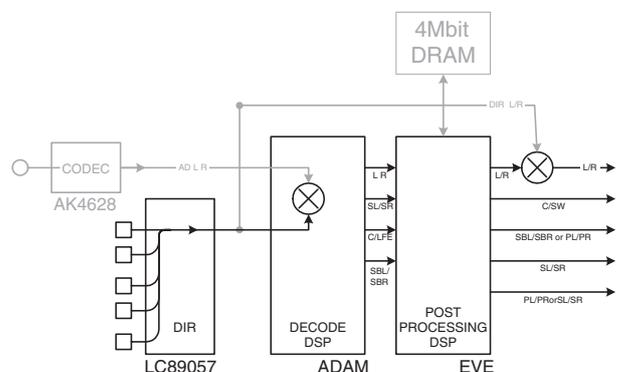
Input level	Volume	SPEAKER OUTPUT (1kHz)				SUBWOOFER OUTPUT (50Hz)
		FRONT L/R	CENTER	SURROUND L/R	SURROUND BACK	
Both ch, -20 dBm	+6.0 dB	+13.0 dBm	+13.0 dBm	+13.0 dBm	+13.0 dBm	-0.5 dBm

DSP THROUGH  
ANALOG



(Shaded items not used in this example)

DSP THROUGH  
PCM/DD/DTS/AAC



(Shaded items not used in this example)

2. BYPASS

ANALOG BYPASS

- The signal for L/R is output as it is without passing through the DSP section.

2. ANALOG BYPASS

2. BYPASS

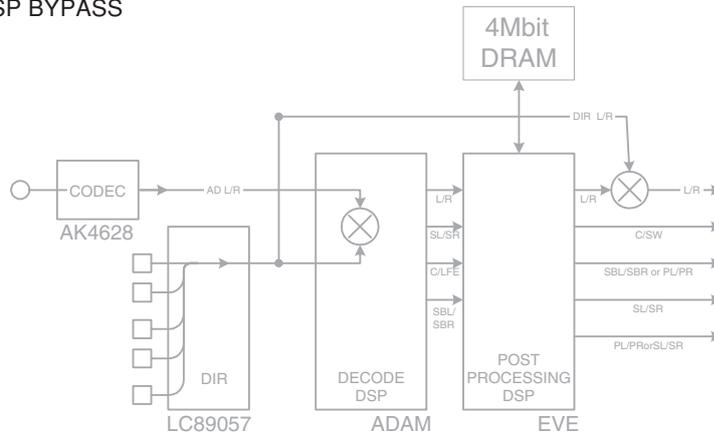
ANALOG BYPASS

- L/Rは、DSP部を通らずにそのまま出力されます。

Reference data  
 INPUT: DVD ANALOG  
 SWFR: 50Hz, Others: 1kHz

Input level	Volume	SPEAKER OUTPUT (1kHz)				SUBWOOFER OUTPUT (50Hz)
		FRONT L/R	CENTER	SURROUND L/R	SURROUND BACK	
Both ch, -20 dBm	+6.0 dB	+13.0 dBm	- ∞	- ∞	- ∞	∞

ANALOG BYPASS, DSP BYPASS  
 ANALOG



(Shaded items not used in this example)

DSP BYPASS

- The signal for L/R is output through the DSP section.

2. DSP BYPASS

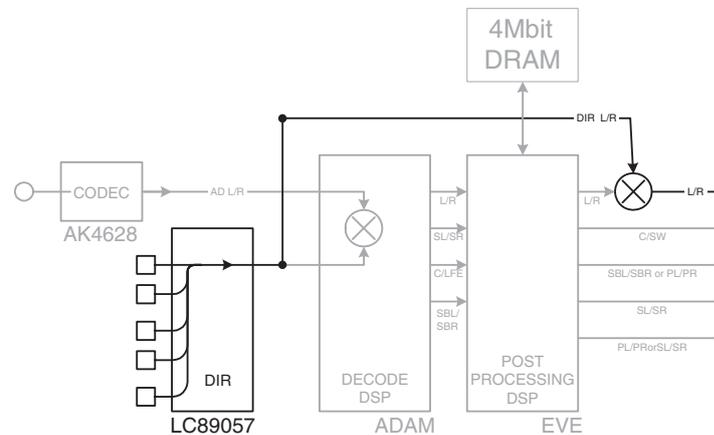
DSP BYPASS

- L/Rは、DSP部を通して出力されます。

Reference data  
 INPUT: DVD ANALOG  
 SWFR: 50Hz, Others: 1kHz

Input level	Volume	SPEAKER OUTPUT (1kHz)				SUBWOOFER OUTPUT (50Hz)
		FRONT L/R	CENTER	SURROUND L/R	SURROUND BACK	
Both ch, -20 dBm	+6.0 dB	- ∞	- ∞	- ∞	- ∞	∞

DSP BYPASS  
 PCM



(Shaded items not used in this example)

### 3. RAM THROUGH

Using the sub-menu, it is possible to select the full-bit output at 0dB output level.  
When ANALOG and PCM are selected, signals are distributed to each channel by YSS930.

#### RAM MARGIN

### 3. RAM MARGIN

Reference data  
INPUT: DVD ANALOG  
SWFR: 50Hz, Others: 1kHz

Input level	Volume	SPEAKER OUTPUT (1kHz)				SUBWOOFER OUTPUT (50Hz)
		FRONT L/R	CENTER	SURROUND L/R	SURROUND BACK	
Both ch, -20 dBm	+6.0 dB	+13.0 dBm	+13.0 dBm	+13.0 dBm	+13.0 dBm	-0.5 dBm

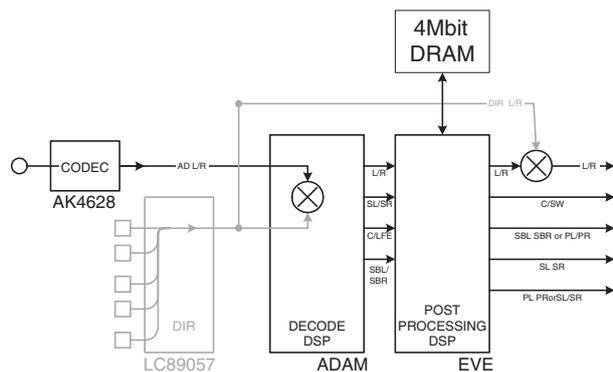
#### RAM FULL BIT

### 3. RAM FULL BIT

Reference data  
INPUT: DVD ANALOG  
SWFR: 50Hz, Others: 1kHz

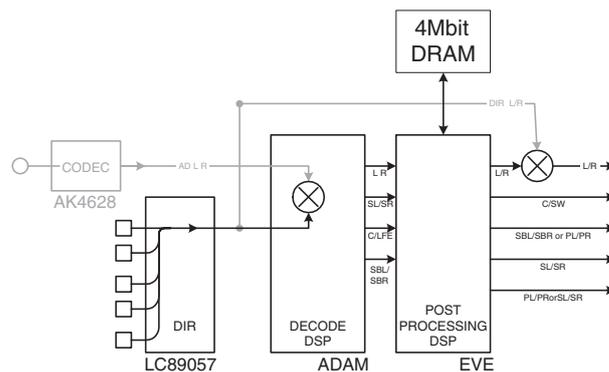
Input level	Volume	SPEAKER OUTPUT (1kHz)				SUBWOOFER OUTPUT (50Hz)
		FRONT L/R	CENTER	SURROUND L/R	SURROUND BACK	
Both ch, -20 dBm	+6.0 dB	+13.0 dBm	+13.0 dBm	+13.0 dBm	+13.0 dBm	-0.5 dBm

#### DSP THROUGH ANALOG



(Shaded items not used in this example)

#### DSP THROUGH PCM/DD/DTS/AAC



(Shaded items not used in this example)

**4. PRO LOGIC**

It is possible to select PRO LOGIC I, II (Movie) or Meo:6 by using the sub-menu.

When PRO LOGIC I or II (Movie) is selected, Auto Input Balance is always turned off.

**4. PRO LOGIC**

サブメニューでPRO LOGIC I、II(Movie)、Meo:6を選択可能です。

PRO LOGIC I、II(Movie)の場合、常時Auto Input Balance offです。

**PRO LOGIC I**

**PRO LOGIC I**

**4. PRO LOGIC I**

Reference data  
INPUT: DVD ANALOG  
SWFR: 50Hz, Others: 1kHz

Input level	Volume	SPEAKER OUTPUT (1kHz)				SUBWOOFER OUTPUT (50Hz)
		FRONT L/R	CENTER	SURROUND L/R	SURROUND BACK	
Each ch, -20 dBm	+6.0 dB	+13.0 dBm	- ∞	- ∞	- ∞	∞
Both ch, -20 dBm	+6.0 dB	- ∞	+16.0 dBm	- ∞	- ∞	∞

**PRO LOGIC II**

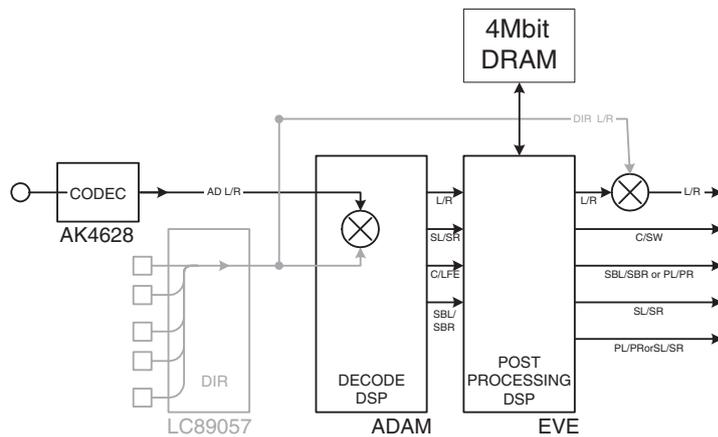
**PRO LOGIC II**

**4. PRO LOGIC II**

Reference data  
INPUT: DVD ANALOG  
SWFR: 50Hz, Others: 1kHz

Input level	Volume	SPEAKER OUTPUT (1kHz)				SUBWOOFER OUTPUT (50Hz)
		FRONT L/R	CENTER	SURROUND L/R	SURROUND BACK	
Each ch, -20 dBm	+6.0 dB	+13.0 dBm	- ∞	- ∞	- ∞	∞
Both ch, -20 dBm	+6.0 dB	- ∞	+16.0 dBm	- ∞	- ∞	∞

Dolby Pro Logic/Neo:6  
ANALOG



(Shaded items not used in this example)

Neo:6

Neo:6

4 Neo:6

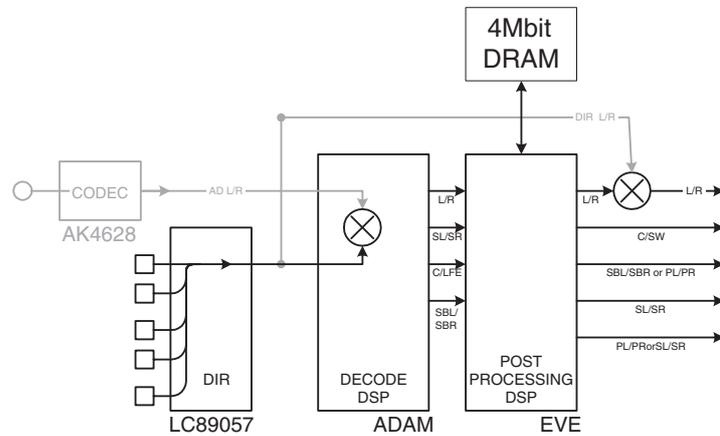
Reference data

INPUT: DVD ANALOG

SWFR: 50Hz, Others: 1kHz

Input level	Volume	SPEAKER OUTPUT (1kHz)				SUBWOOFER OUTPUT (50Hz)
		FRONT L/R	CENTER	SURROUND L/R	SURROUND BACK	
Each ch, -20 dBm	+6.0 dB	+13.0 dBm	- ∞	- ∞	- ∞	∞
Both ch, -20 dBm	+6.0 dB	- ∞	+16.0 dBm	- ∞	- ∞	∞

Dolby Pro Logic/Neo:6  
PCM/DD/DTS/AAC



(Shaded items not used in this example)

RX-V550/HTR-5750  
RX-V450/HTR-5740/DSP-AX450

**5. SPEAKERS SET**

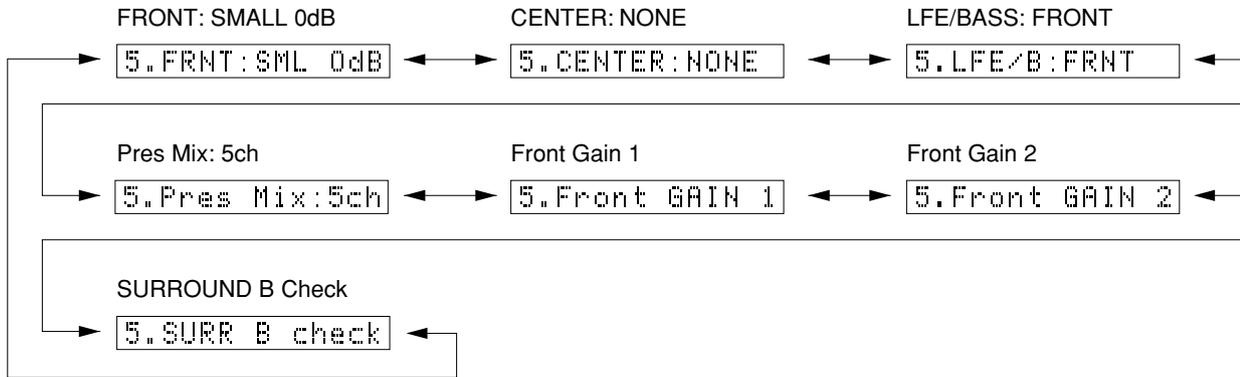
The input signal is automatically identified and switched in the priority order of dts → DOLBY DIGITAL → AAC → PCM AUDIO → Analog (A/D) according to the signal detection.

The signals output from the DSP block are the same as 2. BYPASS: DSP BYPASS.

**5. SPEAKERS SET**

入力は信号検出によって、dts → DOLBY DIGITAL → AAC → PCM AUDIO → アナログ(A/D)の優先順で自動判別切り換えされます。

DSP部からは、No.2 BYPASSのDSP BYPASSと同様の信号が出力されます。



The analog switch settings for each sub-menu are as shown in the table below.

各サブメニューにおけるアナログスイッチの設定は以下の通りです。

Sub-menu	FRONT SP	CENTER SP	SL/SR	SB	LFE/BASS
1 FRNT: SML 0dB	SMALL	LARGE	LARGE	LARGE	SWFR
2 CENTER: NONE	LARGE	NONE	LARGE	LARGE	BOTH
3 LFE/B: FRNT	LARGE	SMALL	SMALL	SMALL	FRONT
4 Pres Mix: 5ch	LARGE	LARGE	LARGE	LARGE	SWFR
5 FRNT GAIN 1	LARGE	LARGE	LARGE	LARGE	SWFR
6 FRNT GAIN 2	LARGE	LARGE	LARGE	LARGE	SWFR
7 SURR B Check	LARGE	LARGE	NONE	LARGE	SWFR

- LARGE:** This mode is used with a speaker with high bass reproduction performance (a large unit). Full bandwidth signals are output.
- SMALL:** This mode is used with a speaker with low bass reproduction performance (a small unit). The signals of 90Hz or less are mixed into the channel specified by LFE/BASS.
- NONE:** This mode is used with no speaker. The center content is reduced by 3dB and distributed to MAIN L/R.

- LARGE:** 低音再生能力の高い(ユニットの大きい)スピーカーを使用するモードです。全帯域が出力されません。
- SMALL:** 低音再生能力の低い(ユニットの小さい)スピーカーを使用するモードです。90Hz以下がLFE/BASSで指定したチャンネルにミックスされません。
- NONE:** スピーカーを使用しないモードです。センター成分は-3dBされて、MAIN L/R に振り分けられません。

Reference data  
 INPUT: DVD ANALOG (Both ch)

Sub-menu	Input level	Volume	SPEAKER OUTPUT (1kHz)				SUBWOOFER OUTPUT (50Hz)
			FRONT L/R	CENTER	SURROUND L/R	SURROUND BACK	
1 FRNT: SML 0dB	1kHz Both ch, -20 dBm	+6.0 dB	+13.0 dBm	+13.0 dBm	+13.0 dBm	+13.0 dBm	+3.5 dBm
2 CENTER: NONE	1kHz Both ch, -20 dBm	+6.0 dB	+10.0 dBm	- ∞	+13.0 dBm	+13.0 dBm	-0.5 dBm
3 LFE/B: FRNT	50Hz Both ch, -20 dBm	+6.0 dB	+25.0 dBm	+3.5 dBm	+3.5 dBm	+3.5 dBm	∞
4 Pres Mix: 5ch	1kHz Both ch, -20 dBm	+6.0 dB	- ∞	+13.0 dBm	+13.0 dBm	+13.0 dBm	-0.5 dBm
5 Front Gain 1	1kHz Both ch, -20 dBm	+6.0 dB	+20.0 dBm	+13.0 dBm	+13.0 dBm	+13.0 dBm	-0.5 dBm
6 Front Gain 2	1kHz Both ch, -20 dBm	+6.0 dB	+20.0 dBm	+13.0 dBm	+13.0 dBm	+13.0 dBm	-0.5 dBm
7 SURR B check	1kHz Both ch, -20 dBm	+6.0 dB	- ∞	- ∞	- ∞	+13.0 dBm	∞



### 6. EXTERNAL INPUT

The signal input through the 6CH INPUT terminals is output.  
The speaker impedance can be selected.

#### 6ch INPUT\_6

6.6ch INPUT\_6

Reference data  
INPUT: 6CH INPUT  
SWFR: 50Hz, Others: 1kHz

Input level	Volume	SPEAKER OUTPUT (1kHz)				SUBWOOFER OUTPUT (50Hz)
		FRONT L/R	CENTER	SURROUND L/R	SURROUND BACK	
Both ch, -20 dBm	+6.0 dB	+13.0 dBm	+13.0 dBm	+13.0 dBm	- ∞	-10.0 dBm

#### 6ch INPUT\_8

6.6ch INPUT\_8

Reference data  
INPUT: 6CH INPUT  
SWFR: 50Hz, Others: 1kHz

Input level	Volume	SPEAKER OUTPUT (1kHz)				SUBWOOFER OUTPUT (50Hz)
		FRONT L/R	CENTER	SURROUND L/R	SURROUND BACK	
Both ch, -20 dBm	+6.0 dB	+13.0 dBm	+13.0 dBm	+13.0 dBm	- ∞	-10.0 dBm

### 7. MIC CHECK

#### MIC CHK --dB

Not applied to these models.

7.MIC CHK --dB

### 6. EXTERNAL INPUT

6CH入力した信号が出力されます。  
6オーム、8オームが選択できます。

#### 6ch INPUT\_6

#### 6ch INPUT\_8

### 7. MIC CHECK

#### MIC CHK --dB

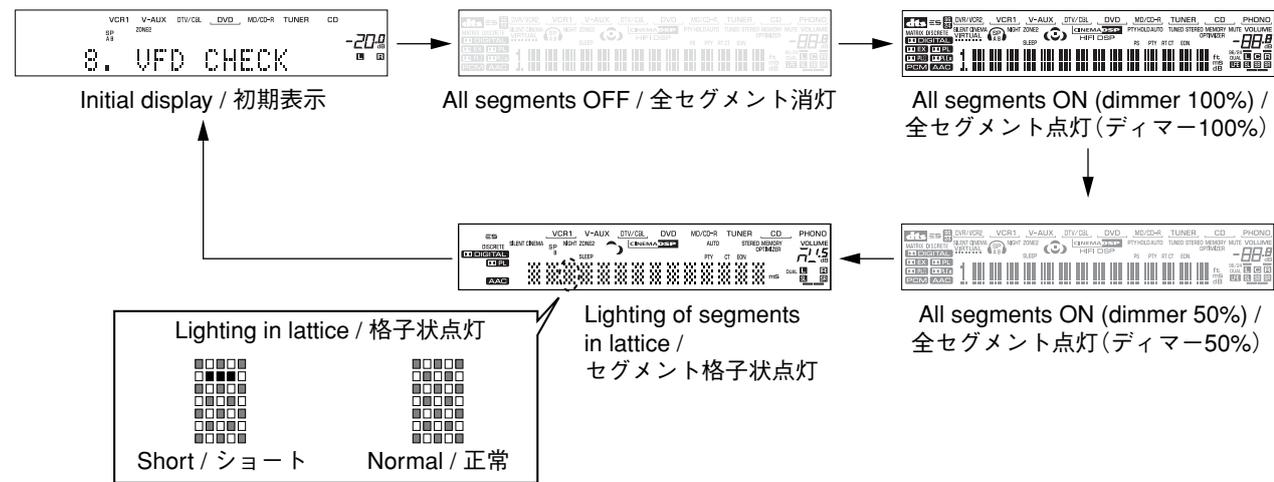
このモデルには適用されません。

### 8. DISPLAY CHECK

This program is used to check the FL display section. The display condition varies as shown below according to the sub-menu operation. The signals are processed using EFFECT OFF (The L/R signal is output using ANALOG MAIN BYPASS.)

Regarding internal/external synchronization selection of the image signals by the microprocessor control, the internal synchronization is selected when the initial display is provided and when all FL's light up and the external synchronization at any other time.

Also, except when the initial display is provided, 128 characters for confirmation of the OSD driver are displayed as the image output.



Segment conditions of the FL driver and the FL tube are checked by turning ON and OFF all segments. Next, the operation of the FL driver is checked by using the dimmer control. Then a short between segments next to each other is checked by turning ON and OFF all segments alternately (in lattice). (In the above example, the segments in the second row from the top are shorted.)

### 8. DISPLAY CHECK

FL表示部のチェックプログラムです。サブメニュー操作により、表示状態が以下のように変わります。

信号処理はEFFECT OFF (ANALOG MAIN BYPASSでL/Rを出力)です。

マイコン制御による映像信号の内部/外部同期切替は、初期表示とFL全点灯時に内部同期となり、それ以外は強制外部同期となります。

また、初期表示以外で映像出力にOSDドライバ確認用128文字表示が出ます。

全セグメント消灯・全セグメント点灯によりFLドライバー、FL管のセグメントの不良を確認します。次に、ディマーコントロールによってFLドライバーの動作チェックを行います。さらに全セグメントを交互(格子状)に点灯/消灯することで、隣り合うセグメントのショートをチェックします。(上図の例では、上から2行目のセグメントがショートしています。)

### 9. MANUAL TEST

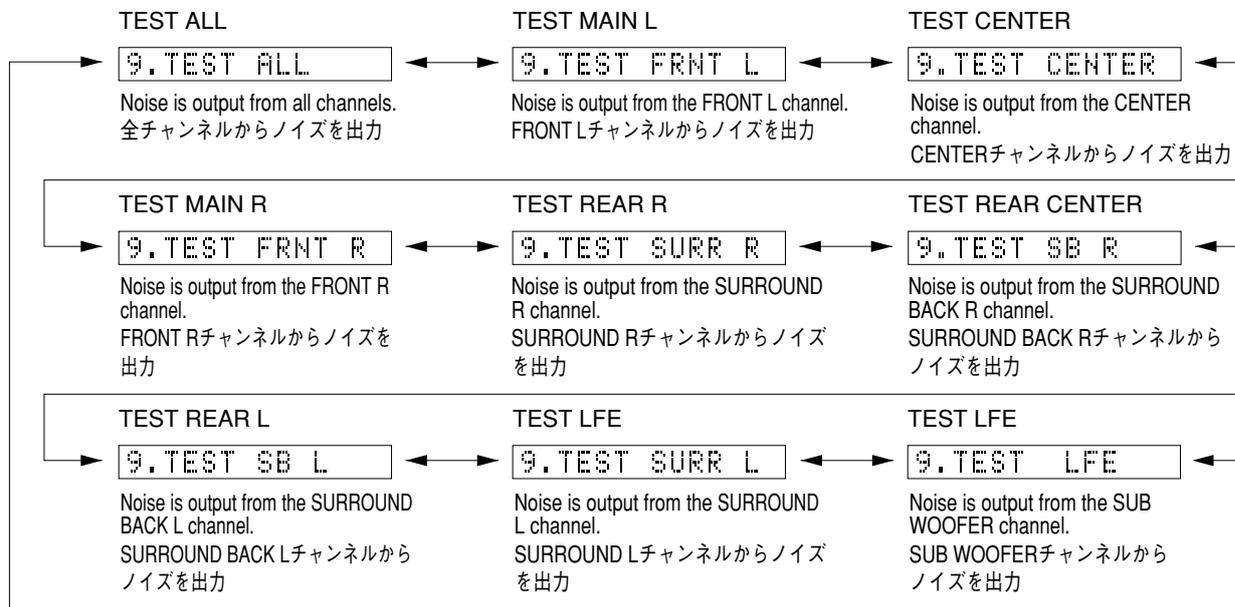
The noise generator circuit built into the DSP outputs the test noise through the channels specified by the sub-menu.

The noise frequency for LFE is 35 to 250 Hz. Other than that, the center frequency is 800Hz.

### 9. MANUAL TEST

DSP内蔵のノイズ発生回路によって、サブメニューで指定したチャンネルへテストノイズを出力します。

LFE用のノイズ周波数は35～250Hz、それ以外は中心周波数800Hzとなります。



### 10. FACTORY PRESET

This menu is used to reserve and inhibit initialization of the back-up RAM. The signals are processed in the same way as EFFECT OFF. (The L/R signal is output using ANALOG MAIN BYPASS.)

### 10. FACTORY PRESET

バックアップ用RAM (音場プログラムのパラメーターやセットメニュー内容など)の初期化を予約/禁止します。信号処理はEFFECT OFFと同じです(ANALOG MAIN BYPASSで、L/Rを出力)。

10.PRESET INHI

**PRESET INHIBIT** (Initialization inhibited) / **PRESET INHIBIT** (初期化禁止)

RAM initialization is not executed. Select this sub-menu to protect the values set by the user. RAMの初期化は行われません。ユーザーの設定値を保護するときは、こちらを選択してください。

10.PRESET RSRV

**PRESET RESERVED** (Initialization reserved) / **PRESET RESERVED** (初期化予約)

Initialization of the back-up RAM is reserved. (Actually, initialization is executed the next time that the power is turned on.) Select this sub-menu to reset to the original factory settings or to reset the RAM.

バックアップRAMの初期化が予約されます。(実際に初期化されるのは、次回の電源投入時です。)工場出荷時やRAMをリセットしたいときは、こちらを選択してください。

**CAUTION:** Before setting to the PRESET RESERVED for initialization, write down the existing preset memory content of the Tuner in a table as shown below. (This is because initialization will cause the user memory content to be erased.)

注意： PRESET RESERVEDを選んで初期化をする前に、チューナーのユーザーメモリー内容を下表に書き写してください。(初期化をすると、ユーザーメモリーの内容は消えてしまいます。)

Preset group	P1	P2	P3	P4	P5	P6	P7	P8
A								
B								
C								
D								
E								

・ PRESET STATIONS / プリセット局

STATION		FM FACTORY PRESET DATA (MHz)			
PAGE	NO.	U, C	R, T, K, A, B, G, L	J	
A/C/E	1	87.5	87.5	76.0	
	2	90.1	90.1	83.0	
	3	95.1	95.1	84.0	
	4	98.1	98.1	86.0	
	5	107.9	108.0	90.0	
	6	88.1	88.1	78.0	
	7	106.1	106.1	88.0	
	8	107.9	108.0	82.1	

STATION		AM FACTORY PRESET DATA (kHz)			
PAGE	NO.	U, C, R, T, K	A, B, G, L	J	
B/D	1	630	630	630	
	2	1080	1080	1080	
	3	1440	1440	1440	
	4	530	531	531	
	5	1710	1611	1611	
	6	900	900	900	
	7	1350	1350	1350	
	8	1400	1404	1404	

11. AD DATA CHECK

This menu is used to display the A/D conversion value of the terminals which detect panel keys of the main unit and protection functions in % using the sub-menu. During signal processing, the condition before execution is maintained.

When K0/K1 menu is selected, keys become non-operable due to detection of the values of all keys. However, it is possible to advance to the next sub-menu by turning the VOLUME knob of the main unit. When using this function, note that turning the VOLUME knob more than 2 clicks will cause the volume value to change.

\* The numeric value in the figure is an example for reference.

DC/PS (protection detection)

DC: DC protection value (Normal value: 1 to 13)

When DC is out of the normal value range, the protection function works to turn off the power.

PS: Power supply voltage protection value (Normal value: 21 to 39)

When PS is out of the normal value range, the protection function works to turn off the power.

DC:008 PS:030

THM/Fan (temperature detection/fan drive level)

THM: 500% display of the voltage based on the temperature detected value. Reference voltage : 5V

For the normal voltages, refer to the table below.

Fan: Not applied to these models.

THM:100 Fan.../...

Destination	Normal Voltage
Except R, L	1.7 V or less
R, L	1.6 V or less

11. AD DATA CHECK

本体パネルキー、プロテクションなどを検出している端子のA/D変換の値を、サブメニューで%表示します。信号処理は実行前の状態を維持します。

K0/K1のメニューにすると、全キーの値を検出するためキー操作はできなくなりますが、本体のVOLUMEを回すことにより、次のサブメニューに進めることができます。このとき2クリック以上回すと、ボリューム値が変化するので注意してください。

※図中の数値は参考例です。

DC/PS (プロテクションの検出)

DC: DCプロテクションの値(正常値1~13)

DCは正常値を外れるとプロテクションが働き、電源オフされます。

PS: 電源電圧プロテクションの値(正常値21~39)

PSは正常値を外れるとプロテクションが働き、電源オフされます。

THM/Fan (温度検出/ファン駆動レベル)

THM: 温度検出値で電圧の500%表示、基準電圧は5V  
 正常電圧値は下表参照。

Fan: このモデルには適用されません。

**REC-OUT**

Not applied to these models.

**REC-OUT**

このモデルには適用されません。

REC-OUT:

**IMP SW/POWER LIMIT**

(Impedance/power limiter detection)

IMP: Not applied to these models.

PL: Power limiter detection value

The voltage value of pin No. 92 of IC502 is displayed, using 5V/256 as standard.

The port (No.3) output is controlled by using the input voltage value of pin No. 92 of IC502.

**IMP SW/POWER LIMIT**

(インピーダンス/パワーリミッターの検出)

IMP: このモデルには適用されません。

PL: パワーリミッター検出の値

IC502 92ピンの入力電圧値を5V/256を基準にして表示します。

IC502 92ピンの入力電圧値により、ポート(3ピン)を制御します。

IMP: 0 PL: 55%

Not applied to these models.

**K0/K1** (Panel key of main unit)

A/D of the key fails to function properly when the standard value is deviated. In this case, check the constant of partial pressure resistor, solder condition, etc. Refer to table 1.

**K0/K1** (本体パネルキー)

キーのA/Dは基準値から外れると、正常な動きをしません。Table 1をご覧になり、各キーの分圧抵抗の定数、ハンダ不良等の確認をしてください。

K0: 100% K1: 100%

[Table 1]

RX-V550

Display (%)	K0	K1
0 - 9	TUNING MODE	MULTI CH INPUT
10 - 19	-	MEMORY
20 - 29	INPUT MODE	FM/AM
30 - 39	PRESET/TUNING ▷	PRESET/TUNING
40 - 49	◁ PRESET/TUNING	RDS PTYMODE
50 - 59	A/B/C/D/E	RDS PTYSTART
60 - 69	TONE CONTROL	RDS EON
70 - 79	STRAIGHT	RDS MODE
80 - 89	SPEAKERS B	-
90 - 100	SPEAKERS A	-

[Table 1]

HTR-5750/RX-V450/HTR-5740

Display (%)	K0	K1
0 - 9	TUNING MODE	MULTI CH INPUT
10 - 14	INPUT MODE	MEMORY
15 - 24	BASS/TREBLE +	PRESET/TUNING ▷
25 - 34	- BASS/TREBLE	◁ PRESET/TUNING
35 - 44	CONTROL	FM/AM
45 - 54	PROGRAM ▷	A/B/C/D/E
55 - 64	◁ PROGRAM	PRESET/TUNING
65 - 69	STRAIGHT	RDS PTYMODE
70 - 74	SPEAKERS A	RDS PTYSTART
75 - 84	SPEAKERS B	RDS EON
85 - 100	-	RDS MODE

**12. V CONV STATUS**

Not applied to these models.

**12. V CONV STATUS**

このモデルには適用されません。

L: 11111111

### 13. IF STATUS (Input function status)

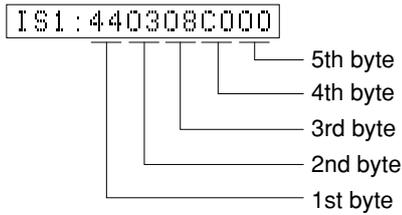
Using the sub-menu, the status data is displayed one after another in the hexadecimal notation.

During signal processing, the status before execution of this menu is maintained.

\* The numeric value in the figure is an example for reference.

#### IS1, 2 (Internal status):

Indicates the status information of the microprocessor.



<1st byte> Digital input/output setting value  
Upper 4 bits: REC OUT selected /  
lower 4 bits: INPUT selected

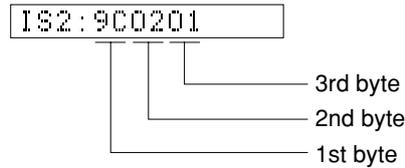
### 13. IF STATUS

サブメニュー操作により、以下のステータス情報を順次16進数で表示します。信号処理は、本メニュー実行前の状態を維持します。

※図中の数値は参考例です。

#### IS 1, 2 (内部ステータス):

マイコンのステータス情報を表示します。



<第1バイト> デジタル入出力設定値  
上位4bit REC OUT選択 /  
下位4bit INPUT選択

Value	Choice	Preset name
0	NONE	
1	OPTA	V-AUX
2	OPTB	MD/CD-R
3	OPTC	DVD
4	OPTD	D-TV/CBL
8	COAXA	CD

<2nd byte> Fs information of reproduction signal

<第2バイト> 再生信号のFs情報

Display	00	01	02	03	04	05	06	0A	0B	0C	0D
Fs (kHz)	Analog	32	44.1	48	64	88.2	96	Unknown NRM	Unknown DBL	Unknown QUAD	Not defined

<3rd byte> Audio code mode information of reproduction signal

<第3バイト> 再生信号のオーディオコードモード情報

Display	00	01	02	03	04	05	06	07	08	09	0A	0B	0C	0D
Audio Code	1+1	1/0	2/0	3/0	2/1	3/1	2/2	3/2	2/3	3/3	OVER 6.1	MULTI PCE	Unknown	Unknown

<4th byte> Format information of reproduction signal

<第4バイト> 再生信号のフォーマット情報

\*1: Analog processing used, for digital reproduction is not possible because of a commercial bit or 4-ch audio reason.

\*1: 業務用ビットや4chオーディオなどの理由で、デジタル再生できずアナログ処理されます。

Display	Signal format
00	Analog (Unlock)
01	Incorrect digital (*1)
10	PCM Audio
20	Digital Data
21	IEC1937 Data
22	None PCM
23	Unknown
50	dts
51	Red dts
54	dts-ES MATRIX
58	dts-ES DISCRETE
5C	dts-ES (Both flag)
60	AAC
C0	Dolby Digital
C1	D.D. Karaoke
C4	D.D.6.1 (D.D.EX)

<5th byte> Signal processing status information  
\*2: With digital signals other than 32kHz, 44.1kHz and 48kHz, through processing method is used for reproducible signals.

<第5バイト>信号処理ステータス情報  
\*2: 32kHz、44.1kHz、48kHz以外のデジタル信号の場合、再生可能な信号についてはスルー処理されます。

bit7	MUTE request	bit3	-
bit6	Red dts flashing	bit2	Through & bypass (*2)
bit5	6.1/EX processing	bit1	-
bit4	FULL MUTE (ON: 1)	bit0	dts analog mute

**CS1-5:** Indicates channel status information of the input signal.

**CS 1-5:** 入力信号のチャンネルステータス情報を表示します。

CS1: 0299000200 ----- CS5: 00000000

**BS1-7, TI1-2:** Indicates the bit stream information of YSS948.

**BS1-7, TI1-2:** YSS948のビットストリームインフォメーション情報を表示します。

BS1: 000070FFFF ----- BS7: C4

TI1: 0000000000 ----- TI2: 00

**MTT:** Mute Trigger

**MTT:** Mute Trigger

MTT: 0020000007

#### 14. DSP RAM CHECK

This menu is used to self-diagnose whether or not the bus connection for the YSS930 and the external RAM is made properly.

During signal processing, the status before execution of this menu is maintained.

The address bus and the data bus are checked and the connection condition is displayed.

When no error is detected, "NoEr" appears on display.

##### YSS930 Bus Check

#### 14. DSP RAM CHECK

YSS930と外付けRAMとのバス接続の正否を自己診断します。信号処理は、このメニューを実行する前の状態を維持します。アドレスバス、データバスのチェックを行い、接続正否を表示します。

エラーが検出されなかった場合は、"NoEr"と表示されます。

##### YSS930 BUS CHECK

YSS BUS:NoEr

Display	Description
WAIT	Bus is being checked.
NoEr	No error detected.
DATA	Data bus shorted or open.
RSCS	/RAS or /CAS shorted or open.
ADDR	Address bus shorted or open.

##### YSS948 BUS CHECK

##### YSS948 BUS CHECK

SD BUS:NoEr

Display	Description
WAIT	Error detected
NoEr	No error detected.

#### 15. PROTECTION SETTING

Not applied these models.

#### 15. PROTECTION SETTING

このモデルには適用されません。



## 16. SOFT SW

This menu is used to switch the function settings on P.C.B. through the software so as to activate the product.

The protection function follows the P.C.B. settings. When connected to AC or in the maker preset state, the unit is initialized to the P.C. B. setting. Display of each function after initialization varies depending on settings on P.C.B. The operation mode can be changed by selecting the sub-menu and then using the STRAIGHT key. With SOFT selected for the SW mode, the settings become effective.

**SW MODE:** PCB or SOFT can be selected.

16.SW :PCB

**MODEL SETTING:** V550, V450 or H5750 can be selected.

16.MODEL:V550

**TUNER DESTINATION:** J, UC, ATKBG or RL can be selected.

16.DEST :UC

**TUNER:** NOT or EXIST can be selected.

16.TUNER:EXIST

**RDS:** NOT or EXIST can be selected.

16.RDS :NOT

**ZONE2:** NOT or EXIST can be selected.

16.ZONE2#EXIST

**VIDEO FORMAT:** NTSC or PAL can be selected.

16.VIDEO:NTSC

## 16. SOFT SW

P.C.B.上の機能設定をソフト的に切り替えて、製品を動作させる機能です。

プロテクション機能は、P.C.B.の設定にしがいます。AC接続またはメーカープリセットで、P.C.B.の設定に初期化されます。初期化後の各機能の表示は、P.C.B.上の設定によります。操作は、サブメニューを選んだ後、STRAIGHTキーで切り替えま。SWモードをSOFTにすると、設定が有効になります。

**SW MODE :** PCBまたはSOFTを選択できます。

**MODEL SETTING :** V550、V450、H5750のいずれかを選択できます。

**TUNER DESTINATION :** J、UC、ATKBG、RLのいずれかを選択できます。

**TUNER :** NOTまたはEXISTを選択できます。

**RDS :** NOTまたはEXISTを選択できます。

**ZONE2 :** NOTまたはEXISTを選択できます。

**VIDEO FORMAT :** NTSCまたはPALを選択できます。

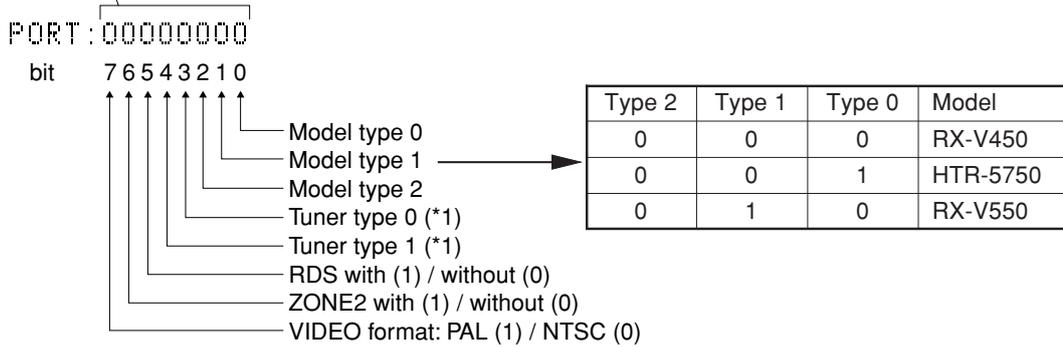
**17. MICROPROCESSOR INFORMATION**

There are 4 sub-menu items.  
 The version, checksum and the port specified by the microprocessor are displayed. The signal is processed using EFFECT OFF. The checksum is obtained by adding the data at every 16 bits for each program area and expressing the result as a 4-figure hexadecimal data.

**17. マイコン情報**

サブメニューは4つあります。  
 プログラムのバージョン、チェックサム、マイコンの指定ポートを表示します。  
 信号はエフェクトOFFです。チェックサムは、プログラムエリア別にデータを16ビットごとに加算していき、4桁の16進データで現したものです。

RX-V550/HTR-5750  
RX-V450/HTR-5740/DSP-AX450



\*1

Type	Tuner mode		Port 36 FREQSW(Dest R)	Frequency range	
	1	0		FM	AM
0	0	0	-	76.0-90.0MHz / 100kHz	531-1611kHz / 9kHz
1	1	0	-	87.5-108.0MHz / 50kHz	531-1611kHz / 9kHz
2	0	1	-	87.5-107.9MHz / 200kHz	530-1710kHz / 10kHz
3	1	1	Low	87.5-108.0MHz / 100kHz	530-1710kHz / 10kHz
			High	87.5-108.0MHz / 50kHz	531-1611kHz / 9kHz

## ■ AMP ADJUSTMENT / アンプ部調整

### Confirmation of Idling Current of MAIN (1) P. C. B.

- Right after power is turned on, confirm that each measured voltage across the terminals of R45 (Front Lch), R46 (Front Rch), R50 (Center), R47 (Surround Lch), R48 (Surround Rch), R49 (Surround Back) is between 0.1mV and 10.0mV.
- If it exceeds 10.0mV, open (cutoff) R38 (Front Lch), R39 (Front Rch), R37 (Center), R34 (Surround Lch), R35 (Surround Rch), R36 (Surround Back) and reconfirm the voltage.

#### Attention

If the measured voltage exceeds 10.0mV after an amplifier repair, first check for a defective component before cutting the bias resistor.

- Confirm that the voltage is 0.2mV ~ 15.0mV after 60 minutes.

### メイン(1)基板のアイドル電流の確認

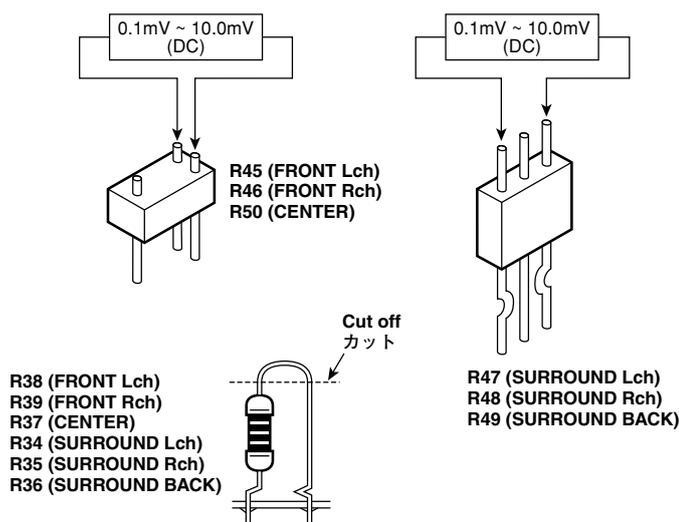
- 電源投入直後、R45 (FRONT Lch)、R46 (FRONT Rch)、R50 (CENTER)、R47 (SURROUND Lch)、R48 (SURROUND Rch)、R49 (SURROUND BACK)の端子間電圧を測定し、0.1mVから10.0mVの間であることを確認してください。

- 電圧が10mVを超えている場合は、R38 (FRONT Lch)、R39 (FRONT Rch)、R37 (CENTER)、R34 (SURROUND Lch)、R35 (SURROUND Rch)、R36 (SURROUND BACK)をカットし、電圧を再確認してください。

#### 注意

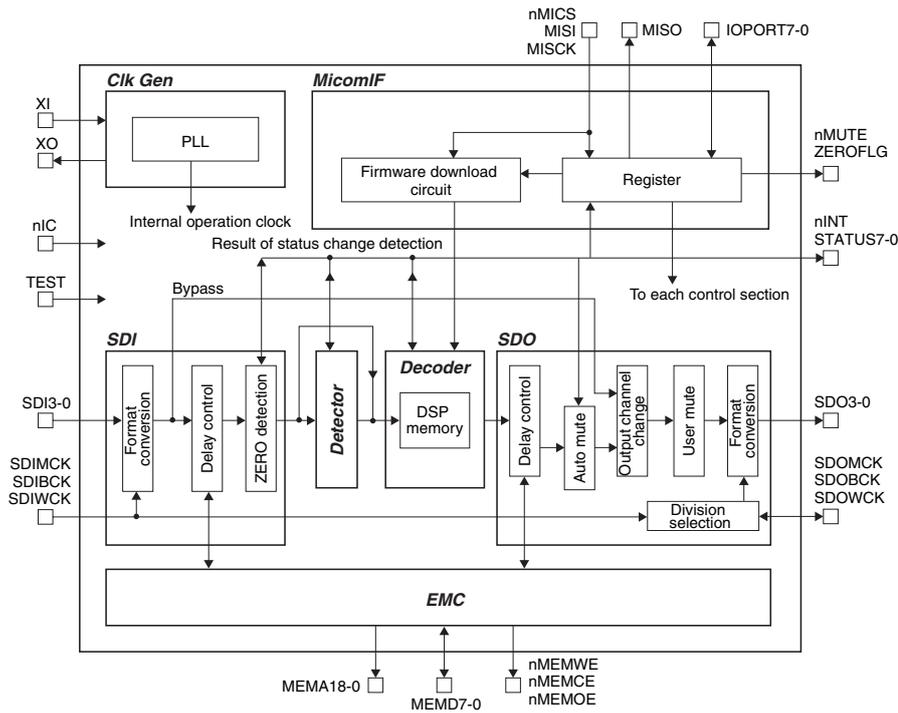
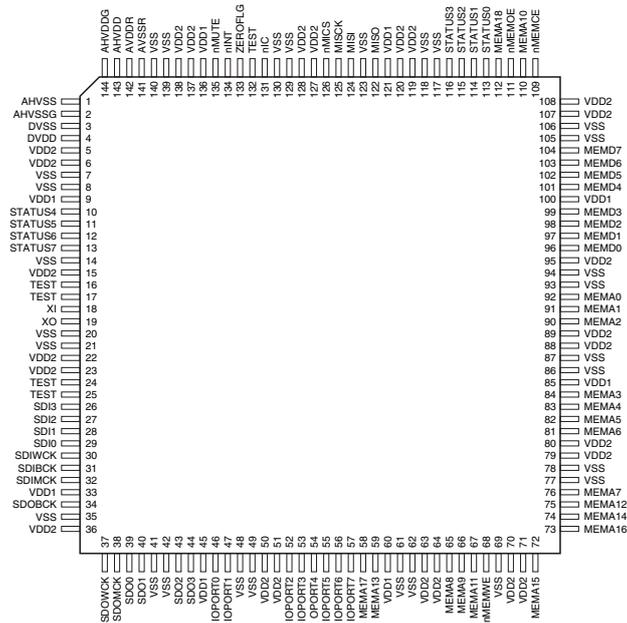
パワーアンプ修理後に10.0mVを超えている場合は、抵抗をカットする前に故障箇所を調べてください。

- 60分後、電圧が0.2mV~15.0mVであることを確認してください。



## IC DATA

IC5 : YSS948 (DSP P.C.B.)  
DSP (Main Decoder)



Block name	Function
<b>ClkGen</b>	Equipped with PLL internally, controls clock supply to each section.
<b>MicomIF</b>	Equipped with firmware download circuit, used for connection to the external microprocessor.
<b>SDI</b>	For audio interface with DIR, ADC, etc.
<b>SDO</b>	For audio interface with DAC, etc.
<b>Detector</b>	For stream judgment
<b>EMC</b>	Used to read and write to the external memory, providing input delay and output delay.
<b>Decoder</b>	Equipped with 32-bit floating decimal DSP, memory (ROM, RAM), etc. Executes various functions using preset ROM codes. Capable of executing functional expansion by downloading firmware.

IC5 : YSS948 (DSP P.C.B.)  
DSP (Main Decoder)

Category	Pin No.	Terminal name	I/O (Note 1)	Output current	Function
Power supply	1	AHVSS			Ground terminal 2 for PLL section Insert a 0.1µF capacitor between AHVDD terminal and AHVSS terminal.
	2	AHVSSG			Ground terminal 3 for PLL section Insert a 0.1µF capacitor between AHVDDG terminal and AHVSSG terminal.
	3	DVSS			Ground terminal 4 for PLL section Insert a 0.1µF capacitor between DVDD terminal and DVSS terminal.
	141	AVSSR			Ground terminal 1 for PLL section Insert a 0.1µF capacitor between AVDDR terminal and AVSSR terminal.
Initial clear	131	nIC	Is	-	Hardware reset input terminal The device is initialized at "L" level.
Clock	18	XI	I	-	Clock input terminal Connect 12.288MHz crystal oscillator as shown in circuit example (Note 2). When not connecting crystal oscillator, input 12.28MHz clock to XI terminal.
	19	XO	O	-	Clock output terminal for crystal oscillator oscillation Connect as shown in circuit example (Note 2). When inputting clock directly to XI terminal without connecting crystal oscillator, do not connect anything to XO terminal. Do not use XO terminal for any purpose other than clock oscillation.
Microprocessor interface	126	nMICS	Is	-	Chip select input terminal for microprocessor interface. Input of MISO and MIO terminals becomes effective at "L" level.
	125	MISCK	Is	-	Clock input terminal for microprocessor interface
	124	MISI	I	-	Address, read/write control and data input terminal for microprocessor interface
	122	MISO	O	4mA	Data output terminal for microprocessor interface
Audio interface	32	SDIMCK	Is	-	Master clock input terminal on input side of audio interface Master clock from DIR, ADC, etc. is inputted. Maximum frequency for input is 25MHz.
					(512fs up to 48kHz of input sampling frequency, 256fs up to 96kHz and 128fs up to 192kHz)
	31	SDIBCK	Is	-	Bit clock input/output terminal on input side of audio interface. 64fs bit clock is inputted.
	30	SDIWCK	I	-	Word clock terminal on input side of audio interface.
	26	SDI3	I	-	Serial data input terminal 3 for input side of audio interface Connect to ground when not using this terminal.
	27	SDI2	I	-	Serial data input terminal 2 for audio interface Connect to ground when not using this terminal.
	28	SDI1	I	-	Serial data input terminal 1 for audio interface Connect to ground when not using this terminal.
	29	SDI0	I	-	Serial data input terminal 0 for audio interface Connect to ground when not using this terminal.
	38	SDOMCK	O	8mA	Enter digital audio data (various streams/PCM) coming through IEC60958 to this terminal. Master clock output terminal on output side of audio interface. Master clock to DIT, DAC is output from this terminal Maximum frequency to be output is 25MHz.
	34	SDOBCK	Is/O	4mA	Bit clock input/output terminal on output side of audio interface. 64fs bit clock is inputted or output.
	37	SDOWCK	I/O	4mA	Word clock terminal on output side of audio interface.
	44	SDO3	O	4mA	Serial data output terminal 3 for audio interface.
	43	SDO2	O	4mA	Serial data output terminal 2 for audio interface.
	40	SDO1	O	4mA	Serial data output terminal 1 for audio interface.
	39	SDO0	O	4mA	Serial data output terminal 0 for audio interface.
External memory interface	112	MEMA18	O	4mA	External memory address output terminal 18 to 0
	58	MEMA17			
	73	MEMA16			
	72	MEMA15			
	74	MEMA14			
	59	MEMA13			
	75	MEMA12			
	67	MEMA11			
	110	MEMA10			
	66	MEMA9			
	65	MEMA8			
	76	MEMA7			
	81	MEMA6			
	82	MEMA5			
84	MEMA4				
83	MEMA3				
90	MEMA2				
91	MEMA1				
92	MEMA0				

IC5 : YSS948 (DSP P.C.B.)  
DSP (Main Decoder)

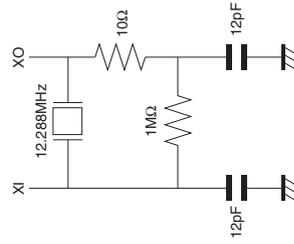
Category	Pin No.	Terminal name	I/O (Note 1)	Output current	Function
Power supply	9	VDD1		-	Power supply terminal for terminal block circuit (Typ. 3.3V)
	33				
	45				
	60				
	85				
	100				
	121				
	136				
	5	VDD2		-	Power supply terminal for internal circuit (Typ. 1.2V)
	6				
	15				
	22				
	23				
36					
50					
51					
63					
64					
70					
71					
79					
80					
128					
137					
138					
142	AVDDR		-	-	Power supply terminal 1 for PLL section (Typ. 3.3V) Insert a 0.1µF capacitor between AVDDR terminal and AVSSR terminal.
143	AHVDD		-	-	Power supply terminal 2 for PLL section (Typ. 3.3V) Insert a 0.1µF capacitor between AHVDD terminal and AHVSS terminal.
144	AHVDDG		-	-	Power supply terminal 3 for PLL section (Typ. 3.3V) Insert a 0.1µF capacitor between AHVDDG terminal and AHVSSG terminal.
4	DVDD		-	-	Internal power supply terminal for PLL section (Typ. 1.2V) Insert a 0.1µF capacitor between DVDD terminal and DVSS terminal.
7	VSS		-	-	Ground terminal
8					
14					
20					
21					
35					
41					
42					
48					
49					
61					
62					
69					
77					
78					
86					
87					
93					
94					
105					
106					
117					
118					
123					
129					
130					
139					
140					

IC5 : YSS948 (DSP P.C.B.)  
DSP (Main Decoder)

Category	Pin No.	Terminal name	I/O	Output current	Function	
External memory interface	104	MEMD7	I/O	4mA	External memory data input/output terminals 7 to 0	
	103	MEMD6				
	102	MEMD5				
	99	MEMD3				
	98	MEMD2				
	97	MEMD1				
	96	MEMD0				
	109	nMEMCE	O	4mA		
	111	nMEMOE	O	4mA		
	68	nMEMWE	O	8mA		
Status port	134	nMUTE	O	2mA	External memory chip select output terminal	
	133	ZEROF LG	O	2mA	External memory output enable output terminal	
	13	STATUS7	O	2mA	External memory write enable output terminal	
	12	STATUS6	O	2mA	Interrupt request output terminal	
	11	STATUS5	O	2mA	Auto mute period output terminal	
	116	STATUS3	O	2mA	Continuous zero data input detect terminal	
	115	STATUS2	O	2mA	Status output terminals 7 to 0.	
	114	STATUS1	O	2mA	Used for confirmation of firmware operation. Usually leave it unconnected.	
	113	STATUS0				
	General purpose input/output port	57	IOPORT7	(+)/O	4mA	General purpose input/output port terminals 7 to 0
56		IOPORT6				
55		IOPORT5				
54		IOPORT4	(+)/O	2mA		
53		IOPORT3				
52		IOPORT2				
47		IOPORT1				
46		IOPORT0				
16		TEST	Is	-	Test terminal	
17					Connect to ground.	
24						
25						
132						

Note1) I/O symbols  
 I : Digital input  
 Is : Schmitt input  
 O : Digital output  
 Ot : 3-state output  
 I/O : Digital input/output  
 (+)/O : Pulled up for input, not pulled up for output

Note 2) Example of crystal oscillator connection circuit



IC7 : YSS930-SZ (DSP P.C.B.)  
DSP (Post Processor)

VDD2	76	VSS	100
RAMA10	75	RAMA11	77
RAMA9	74	RAMA12	78
RAMA8	73	RAMA13	79
RAMA7	72	RAMA14	80
RAMA6	71	RAMA15	81
RAMA5	70	RAMA16	82
RAMA4	69	RAMA17	83
RAMA3	68	VDD1	84
RAMA2	67	/CS	85
RAMA1	66	SO	86
RAMA0	65	SI	87
RAMA7	64	SCK	88
RAMA8	63	/IC	89
RAMA9	62	RASN	90
RAMA0	61	RASN	91
RAMA7	60	RASN	92
RAMA8	59	RASN	93
RAMA9	58	RASN	94
RAMA0	57	RASN	95
RAMA7	56	RASN	96
RAMA8	55	RASN	97
RAMA9	54	RASN	98
RAMA0	53	RASN	99
RAMA7	52	RASN	100
RAMA8	51	RASN	101
RAMA9	50	RASN	102
RAMA0	49	RASN	103
RAMA7	48	RASN	104
RAMA8	47	RASN	105
RAMA9	46	RASN	106
RAMA0	45	RASN	107
RAMA7	44	RASN	108
RAMA8	43	RASN	109
RAMA9	42	RASN	110
RAMA0	41	RASN	111
RAMA7	40	RASN	112
RAMA8	39	RASN	113
RAMA9	38	RASN	114
RAMA0	37	RASN	115
RAMA7	36	RASN	116
RAMA8	35	RASN	117
RAMA9	34	RASN	118
RAMA0	33	RASN	119
RAMA7	32	RASN	120
RAMA8	31	RASN	121
RAMA9	30	RASN	122
RAMA0	29	RASN	123
RAMA7	28	RASN	124
RAMA8	27	RASN	125
RAMA9	26	RASN	126
RAMA0	25	RASN	127
RAMA7	24	RASN	128
RAMA8	23	RASN	129
RAMA9	22	RASN	130
RAMA0	21	RASN	131
RAMA7	20	RASN	132
RAMA8	19	RASN	133
RAMA9	18	RASN	134
RAMA0	17	RASN	135
RAMA7	16	RASN	136
RAMA8	15	RASN	137
RAMA9	14	RASN	138
RAMA0	13	RASN	139
RAMA7	12	RASN	140
RAMA8	11	RASN	141
RAMA9	10	RASN	142
RAMA0	9	RASN	143
RAMA7	8	RASN	144
RAMA8	7	RASN	145
RAMA9	6	RASN	146
RAMA0	5	RASN	147
RAMA7	4	RASN	148
RAMA8	3	RASN	149
RAMA9	2	RASN	150
RAMA0	1	RASN	151
RAMA7	0	RASN	152
RAMA8	0	RASN	153
RAMA9	0	RASN	154
RAMA0	0	RASN	155
RAMA7	0	RASN	156
RAMA8	0	RASN	157
RAMA9	0	RASN	158
RAMA0	0	RASN	159
RAMA7	0	RASN	160
RAMA8	0	RASN	161
RAMA9	0	RASN	162
RAMA0	0	RASN	163
RAMA7	0	RASN	164
RAMA8	0	RASN	165
RAMA9	0	RASN	166
RAMA0	0	RASN	167
RAMA7	0	RASN	168
RAMA8	0	RASN	169
RAMA9	0	RASN	170
RAMA0	0	RASN	171
RAMA7	0	RASN	172
RAMA8	0	RASN	173
RAMA9	0	RASN	174
RAMA0	0	RASN	175
RAMA7	0	RASN	176
RAMA8	0	RASN	177
RAMA9	0	RASN	178
RAMA0	0	RASN	179
RAMA7	0	RASN	180
RAMA8	0	RASN	181
RAMA9	0	RASN	182
RAMA0	0	RASN	183
RAMA7	0	RASN	184
RAMA8	0	RASN	185
RAMA9	0	RASN	186
RAMA0	0	RASN	187
RAMA7	0	RASN	188
RAMA8	0	RASN	189
RAMA9	0	RASN	190
RAMA0	0	RASN	191
RAMA7	0	RASN	192
RAMA8	0	RASN	193
RAMA9	0	RASN	194
RAMA0	0	RASN	195
RAMA7	0	RASN	196
RAMA8	0	RASN	197
RAMA9	0	RASN	198
RAMA0	0	RASN	199
RAMA7	0	RASN	200
RAMA8	0	RASN	201
RAMA9	0	RASN	202
RAMA0	0	RASN	203
RAMA7	0	RASN	204
RAMA8	0	RASN	205
RAMA9	0	RASN	206
RAMA0	0	RASN	207
RAMA7	0	RASN	208
RAMA8	0	RASN	209
RAMA9	0	RASN	210
RAMA0	0	RASN	211
RAMA7	0	RASN	212
RAMA8	0	RASN	213
RAMA9	0	RASN	214
RAMA0	0	RASN	215
RAMA7	0	RASN	216
RAMA8	0	RASN	217
RAMA9	0	RASN	218
RAMA0	0	RASN	219
RAMA7	0	RASN	220
RAMA8	0	RASN	221
RAMA9	0	RASN	222
RAMA0	0	RASN	223
RAMA7	0	RASN	224
RAMA8	0	RASN	225
RAMA9	0	RASN	226
RAMA0	0	RASN	227
RAMA7	0	RASN	228
RAMA8	0	RASN	229
RAMA9	0	RASN	230
RAMA0	0	RASN	231
RAMA7	0	RASN	232
RAMA8	0	RASN	233
RAMA9	0	RASN	234
RAMA0	0	RASN	235
RAMA7	0	RASN	236
RAMA8	0	RASN	237
RAMA9	0	RASN	238
RAMA0	0	RASN	239
RAMA7	0	RASN	240
RAMA8	0	RASN	241
RAMA9	0	RASN	242
RAMA0	0	RASN	243
RAMA7	0	RASN	244
RAMA8	0	RASN	245
RAMA9	0	RASN	246
RAMA0	0	RASN	247
RAMA7	0	RASN	248
RAMA8	0	RASN	249
RAMA9	0	RASN	250
RAMA0	0	RASN	251
RAMA7	0	RASN	252
RAMA8	0	RASN	253
RAMA9	0	RASN	254
RAMA0	0	RASN	255
RAMA7	0	RASN	256
RAMA8	0	RASN	257
RAMA9	0	RASN	258
RAMA0	0	RASN	259
RAMA7	0	RASN	260
RAMA8	0	RASN	261
RAMA9	0	RASN	262
RAMA0	0	RASN	263
RAMA7	0	RASN	264
RAMA8	0	RASN	265
RAMA9	0	RASN	266
RAMA0	0	RASN	267
RAMA7	0	RASN	268
RAMA8	0	RASN	269
RAMA9	0	RASN	270
RAMA0	0	RASN	271
RAMA7	0	RASN	272
RAMA8	0	RASN	273
RAMA9	0	RASN	274
RAMA0	0	RASN	275
RAMA7	0	RASN	276
RAMA8	0	RASN	277
RAMA9	0	RASN	278
RAMA0	0	RASN	279
RAMA7	0	RASN	280
RAMA8	0	RASN	281
RAMA9	0	RASN	282
RAMA0	0	RASN	283
RAMA7	0	RASN	284
RAMA8	0	RASN	285
RAMA9	0	RASN	286
RAMA0	0	RASN	287
RAMA7	0	RASN	288
RAMA8	0	RASN	289
RAMA9	0	RASN	290
RAMA0	0	RASN	291
RAMA7	0	RASN	292
RAMA8	0	RASN	293
RAMA9	0	RASN	294
RAMA0	0	RASN	295
RAMA7	0	RASN	296
RAMA8	0	RASN	297
RAMA9	0	RASN	298
RAMA0	0	RASN	299
RAMA7	0	RASN	300
RAMA8	0	RASN	301
RAMA9	0	RASN	302
RAMA0	0	RASN	303
RAMA7	0	RASN	304
RAMA8	0	RASN	305
RAMA9	0	RASN	306
RAMA0	0	RASN	307
RAMA7	0	RASN	308
RAMA8	0	RASN	309
RAMA9	0	RASN	310
RAMA0	0	RASN	311
RAMA7	0	RASN	312
RAMA8	0	RASN	313
RAMA9	0	RASN	314
RAMA0	0	RASN	315
RAMA7	0	RASN	316
RAMA8	0	RASN	317
RAMA9	0	RASN	318
RAMA0	0	RASN	319
RAMA7	0	RASN	320
RAMA8	0	RASN	321
RAMA9	0	RASN	322
RAMA0	0	RASN	323
RAMA7	0	RASN	324
RAMA8	0	RASN	325
RAMA9	0	RASN	326
RAMA0	0	RASN	327
RAMA7	0	RASN	328
RAMA8	0	RASN	329
RAMA9	0	RASN	330
RAMA0	0	RASN	331
RAMA7	0	RASN	332
RAMA8	0	RASN	333
RAMA9	0	RASN	334
RAMA0	0	RASN	335
RAMA7	0	RASN	336
RAMA8	0	RASN	337
RAMA9	0	RASN	338
RAMA0	0	RASN	339
RAMA7	0	RASN	340
RAMA8	0	RASN	341
RAMA9	0		

IC7 : YSS930-SZ (DSP P.C.B.)  
DSP (Post Processor)

No.	Name	I/O	Function
1	VSS	-	Digital ground terminal
2	XO	O	Terminal for connecting crystal oscillator
3	XI	I	Terminal for connecting crystal oscillator (12.288 ~ 15.0MHz)
4	IOPORT0	I+O	General purpose input/output terminal, SD00 Lch zero-flag output terminal, input/output terminal for branching program conditions
5	IOPORT1	I+O	General purpose input/output terminal, SD00 Rich zero-flag output terminal, input/output terminal for branching program conditions
6	IOPORT2	I+O	General purpose input/output terminal, SD01 Lch zero-flag output terminal, input/output terminal for branching program conditions
7	IOPORT3	I+O	General purpose input/output terminal, SD01 Rich zero-flag output terminal, input/output terminal for branching program conditions
8	IOPORT4	I+O	General purpose input/output terminal, SD02 Lch zero-flag output terminal, input/output terminal for branching program conditions
9	IOPORT5	I+O	General purpose input/output terminal, SD02 Rich zero-flag output terminal, input/output terminal for branching program conditions
10	IOPORT6	I+O	General purpose input/output terminal, SD03 Lch zero-flag output terminal, input/output terminal for branching program conditions
11	IOPORT7	I+O	General purpose input/output terminal, SD03 Rich zero-flag output terminal, input/output terminal for branching program conditions
12	AVSS	-	Analog ground terminal (for PLL)
13	CPO	A	Terminal for connecting PLL filter
14	AVDD	-	+2.5V digital power supply (for PLL)
15	VDD1	-	+3.3V digital power supply (for input/output terminal)
16	(NC)	-	(Unconnected)
17	IOPORT8	I+O	General purpose input/output terminal, SD04 Lch zero-flag output terminal
18	IOPORT9	I+O	General purpose input/output terminal, SD04 Rich zero-flag output terminal
19	IOPORT10	I+O	General purpose input/output terminal, SD05 Lch zero-flag output terminal
20	IOPORT11	I+O	General purpose input/output terminal, SD05 Rich zero-flag output terminal
21	IOPORT12	I+O	General purpose input/output terminal, SD06 Lch zero-flag output terminal, input terminal 0 for chip address setting
22	IOPORT13	I+O	General purpose input/output terminal, SD06 Rich zero-flag output terminal, input terminal 1 for chip address setting
23	IOPORT14	I+O	General purpose input/output terminal, SD07 Lch zero-flag output terminal, input terminal 2 for chip address setting
24	IOPORT15	I+O	General purpose input/output terminal, SD07 Rich zero-flag output terminal, input terminal 3 for chip address setting
25	VDD2	-	+2.5V digital power supply (for internal circuit)
26	VSS	-	Digital ground terminal
27	SD00	O	PCM output terminal
28	SD01	O	PCM output terminal
29	SD02	O	PCM output terminal
30	SD03	O	PCM output terminal
31	SD04	O	PCM output terminal
32	SD05	O	PCM output terminal
33	SD06	O	PCM output terminal
34	SD07	O	PCM output terminal
35	IOPORT16	I+O	General purpose input/output terminal, overflow detect output terminal
36	IOPORT17	I+O	General purpose input/output terminal, program end detect output terminal
37	IOPORT18	I+O	General purpose input/output terminal, 64fs clock output terminal
38	IOPORT19	I+O	General purpose input/output terminal, 1s clock output terminal
39	VDD1	-	+3.3V digital power supply (for input/output terminal)
40	RAMD0	I+O	Data input/output terminal 0 for external memory
41	RAMD1	I+O	Data input/output terminal 1 for external memory
42	RAMD2	I+O	Data input/output terminal 2 for external memory
43	RAMD3	I+O	Data input/output terminal 3 for external memory
44	RAMD4	I+O	Data input/output terminal 4 for external memory
45	RAMD5	I+O	Data input/output terminal 5 for external memory
46	RAMD6	I+O	Data input/output terminal 6 for external memory
47	RAMD7	I+O	Data input/output terminal 7 for external memory
48	RAMD8	I+O	Data input/output terminal 8 for external memory
49	RAMD9	I+O	Data input/output terminal 9 for external memory
50	VDD2	-	+2.5V digital power supply (for internal circuit)
51	VSS	-	Digital ground terminal
52	RAMD10	I+O	Data input/output terminal 10 for external memory
53	RAMD11	I+O	Data input/output terminal 11 for external memory
54	RAMD12	I+O	Data input/output terminal 12 for external memory
55	VDD1	-	+3.3V digital power supply (for input/output terminal)
56	RAMD13	I+O	Data input/output terminal 13 for external memory

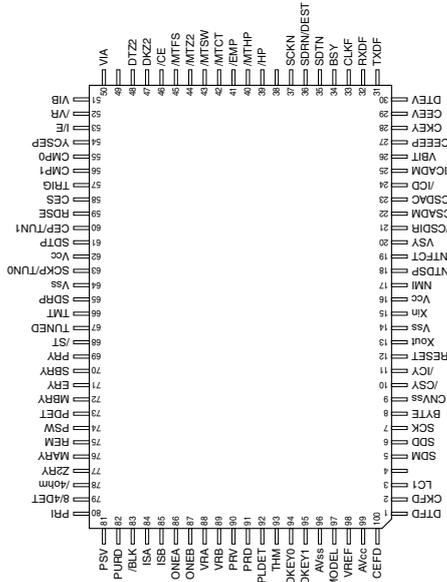
IC7 : YSS930-SZ (DSP P.C.B.)  
DSP (Post Processor)

No.	Name	I/O	Function
57	RAMD14	I+O	Data input/output terminal 14 for external memory
58	RAMD15	I+O	Data input/output terminal 15 for external memory
59	CASN	O	Column address strobe output terminal for external DRAM
60	RAMWEN	O	Write enable output terminal for external memory
61	RAMOEN	O	Output enable output terminal for external memory
62	RASN	O	Low address strobe output terminal for external DRAM
63	RAMA8	O	Address output terminal 8 for external memory
64	RAMA7	O	Address output terminal 7 for external memory
65	RAMA0	O	Address output terminal 0 for external memory
66	RAMA6	O	Address output terminal 6 for external memory
67	RAMA1	O	Address output terminal 1 for external memory
68	VDD1	-	+3.3V digital power supply (for input/output terminal)
69	RAMA5	O	Address output terminal 5 for external memory
70	RAMA2	O	Address output terminal 2 for external memory
71	RAMA4	O	Address output terminal 4 for external memory
72	RAMA3	O	Address output terminal 3 for external memory
73	RAMA9	O	Address output terminal 9 for external memory
74	RAMA10	O	Address output terminal 10 for external memory
75	VDD2	-	+2.5V digital power supply (for internal circuit)
76	VSS	-	Digital ground terminal
77	RAMA11	O	Address output terminal 11 for external memory
78	RAMA12	O	Address output terminal 12 for external memory
79	RAMA13	O	Address output terminal 13 for external memory
80	RAMA14	O	Address output terminal 14 for external memory
81	RAMA15	O	Address output terminal 15 for external memory
82	RAMA16	O	Address output terminal 16 for external memory
83	RAMA17	O	Address output terminal 17 for external memory
84	VDD1	-	+3.3V digital power supply (for input/output terminal)
85	/CS	Is	Microprocessor interface chip select input terminal
86	SO	Ot	Microprocessor interface data output terminal
87	SI	Is	Microprocessor interface data input terminal
88	SCK	Is	Microprocessor interface clock input terminal
89	/IC	Is	Initial clear input terminal
90	SDWCK	I	Word clock (fs) input terminal for SDI/SDO interface
91	SDBCK	Is	Bit clock (64fs) input terminal for SDI/SDO interface
92	SD17	I	PCM input terminal
93	SD16	I	PCM input terminal
94	SD15	I	PCM input terminal
95	SD14	I	PCM input terminal
96	SD13	I	PCM input terminal
97	SD12	I	PCM input terminal
98	SD11	I	PCM input terminal
99	SD10	I	PCM input terminal
100	VDD2	-	+2.5V digital power supply (for internal circuit)

Is: Schmidt trigger input terminal  
I+: Input terminal with pull-up resistor  
O: Digital output terminal  
Ot: 3-state digital output terminal  
A: Analog terminal

**RX-V550/HTR-5750**  
**RX-V450/HTR-5740/DSP-AX450**

IC502: M30622MWP-152FP (FUNCTION P.C.B.)  
16bit  $\mu$ -COM (Main CPU)



IC502: M30622MWP-152FP (FUNCTION P.C.B.)  
16bit  $\mu$ -COM (Main CPU)

Pin	Pin Function	Function name	Detail of Function	Classified	I/O	Comment
25	P75/TA2inW	/ICADM	ADM RESET	DSP	O	
26	P74/TA2outW	VBIT		DSP	I	
27	P73/CTS2/RTS2/TAinV	/CEEEP	EEPROM CE	FLASH	O	Connected to FLASH write terminal
28	P72/CLK2/TA1outV	CLK2	Electronic volume IC Clock	FUNC	SCK	
29	P71/RXD2/SCL/TAminV/BSin	N.C.				
30	P70/TXD2/SDA/TA0out	DTEV	Electronic volume IC DATA	FUNC	SO	Pull-up required externally (for Nch OD port)
31	P67/TXD1	TXD1	Flash ROM Tx/D Selector IC DATA	FLASH/FUNC	SO	Connected to FLASH write terminal
32	P66/RXD1	RXD1	Flash ROM Rx/D	FLASH	SI	Connected to FLASH write terminal
33	P65/CLK1	CLK1	Flash ROM Clock/Selector IC Clock	FLASH/FUNC	SCK	Connected to FLASH write terminal
34	P64/CTS1/RTS1/CTS/CLKS1	BSY	Flash BUSHY signal output	FLASH	O	Connected to FLASH write terminal
35	P63/TXD0	TXD0	RDS/OSD/SP conversion IC Tx/D	TUNER/VIDEO	SO	When /PURD is "L", fixed to OL because of target power supply turned OFF.
36	P62/RXD0	RXD0	RDS RxD / FREOSW (Dest R)	TUNER/VIDEO S/(I/PIU)		R destination: RDS data received for model having frequency switch and RDSAlways at OL except model without tuner/R destination/RDS destination (OK with hardware opened)For setting details, refer to Function Check Table.
37	P61/CLK0	CLK0	RDS/OSD/SP conversion IC Clock	TUNER/VIDEO	SCK	When /PURD is "L", fixed to OL because of target power supply turned OFF.
38	P60/CTS0/RTS0	N.C.				
39	P57/RDY/CLKout	/HP	HEAD PHONE detection	FUNC	I	
40	P56/ALE	/MTHP	HEAD PHONE MUTE output	FUNC(internal)	O	
41	P55/HOLD	/EMP	For Flash write (LO)		GND	
42	P54/HLDA	/MTCT	MUTE Center	FUNC (internal)	O	
43	P53/BCLK	/MTSW	MUTE SW	FUNC (internal)	O	
44	P52/RD	/MTZ2	Zone 2 MUTE/ZONE2 presence check	FUNC (internal)	O	
45	P51/WRH/BHE	/MTFS	MUTE Front/Surround , PreOUT	FUNC(MA12 /internal)	O	
46	P50/WRL/WR	/CE	For Flash write (HI)		I	
47	P47/CS3	CK22	Zone2 Selector Clock	FUNC	SCK	
48	P46/CS2	DTZ2	Zone2 Selector DATA	FUNC	SO	
49	P45/CS1	N.C.				
50	P44/CS0	VIA	VIDEO Selector A	VIDEO	O	
51	P43/A19	VIB	VIDEO Selector B	VIDEO	O	
52	P42/A18	/VR	VIDEO RecOut Selector 1	VIDEO	O	
53	P41/A17	N.C.				
54	P40/A16	YSEPP	Y/C separation selection	OSD	O	
55	P37/A15	COMP0	Component Selector 0	COMP	O	
56	P36/A14	COMP1	Component Selector 1	COMP	O	
57	P35/A13	TRIG	Trigger control	Remote	O	(RX-V550 only)
58	P34/A12	N.C.				
59	P33/A11	RDSE	RDS Enable, RDS presence check	TUNER(internal)	O/I	
60	P32/A10	CEPTUNI	PLL IC Enable / destination check 1	TUNER	O/I	
61	P31/A9	SDTP	PLL IC Tx/D / TUNER (SE) presence (SE) check	TUNER	SO	
62	Vcc	Vcc	Power supply for microprocessor +5V	Vcc(BU)		
63	P30/A8	SCKPTUN0	PLL IC Clock/Destination check 0	TUNER	O/I	
64	Vss	Vss	Ground for microprocessor	Vss		
65	P27/A7	SORP	PLL IC RxD	TUNER	I(PIU)	External pull-up not required because of being pulled up within microprocessor

Pin	Pin Function	Function name	Detail of Function	Classified	I/O	Comment
1	P86/ANEX1/SOUT4	SOUT4	FL Driver Tx/D	OPE	SO	
2	P85/ANEX0/CLK4	CLK4	FL Driver CLOCK	OPE	SCK	
3	P84/DA1/TB4in	DA1	Power limiter control	Main_1	DA	
4	P83/DA0/TB3in	N.C.				
5	P82/TB2in/SOUT3	SDM	YSS Tx/D	DSP	SO	
6	P81/TB1in/SIN3	SDD	YSS RxD	DSP	SI	
7	P80/TB0in/CLK3	CLK3	YSS CLOCK	DSP	SCK	
8	BYTE	BYTE	When in single chip mode: Vss	Vss		Connected to FLASH write terminal
9	CNVss	CNVss	When in single chip mode: Vss, When FLASH writing: Vcc	Vss/Vcc		Connected to FLASH write terminal (for rewriting EEPROM)
10	P87/X0m	P87 /CSY	YSS CE	DSP	O	
11	P86/X0out	/ICY	YSS RESET	DSP	O	
12	RESET	RESET	Reset		I	
13	Xout	Xout	Oscillation output			
14	Vss	Vss	Ground for microprocessor		Vss	
15	Xin	Xin	Oscillation input		16MHz	
16	Vcc	Vcc	Power supply for microprocessor+5V		Vcc(BU)	
17	P85/NMI	NMI	Unused, connected to Vcc		Vcc(BU)	
18	P84/INT2	INT2		DSP	INT	
19	P83/INT1	INT1		DSP	INT	
20	P82/INT0	N.C.				
21	P81/TA4inU	P81 /CSDIR	DIP CS	DSP	O	
22	P80/TA4outU	P80 /CSADM	ADM CS	DSP	O	
23	P77/TA3in	P77 /CSDAC	DAC CS	DSP	O	
24	P76/TA3out	P76 /ICD	DIP RESET	DSP	O	



IC502: M30622MWP-152FP (FUNCTION P.C.B.)  
16bit  $\mu$ -COM (Main CPU)

Pin	Pin Function	Function name	Detail of Function	Classified	I/O	Comment
66	P26/A6	TMT	TUNER MUTE	TUNER	O	(Internally pulled up when microprocessor is used)
67	P25/A5	TUNED	TUNED	TUNER	(I/PU)	External pull-up not required because of being pulled up within microprocessor.
68	P24/A4	ST	TUNER ST	TUNER	(I/PU)	External pull-up not required because of being pulled up within microprocessor.
69	P23/A3	PRY	Power relay output	Main_2	O	
70	P22/A2	N.C.				
71	P21/A1	ERY	Surround SP relay output	Main_2	O	
72	P20/A0	MBRY	Front B SP relay output	Main_2	O	
73	P17/D15/INT5	PDET	Power Down DETECT INT	Main_2	INT	
74	P16/D14/INT4	PSW	Standby SW INPUT	OPE	INT	
75	P15/D13/INT3	REM	Remote controller input	OPE	INT	
76	P14/D12	MARY	Front A SP relay output	Main_2	O	
77	P13/D11	N.C.				
78	P12/D10	/4ohm	IMPEDANCE control	Main_2	O	
79	P11/D9	8/4DET	IMPEDANCE select SW detection	Main_2	I	
80	P10/D8	PRI	Protection excess current detection	Main_1	I	
81	P07/D7	PSV	PowerSave	Internal	O	
82	P06/D6	N.C.				
83	P05/D5	/BLK	FL Driver OFF	OPE	O	
84	P04/D4	ISA	INPUT SEL. Rotary A	OPE	I	
85	P03/D3	ISB	INPUT SEL. Rotary B	OPE	I	
86	P02/D2	TONEA	Tone Con. Rotary A	OPE	I	(RX-V550 only)
87	P01/D1	TONEB	Tone Con. Rotary B	OPE	I	(RX-V550 only)
88	P00/D0	VRA	Volume Rotary A	OPE	I	
89	P107/AN7	VRB	Volume Rotary B	OPE	I	
90	P106/AN6	PRV	Protection power supply voltage detection	MAIN1MAIN2 (Internal)	AD	
91	P105/AN5	PRD	Protection DC detection	Main_1	AD	
92	P104/AN4	PLDET	POWER LIMITER DETECT	Main_1	AD	
93	P103/AN3	THM	Temperature detection	Main_1	AD	
94	P102/AN2	ADKEY0	Key AD input 0	OPE	AD	
95	P101/AN1	ADKEY1	Key AD input 1	OPE	AD	
96	Avss	Avss	AD ground	Vss		
97	P100/AN0	MODEL	Model check	Internal	AD	
98	Vref	Vref	AD reference	(+5V)		
99	Avcc	Avcc	AD power supply	(Vcc(BU))		
100	P97/Addrp/Sin4	CEFD	FL Driver CE	OPE	O	

IC502: M30622MWP-152FP (FUNCTION P.C.B.)  
16bit  $\mu$ -COM (Main CPU)

Function Check Table

Pin	Function	Name	Setting value	Remarks
36	P62/RXD0	FREQSW R, L destination TUNING frequency step check	0 AM 10kHz step 1 AM 9kHz step	Commonly used with SDRN (RDS RxD) (after activation of +5s) At power ON, switched to input instantly and checked (when checking R, L destination only)
44	P52	ZONE2 ZONE 2 presence check	0 Not present 1 Present	Commonly used with Zone 2 Mute (MITZ) (after activation of +5s) At reset cancellation, switched to input instantly and checked
58	P34	N/P Format NTSC/PAL check	0 NTSC 1 PAL	Commonly used with CES (OSD Enable) (after activation of VIDEO power supply)
59	P33	RDS RDS presence check	0 Not present 1 Present	At power ON, switched to input in an instant and checked Commonly used with RDSE (RDS Enable) (after activation of +5s) At reset cancellation and at power ON, switched to input in an instant and checked
61	P31	TUNER Tuner presence check	0 Not present 1 Present	Commonly used with SDTP (PLL IC Tx/D) (after activation of +5s) At reset cancellation and at power ON, switched to input in an instant and checked
66,63	P32/P30	TUNI:TUN0 TUNING frequency step/limiter destination check Remitter presence check	0,0 J 0,1 UC 1,0 ATKBG *2 1,1 RL *3	Commonly used with CEP, SOCKP (PLL IC Enable, Clock) (after activation of +5s) At reset cancellation and at power ON, switched to input in an instant and checked
97	AN0	MODEL MODEL check	39-91/255 9-38/255 0-8/255	RX-V550 HTR-5750 RX-V450/HTR-5740/DSP-AX450

\*0 AM: 531-1611kHz/ 9kHz FM: 76.0-90.0MHz/100kHz  
\*1 AM: 530-1710kHz/10kHz FM: 87.5-107.9MHz/200kHz  
\*2 AM: 531-1611kHz/ 9kHz FM: 87.5-108.0MHz/ 50kHz  
\*3 Destination RL : Tuner Frequency is selected by Pin 36

Pin	36	AM	FM
0	530-1710kHz/10kHz	87.5-108.0MHz/100kHz	
1	531-1611kHz/ 9kHz	87.5-108.0MHz/ 50kHz	

RX-V550

Key Input(A-D) Pull-Up Resistance 10 k-Ohms

Ohm	+0.0 k	+1.0 k	+1.5 k	+2.2 k	+3.3 k	+4.7 k	+6.8 k	+10.0 k	+22.0 k
ADKEY 0	~0.3	~0.7	~1.0	~1.5	~2.0	~2.6	~3.1	~3.6	~4.4
9SPin P102/AN2	MODE	MODE	MODE	PRESET/TUNING	PRESET/TUNING	PRESET/TUNING	AB/C/D/E	CONTROL	SPEAKER
ADKEY 1	MULTI-CH INPUT	MEMORY	FM/AM	PRESET/TUNING	MODE	PTYSEEK	START	EON	RDS
9SPin P101/AN1	INPUT	MODE	MODE	MODE	MODE	MODE	MODE	MODE	MODE

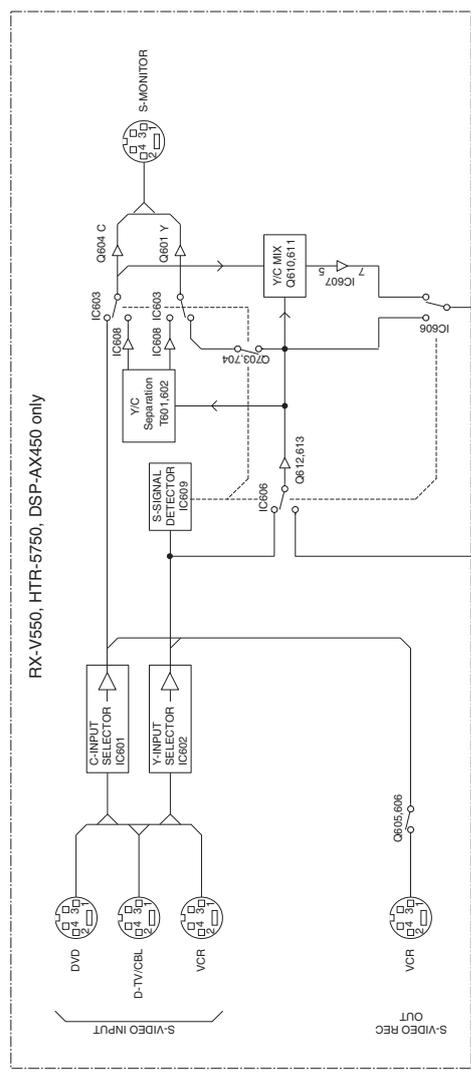
HTR5750, RX-V450, HTR-5740, DSP-AX450

Key Input(A-D) Pull-Up Resistance 10 k-Ohms

Ohm	+0.0 k	+1.0 k	+1.5 k	+2.2 k	+3.3 k	+4.7 k	+6.8 k	+10.0 k	+22.0 k
ADKEY 0	~0.3	~0.7	~1.0	~1.5	~2.0	~2.6	~3.1	~3.8	~4.1
9SPin P102/AN2	MODE	MODE	MODE	PRESET/TUNING	PRESET/TUNING	PRESET/TUNING	PROGRAM	SPEAKER	SPEAKER
ADKEY 1	MULTI-CH INPUT	MEMORY	FM/AM	PRESET/TUNING	MODE	PTYSEEK	START	EON	RDS
9SPin P101/AN1	INPUT	MODE	MODE	MODE	MODE	MODE	MODE	MODE	MODE

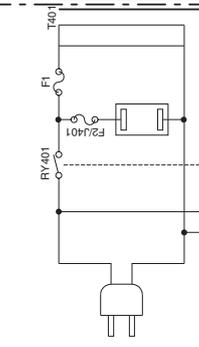


**■ BLOCK DIAGRAM (2/2)**



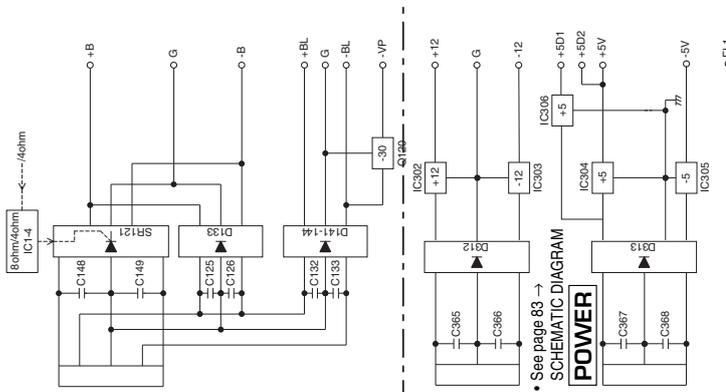
**SUB TRANS**

• See page 84 → SCHEMATIC DIAGRAM



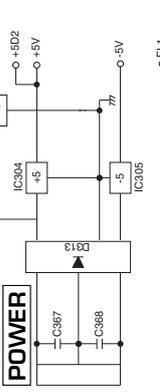
**MAIN**

• See page 82 → SCHEMATIC DIAGRAM



**POWER**

• See page 83 → SCHEMATIC DIAGRAM

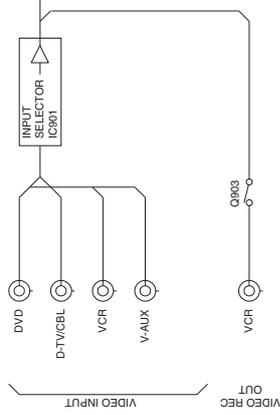


**FUNCTION [3]**

• See page 77, 79 → SCHEMATIC DIAGRAM

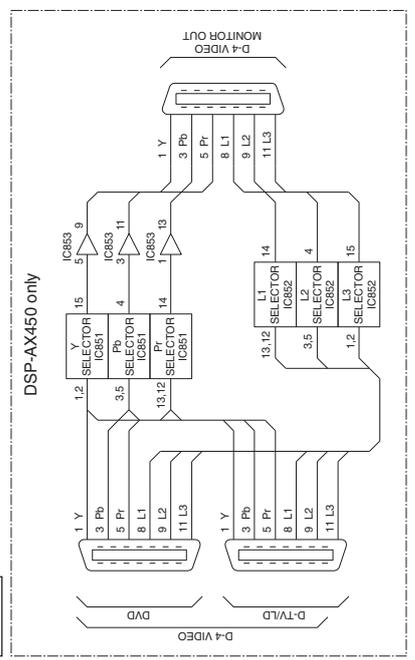
**FUNCTION [4]**

• See page 77, 79 → SCHEMATIC DIAGRAM



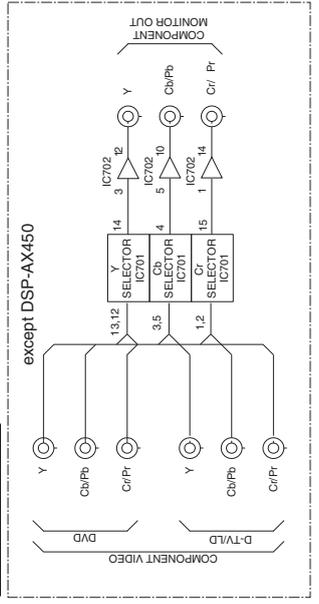
**VIDEO**

• See page 85 → SCHEMATIC DIAGRAM



**FUNCTION [7]**

• See page 77, 79 → SCHEMATIC DIAGRAM



• See page 77, 79 → SCHEMATIC DIAGRAM

**FUNCTION [2]**



■ PRINTED CIRCUIT BOARD (Foil side)

DSP P. C. B. (Lead Type Device)

Except DSP-AX450

DSP P. C. B. (Surface Mount Device)

• Semiconductor Location

Ref. no.	Location	Ref. no.	Location
D1	I3	D6	I11
D2	I3	C3	I12
D3	F3	E4	I13
D4	G3	E3	I14
D5	F4	E3	I16
D6	F4	E3	I18
D7	F4	E3	I19
D8	G4	E7	I20
D9	C6	I8	I21
D10	C6	I10	I22
D11	C6	I10	I22

Circuit No.	J	U	C	A	B	G	E	L	R	T	K	O
RX-V450/HTR-5740/DSP-AX450												
R57												

X: NOT USED  
O: USED / APPLICABLE

RX-V550, HTR-5750,  
DSP-AX450 only

Except DSP-AX450

RX-V550, HTR-5750,  
DSP-AX450 only

DIGITAL INPUT

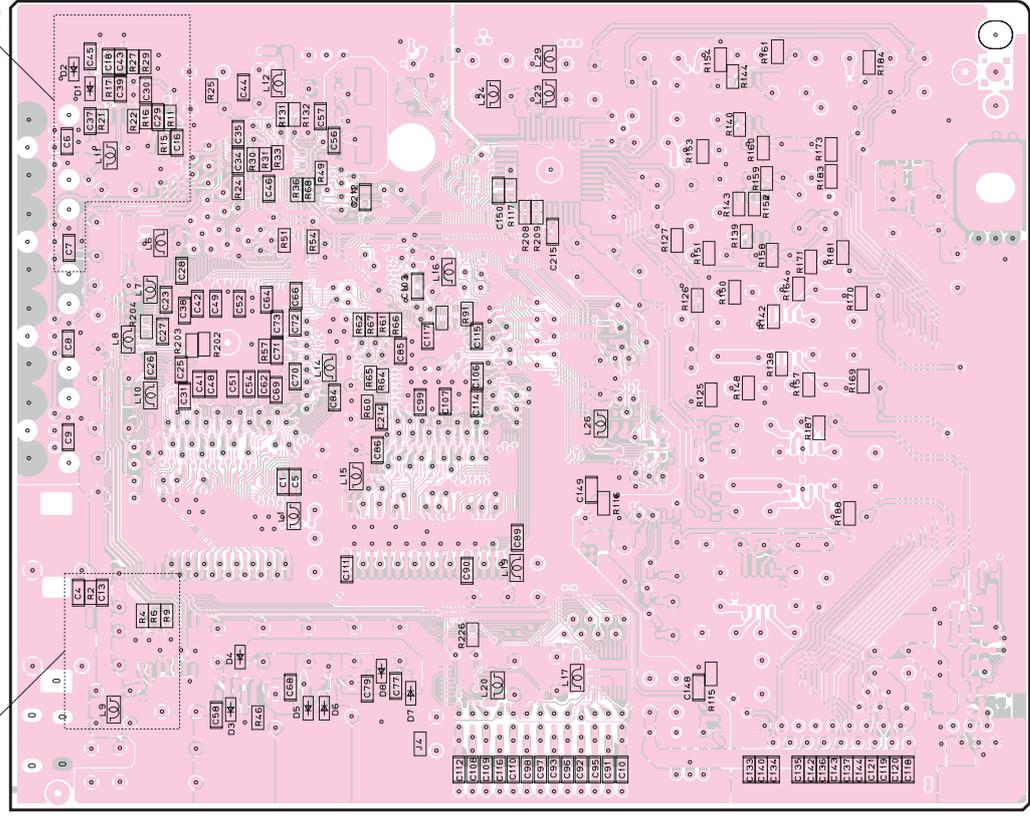
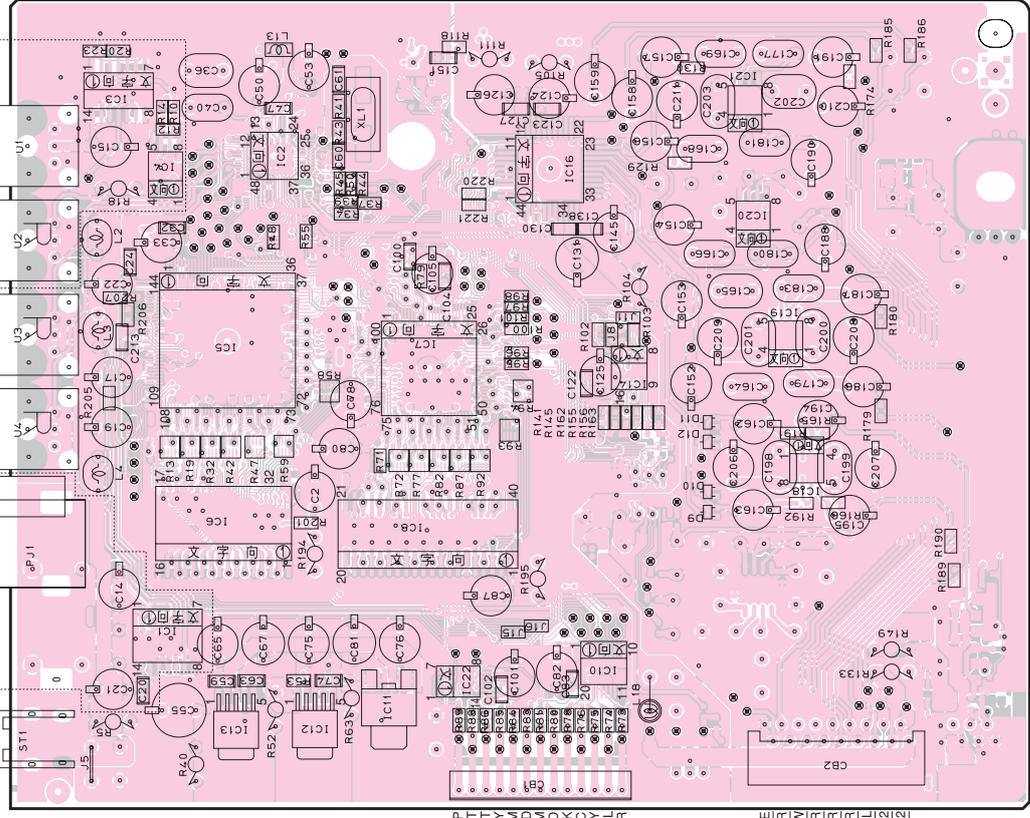
OPTICAL MID/CD-R

DVD DTV/CBL

COAXIAL CD

DIGITAL OUTPUT

MID/CD-R



- FUNCTION (2)
- /INTSP
- /MVB
- /ICV
- /ICADM
- /SDM
- /SDD
- /CSAC
- /CSY
- /CSADMADL
- /CSDIR

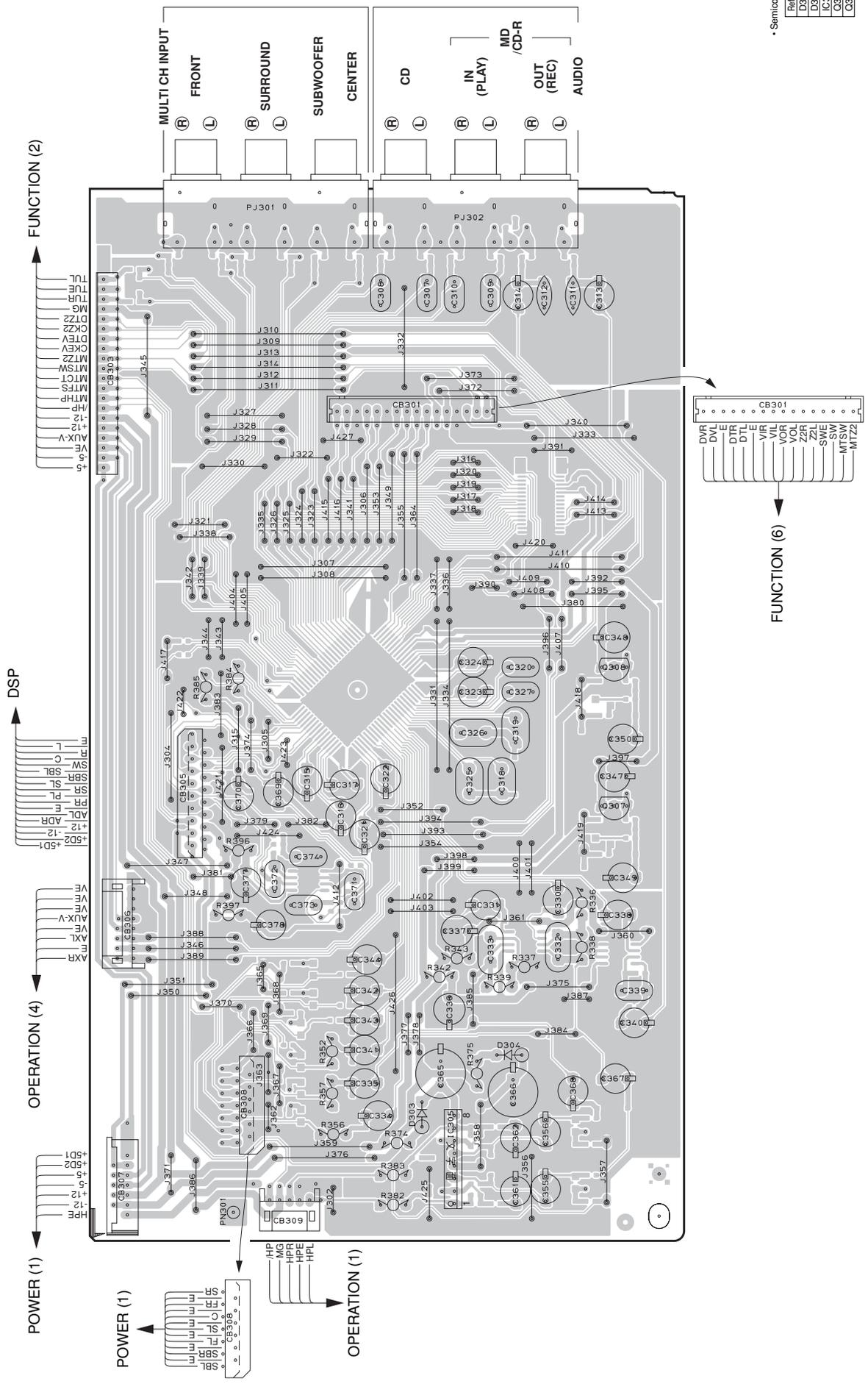
- L
- ER
- SBL
- SBR
- SL
- SR
- PL
- PR
- E
- ADL
- ADR
- +12
- +5D1

FUNCTION (1)

RX-V550/HTR-5750  
RX-V450/HTR-5740/DSP-AX450

**PRINTED CIRCUIT BOARD (Foil side) RX-V550**

**FUNCTION (1) P. C. B. (Lead Type Device)**

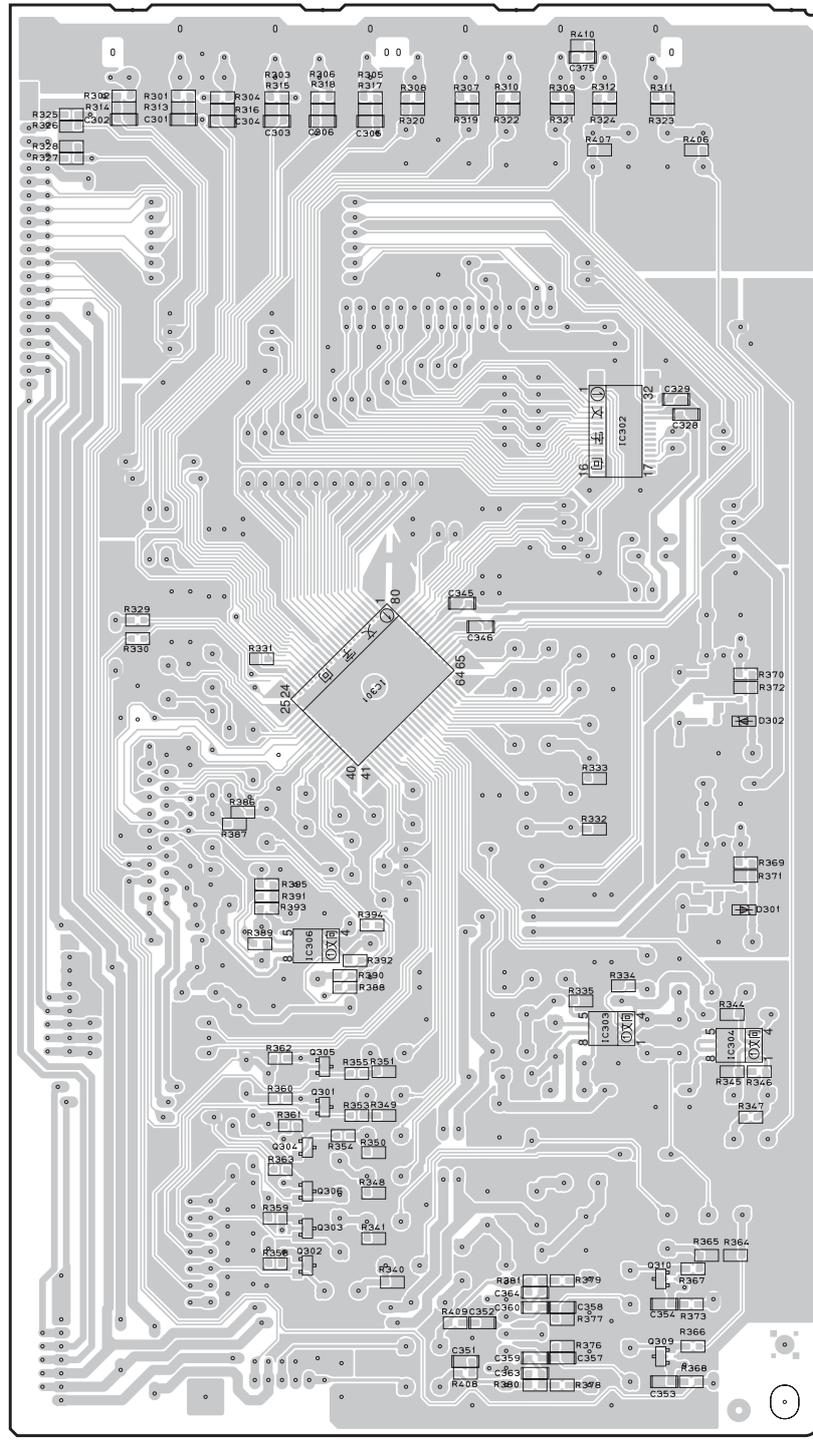


A B C D E F G H I J

RX-V550/HTR-5750  
RX-V450/HTR-5740/DSP-AX450

**PRINTED CIRCUIT BOARD (Foil side) RX-V550**

**FUNCTION (1) P. C. B. (Surface Mount Device)**



• Semiconductor Location

Ref. No.	Location
D301	D6
D302	E6
IC301	E4
IC302	G5
IC303	D5
IC304	D6
IC305	D4
IC306	C4
IC307	C4
IC308	C4
IC309	D4
IC310	B5
IC311	B5

Circuit No.	U	C	A	B	G	E	L	R	T	K
C328, 329										
IC302										

X: NOT USED  
O: USED / APPLICABLE

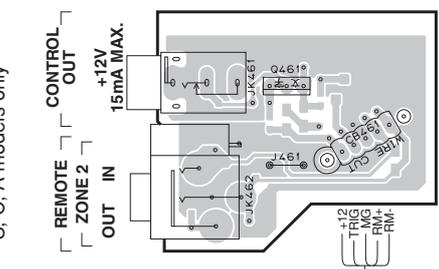
RX-V550/HTR-5750  
RX-V450/HTR-5740/DSP-AX450

**PRINTED CIRCUIT BOARD (Foil side) RX-V550**

**FUNCTION (2) P. C. B. (Lead Type Device)**

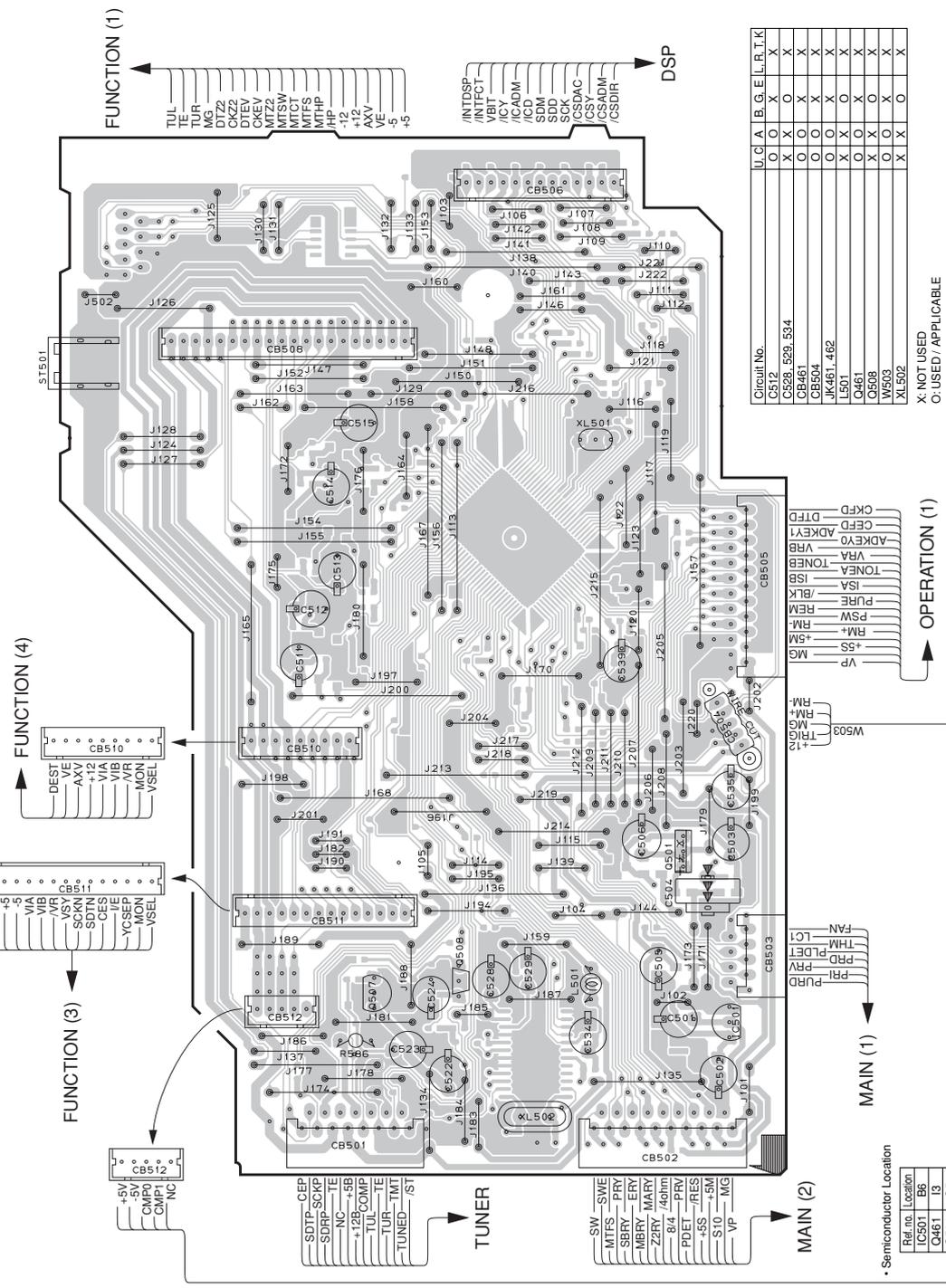
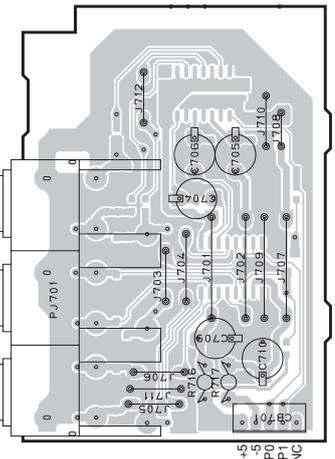
**FUNCTION (5) P. C. B. (Lead Type Device)**

U, C, A models only



**FUNCTION (7) P. C. B. (Lead Type Device)**

COMPONENT VIDEO  
DVD  
DTV /CBL  
MONITOR OUT



Circuit No.	U	C	A	B	G	E	L	R	T	K
CS26	X									X
CS28	X									X
CS29	X									X
CS504	O	O	O	O	O	O	O	O	O	X
JK461, 462	O	O	O	O	O	O	O	O	O	X
L501	O	O	O	O	O	O	O	O	O	X
Q461	O	O	O	O	O	O	O	O	O	X
CS508	O	O	O	O	O	O	O	O	O	X
W503	O	O	O	O	O	O	O	O	O	X
XL502	X	X	X	X	X	X	X	X	X	X

X: NOT USED  
O: USED / APPLICABLE

\* Semiconductor Location

Ref. no.	Location
IC501	B6
Q461	I9
CS501	C5
CS507	C4
CS508	C4

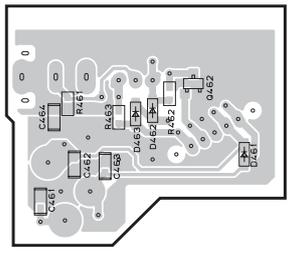
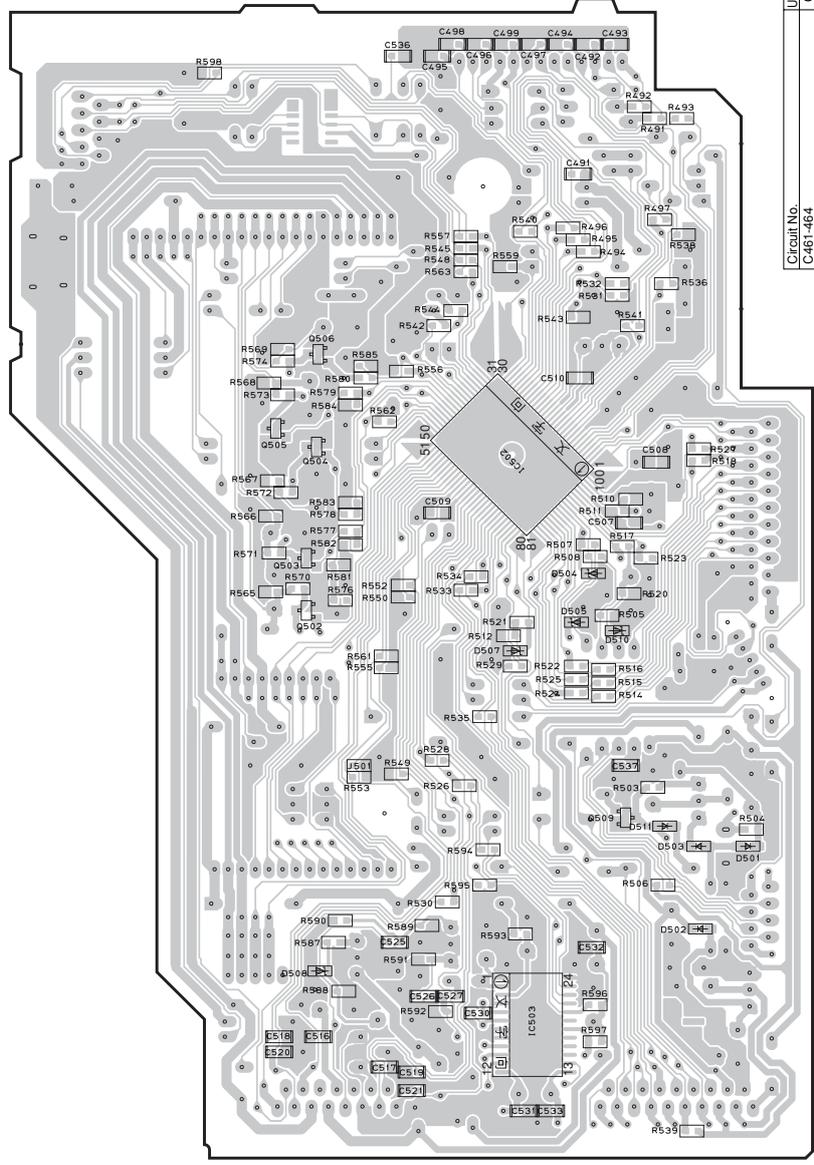


**PRINTED CIRCUIT BOARD (Foil side) RX-V550**

**FUNCTION (2) P. C. B. (Surface Mount Device)**

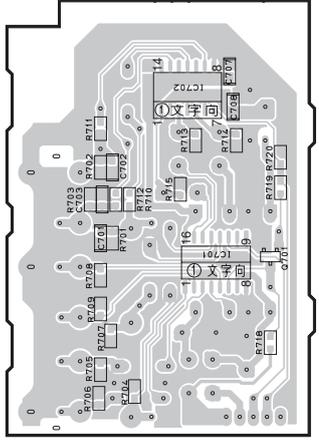
**FUNCTION (5) P. C. B.**

(Surface Mount Device)  
U, C, A models only



**FUNCTION (7) P. C. B.**

(Surface Mount Device)



Circuit No.	U	C	A	B	G	E	L	R	T	K
C461-464	X	O	X	X	X	X	X	X	X	X
C525-527, 530-533	X	O	X	X	X	X	X	X	X	X
D461-463	X	O	X	X	X	X	X	X	X	X
IC503	X	O	X	X	X	X	X	X	X	X
J501	O	O	X	X	X	X	X	X	O	O
Q462	O	O	X	X	X	X	X	X	X	X
Q503	O	O	X	X	X	X	X	X	X	X
R461-463	O	O	X	X	X	X	X	X	X	X
R566, 571, 577	O	O	X	X	X	X	X	X	X	X
R549	O	O	X	X	X	X	X	X	X	X
R552	O	O	X	X	X	X	X	X	X	X
R553	O	O	X	X	X	X	X	X	X	X
R555	O	O	X	X	X	X	X	X	X	X
R561, 589, 590-597	X	O	X	X	X	X	X	X	X	X

X: NOT USED  
O: USED / APPLICABLE

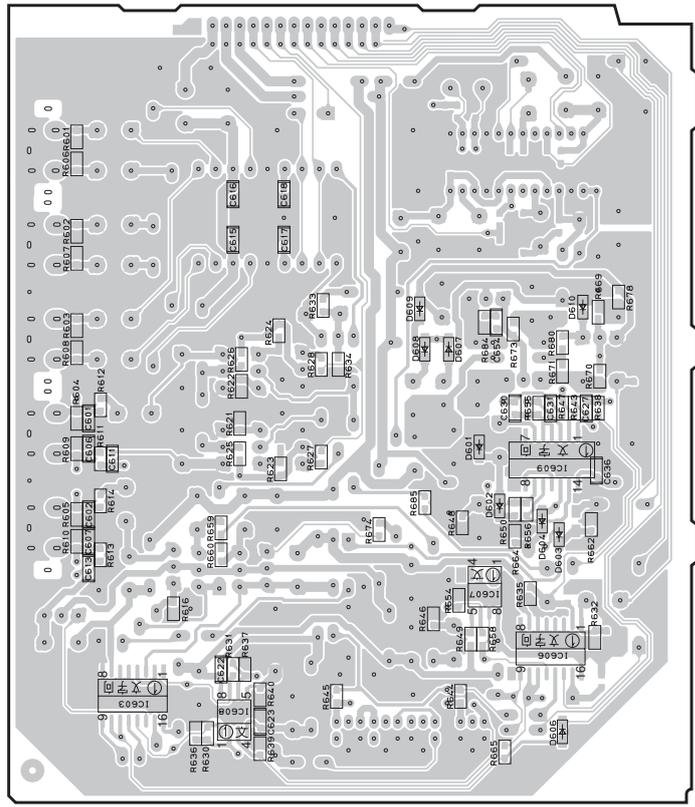
• Semiconductor Location

Ref. no.	Location	Ref. no.	Location
D461	I3	D507	D4
D462	I3	D508	B4
D463	I3	D510	D5
D501	C6	D511	C5
D502	C5	IC502	B5
D503	C5	IC503	B5
D504	D5	IC701	I6
D505	D5	IC702	J6
		G701	I7

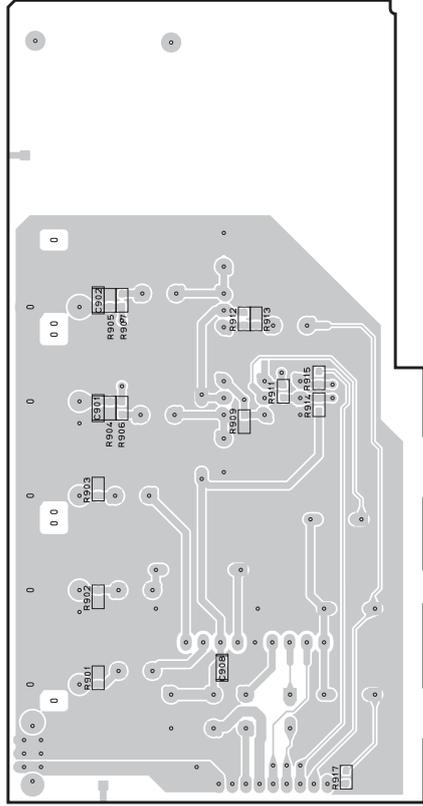


**PRINTED CIRCUIT BOARD (Foil side)      RX-V550**

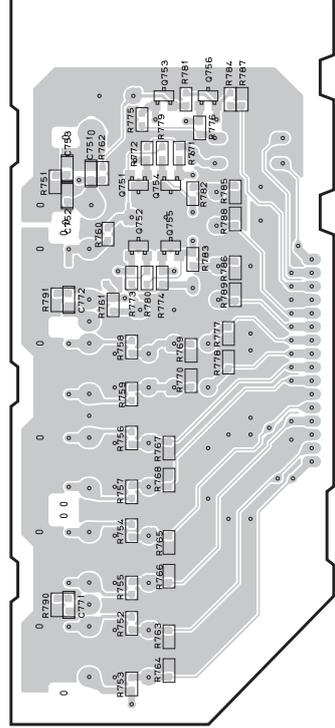
**FUNCTION (3) P. C. B.      (Surface Mount Device)**



**FUNCTION (4) P. C. B.      (Surface Mount Device)**



**FUNCTION (8) P. C. B.      (Surface Mount Device)**



• Semiconductor Location

Ref. no.	Location	Ref. no.	Location
D601	B4	IC606	A5
D602	B5	IC607	B4
D603	B5	IC608	A3
D604	B5	IC609	B5
D606	A5	O751	I6
D607	C4	O752	I6
D608	C4	O753	I6
D609	C4	O754	I6
D610	C5	O755	I6
IC603	A3	O756	I6

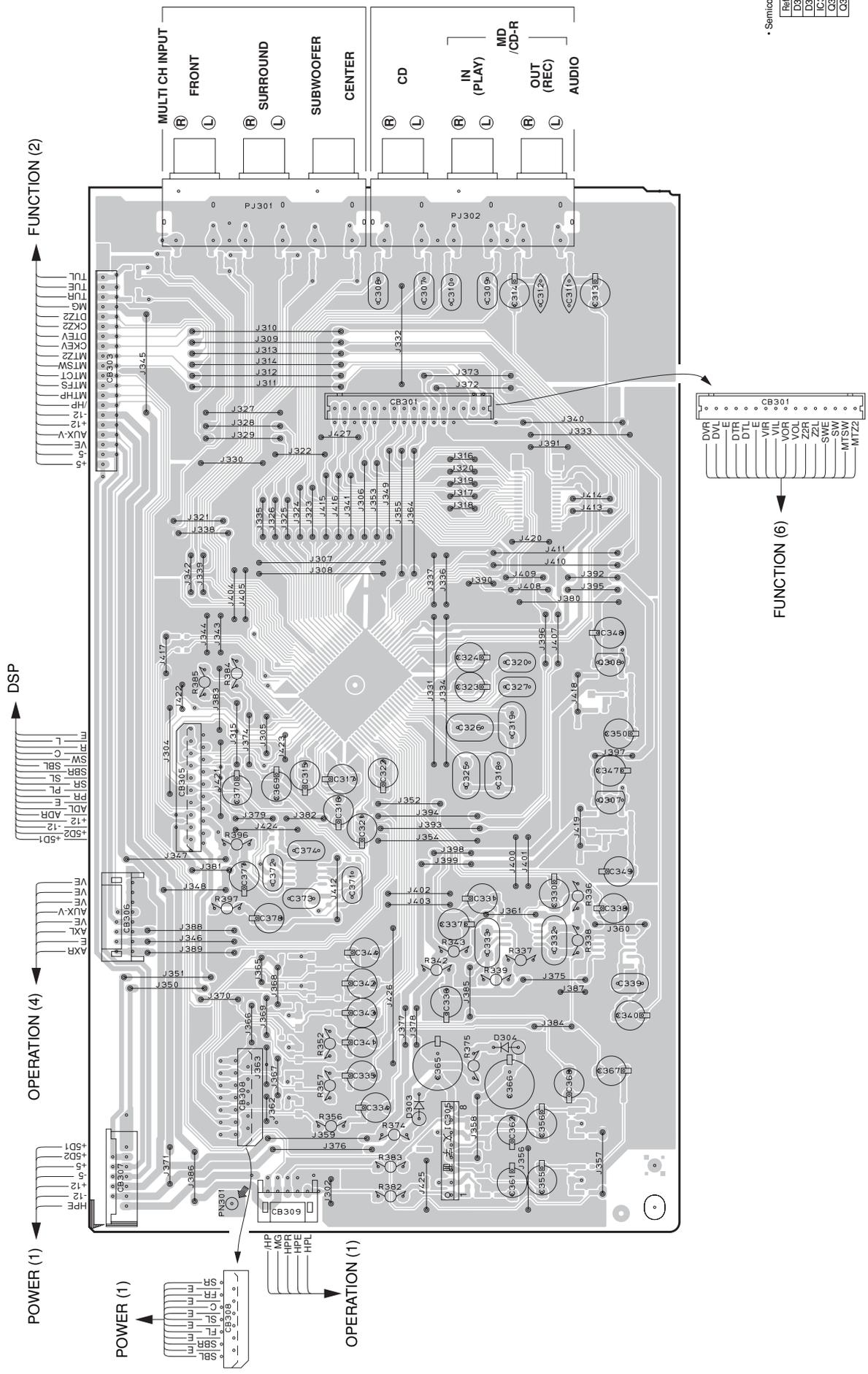
Circuit No.	U	C	A	B	G	E	L	R	T	K
C772				O						X
O751, 752, 754, 755				O						X
R760, 761, 771-774, 779, 780, 782, 783				O						X
R785, 786, 788, 789, 791										

X: NOT USED  
O: USED / APPLICABLE

RX-V550/HTR-5750  
RX-V450/HTR-5740/DSP-AX450

**PRINTED CIRCUIT BOARD (Foil side) HTR-5750 RX-V450/HTR-5740/DSP-AX450**

**FUNCTION (1) P. C. B. (Lead Type Device)**



Semiconductor Location

Ref. no.	Location
D903	C4
D904	C5
IC905	B4
C907	E6
C908	F6

A

B

C

D

E

F

G

H

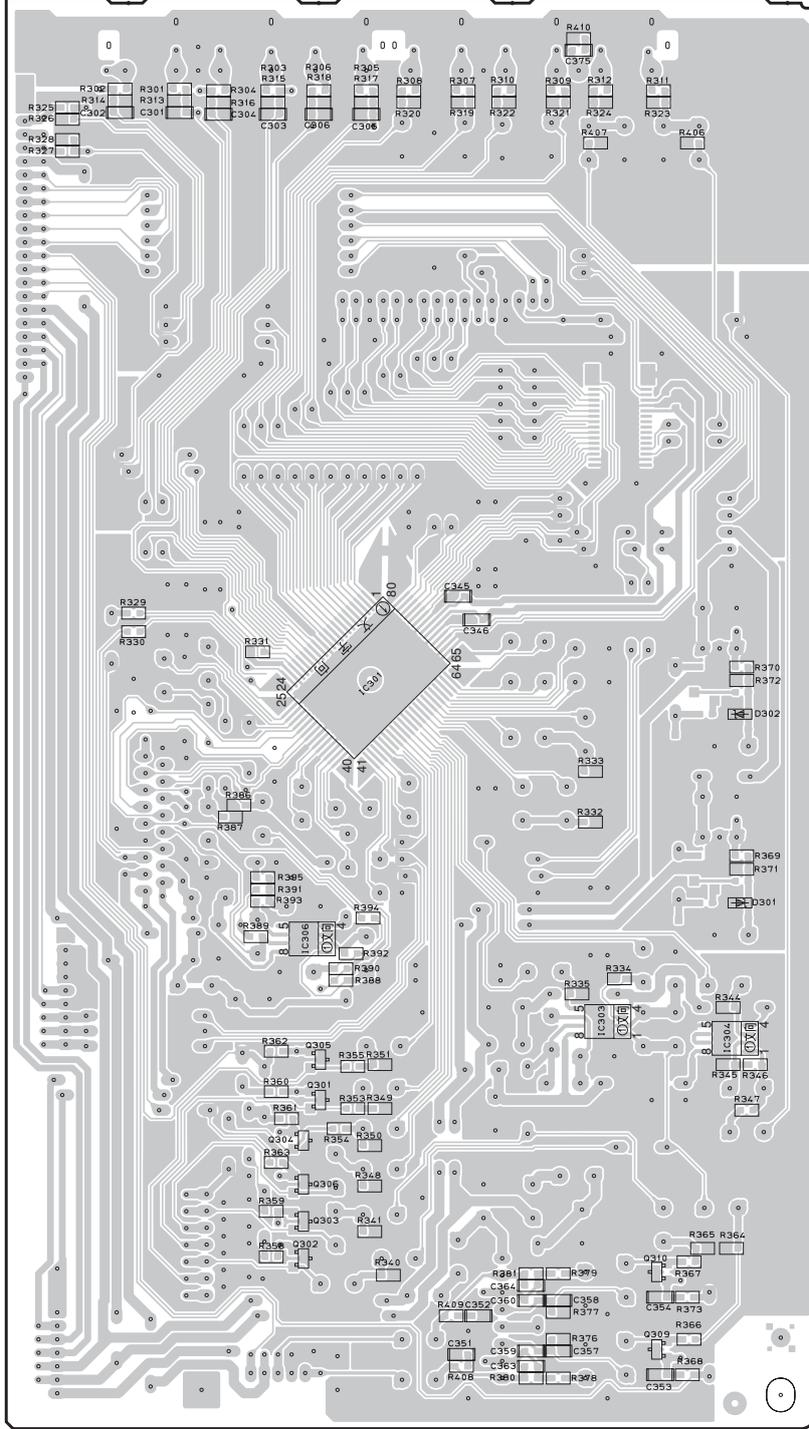
I

J

RX-V550/HTR-5750  
RX-V450/HTR-5740/DSP-AX450

■ PRINTED CIRCUIT BOARD (Foil side) HTR-5750 RX-V450/HTR-5740/DSP-AX450

FUNCTION (1) P. C. B. (Surface Mount Device)



• Semiconductor Location

Ref. No.	Location
D301	D6
D302	E6
LC301	E4
LC303	D5
LC304	D6
Q301	C4
Q302	C4
Q303	C4
Q304	C4
Q305	D4
Q306	C4
Q309	B5
Q310	B5

1

2

3

4

5

6

7



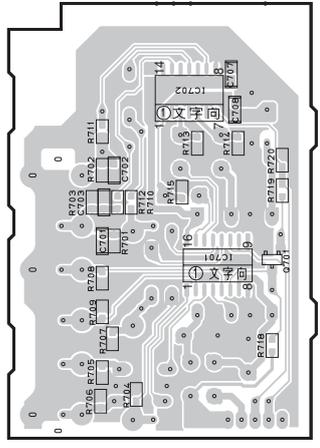
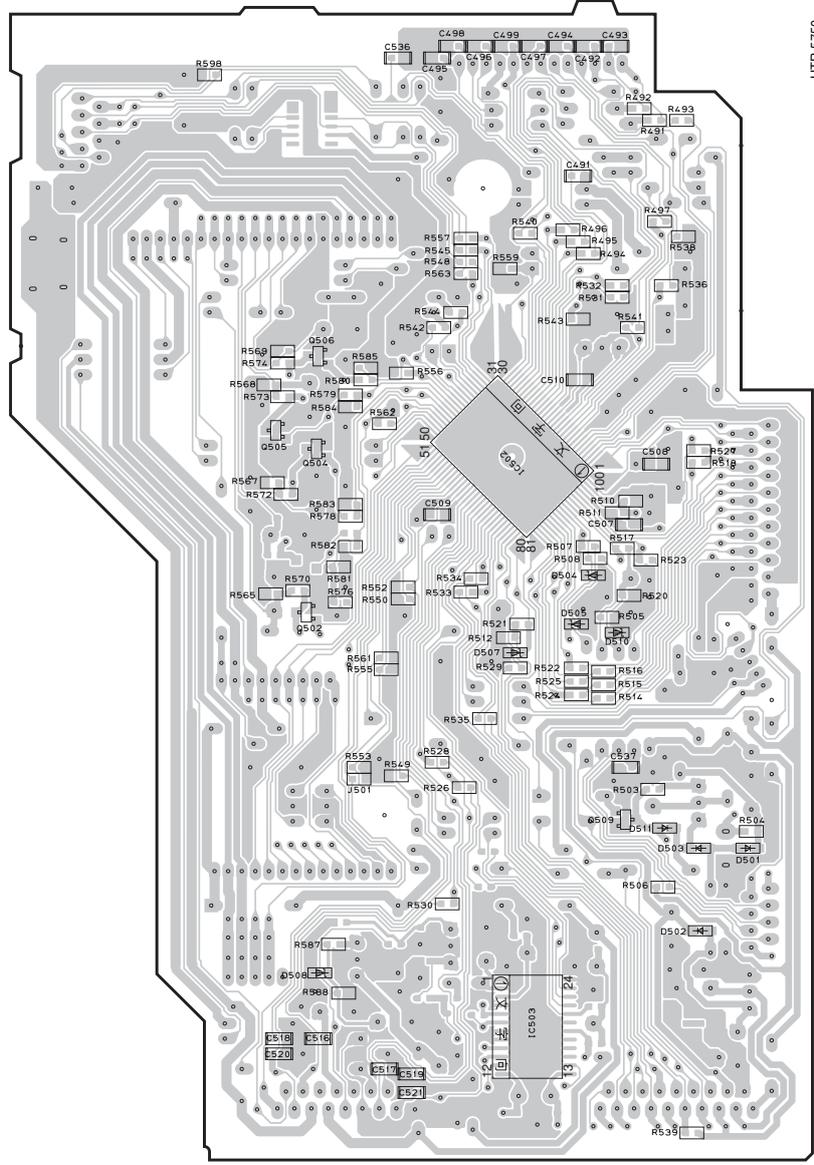
A B C D E F G H I J

RX-V550/HTR-5750  
RX-V450/HTR-5740/DSP-AX450

■ PRINTED CIRCUIT BOARD (Foil side) **HTR-5750** **RX-V450/HTR-5740/DSP-AX450**

**FUNCTION (2) P. C. B.** (Surface Mount Device)

**FUNCTION (7) P. C. B.**  
(Surface Mount Device)  
Except DSP-AX450



HTR-5750

Circuit No.	U	C	A	T	K
R549, 555	X				
R552, 553	O				

RX-V450/HTR-5740/DSP-AX450

Circuit No.	J	U	C	A	B	G	E	L	R	T
IC500	X	X	X	X	X	X	X	X	X	X
IC501	X	X	X	X	X	X	X	X	X	X
IC502	X	X	X	X	X	X	X	X	X	X
IC503	X	X	X	X	X	X	X	X	X	X
IC504	X	X	X	X	X	X	X	X	X	X
IC505	X	X	X	X	X	X	X	X	X	X
IC506	X	X	X	X	X	X	X	X	X	X
IC507	X	X	X	X	X	X	X	X	X	X
IC508	X	X	X	X	X	X	X	X	X	X
IC509	X	X	X	X	X	X	X	X	X	X
IC510	X	X	X	X	X	X	X	X	X	X
IC511	X	X	X	X	X	X	X	X	X	X
IC512	X	X	X	X	X	X	X	X	X	X
IC513	X	X	X	X	X	X	X	X	X	X
IC514	X	X	X	X	X	X	X	X	X	X
IC515	X	X	X	X	X	X	X	X	X	X
IC516	X	X	X	X	X	X	X	X	X	X
IC517	X	X	X	X	X	X	X	X	X	X
IC518	X	X	X	X	X	X	X	X	X	X
IC519	X	X	X	X	X	X	X	X	X	X
IC520	X	X	X	X	X	X	X	X	X	X
IC521	X	X	X	X	X	X	X	X	X	X
IC522	X	X	X	X	X	X	X	X	X	X
IC523	X	X	X	X	X	X	X	X	X	X
IC524	X	X	X	X	X	X	X	X	X	X
IC525	X	X	X	X	X	X	X	X	X	X
IC526	X	X	X	X	X	X	X	X	X	X
IC527	X	X	X	X	X	X	X	X	X	X
IC528	X	X	X	X	X	X	X	X	X	X
IC529	X	X	X	X	X	X	X	X	X	X
IC530	X	X	X	X	X	X	X	X	X	X
IC531	X	X	X	X	X	X	X	X	X	X
IC532	X	X	X	X	X	X	X	X	X	X
IC533	X	X	X	X	X	X	X	X	X	X
IC534	X	X	X	X	X	X	X	X	X	X
IC535	X	X	X	X	X	X	X	X	X	X
IC536	X	X	X	X	X	X	X	X	X	X
IC537	X	X	X	X	X	X	X	X	X	X
IC538	X	X	X	X	X	X	X	X	X	X
IC539	X	X	X	X	X	X	X	X	X	X
IC540	X	X	X	X	X	X	X	X	X	X
IC541	X	X	X	X	X	X	X	X	X	X
IC542	X	X	X	X	X	X	X	X	X	X
IC543	X	X	X	X	X	X	X	X	X	X
IC544	X	X	X	X	X	X	X	X	X	X
IC545	X	X	X	X	X	X	X	X	X	X
IC546	X	X	X	X	X	X	X	X	X	X
IC547	X	X	X	X	X	X	X	X	X	X
IC548	X	X	X	X	X	X	X	X	X	X
IC549	X	X	X	X	X	X	X	X	X	X
IC550	X	X	X	X	X	X	X	X	X	X
IC551	X	X	X	X	X	X	X	X	X	X
IC552	X	X	X	X	X	X	X	X	X	X
IC553	X	X	X	X	X	X	X	X	X	X
IC554	X	X	X	X	X	X	X	X	X	X
IC555	X	X	X	X	X	X	X	X	X	X
IC556	X	X	X	X	X	X	X	X	X	X
IC557	X	X	X	X	X	X	X	X	X	X
IC558	X	X	X	X	X	X	X	X	X	X
IC559	X	X	X	X	X	X	X	X	X	X
IC560	X	X	X	X	X	X	X	X	X	X
IC561	X	X	X	X	X	X	X	X	X	X
IC562	X	X	X	X	X	X	X	X	X	X
IC563	X	X	X	X	X	X	X	X	X	X
IC564	X	X	X	X	X	X	X	X	X	X
IC565	X	X	X	X	X	X	X	X	X	X
IC566	X	X	X	X	X	X	X	X	X	X
IC567	X	X	X	X	X	X	X	X	X	X
IC568	X	X	X	X	X	X	X	X	X	X
IC569	X	X	X	X	X	X	X	X	X	X
IC570	X	X	X	X	X	X	X	X	X	X
IC571	X	X	X	X	X	X	X	X	X	X
IC572	X	X	X	X	X	X	X	X	X	X
IC573	X	X	X	X	X	X	X	X	X	X
IC574	X	X	X	X	X	X	X	X	X	X
IC575	X	X	X	X	X	X	X	X	X	X
IC576	X	X	X	X	X	X	X	X	X	X
IC577	X	X	X	X	X	X	X	X	X	X
IC578	X	X	X	X	X	X	X	X	X	X
IC579	X	X	X	X	X	X	X	X	X	X
IC580	X	X	X	X	X	X	X	X	X	X
IC581	X	X	X	X	X	X	X	X	X	X
IC582	X	X	X	X	X	X	X	X	X	X
IC583	X	X	X	X	X	X	X	X	X	X
IC584	X	X	X	X	X	X	X	X	X	X
IC585	X	X	X	X	X	X	X	X	X	X
IC586	X	X	X	X	X	X	X	X	X	X
IC587	X	X	X	X	X	X	X	X	X	X
IC588	X	X	X	X	X	X	X	X	X	X
IC589	X	X	X	X	X	X	X	X	X	X
IC590	X	X	X	X	X	X	X	X	X	X
IC591	X	X	X	X	X	X	X	X	X	X
IC592	X	X	X	X	X	X	X	X	X	X
IC593	X	X	X	X	X	X	X	X	X	X
IC594	X	X	X	X	X	X	X	X	X	X
IC595	X	X	X	X	X	X	X	X	X	X
IC596	X	X	X	X	X	X	X	X	X	X
IC597	X	X	X	X	X	X	X	X	X	X
IC598	X	X	X	X	X	X	X	X	X	X
IC599	X	X	X	X	X	X	X	X	X	X
IC600	X	X	X	X	X	X	X	X	X	X

• Semiconductor Location

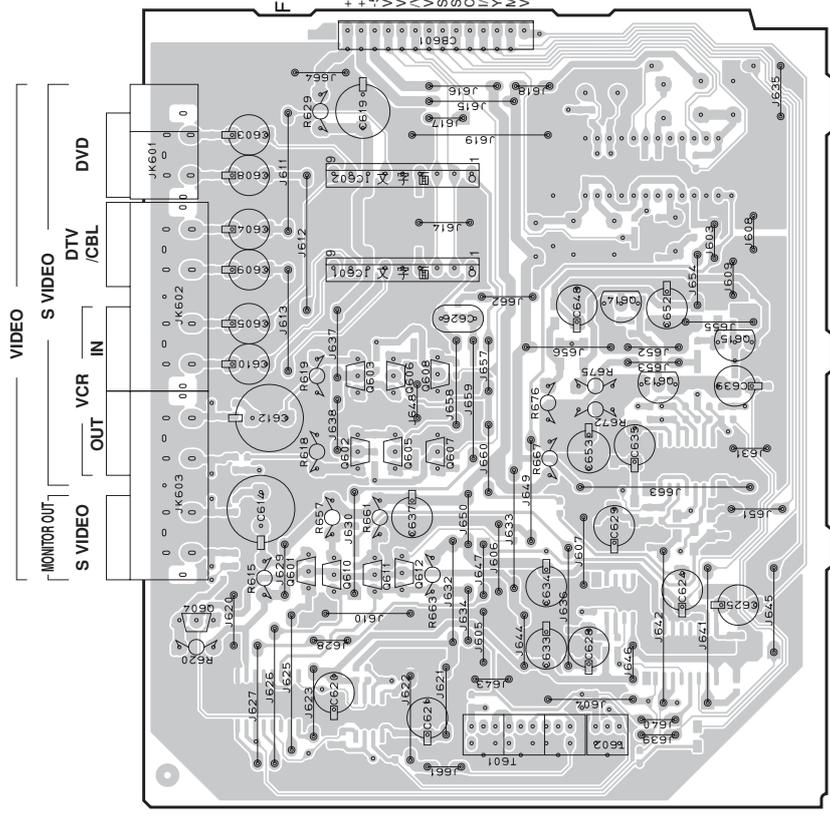
Ref. no.	Location	Ref. no.	Location
D500	C503	D500	C503
D501	C504	D501	C504
D502	C505	D502	C505
D503	C506	D503	C506
D504	C507	D504	C507
D505	C508	D505	C508
D506	C509	D506	C509
D507	C510	D507	C510
D508	C511	D508	C511
D509	C512	D509	C512
D510	C513	D510	C513
D511	C514	D511	C514
D512	C515	D512	C515
D513	C516	D513	C516
D514	C517	D514	C517
D515	C518	D515	C518
D516	C519	D516	C519
D517	C520	D517	C520
D518	C521	D518	C521
D519	C522	D519	C522
D520	C523	D520	C523
D521	C524	D521	C524
D522	C525	D522	C525
D523	C526	D523	C526
D524	C527	D524	C527
D525	C528	D525	C528
D526	C529	D526	C529
D527	C530	D527	C530
D528	C531	D528	C531
D529	C532	D529	C532
D530	C533	D530	C533
D531	C534	D531	C534
D532	C535	D532	C535
D533	C536	D533	C536
D534	C537	D534	C537
D535	C538	D535	C538
D536	C539	D536	C539
D537	C540	D537	C540
D538	C541	D538	C541
D539	C542	D539	C542
D540	C543	D540	C543
D541	C544	D541	C544
D542	C545	D542	C545
D543	C546	D543	C546
D544	C547	D544	C547
D545	C548	D545	C548
D546	C549	D546	C549
D547	C550	D547	C550
D548	C551	D548	C551
D549	C552	D549	C552
D550	C553	D550	C553
D551	C554	D551	C554
D552	C555	D552	C555
D553	C556	D553	C556
D554	C557	D554	C557
D555	C558	D555	C558
D556	C559	D556	C559
D557	C560	D557	C560
D558	C561	D558	C561
D559	C562	D559	C562
D560	C563	D560	C563
D561	C564	D561	C564
D562	C565	D562	C565
D563	C566	D563	C566
D564	C567	D564	C567
D565	C568	D565	C568
D566	C569	D566	C569
D567	C570	D567	C570
D568	C571	D568	C571
D569	C572	D569	C572
D570	C573	D570	C573
D571	C574	D571	C574
D572	C575	D572	C575
D573	C576	D573	C576
D574	C577	D574	C577
D575	C578	D575	C578
D576	C579	D576	C579
D577	C580	D577	C580
D578	C581	D578	C581
D579	C582	D579	C582
D580	C583	D580	C583
D581	C584	D581	C584

RX-V550/HTR-5750  
RX-V450/HTR-5740/DSP-AX450

**PRINTED CIRCUIT BOARD (Foil side) HTR-5750 RX-V450/HTR-5740/DSP-AX450**

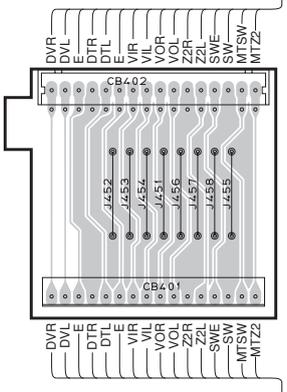
**FUNCTION (3) P. C. B. (Lead Type Device)**

HTR-5750, DSP-AX450 only



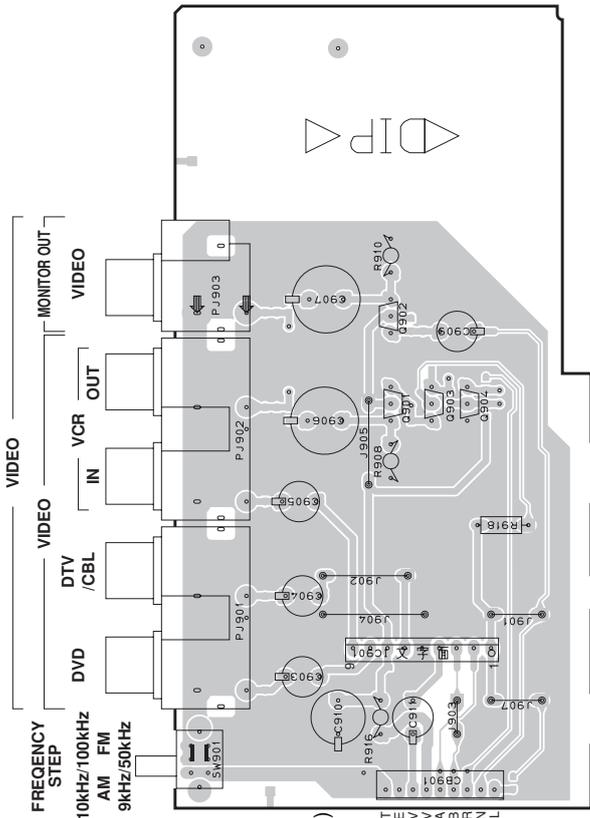
- FUNCTION (2)**
- +12
  - 5
  - VIA
  - VIB
  - VIR1
  - VSY
  - SCKN
  - CS
  - VIB
  - VIR
  - MON
  - VSEL

**FUNCTION (6) P. C. B. (Lead Type Device)**



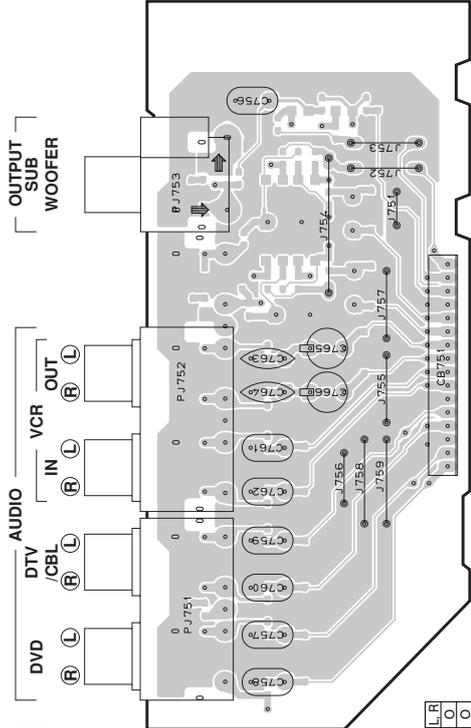
- FUNCTION (1)**
- DVR
  - DTR
  - DLR
  - E
  - VIR
  - VOL
  - Z2R
  - Z2L
  - SWE
  - SW
  - MTSW
  - MTZZ

**FUNCTION (4) P. C. B. (Lead Type Device)**



- FUNCTION (2)**
- DEST
  - VE
  - AUX.V
  - +12V
  - VIB
  - VIR
  - MON
  - VSEL

**FUNCTION (8) P. C. B. (Lead Type Device)**



- FUNCTION (8) P. C. B. (Lead Type Device)**
- DVR
  - DTR
  - DLR
  - E
  - VIR
  - VOL
  - Z2R
  - Z2L
  - SWE
  - SW
  - MTSW
  - MTZZ

Semiconductor Location

Ref. no.	Location	Ref. no.	Location
IC601	C3	Q610	B3
IC602	D3	Q611	B3
IC901	G4	Q612	B3
G601	B3	Q613	C5
G602	C3	Q614	C4
G603	C3	Q615	C5
G604	B2	G801	H3
G605	C3	G802	I3
G606	C3	G803	H4
G607	C4	G804	H4
G608	C4		

RX-V450/HTR-5740/DSP-AX450

Circuit No.	J	U	C	A	B	G	E	T	K	L	R
J901		X									
SW901		X									
T601_602											O
											X
											X

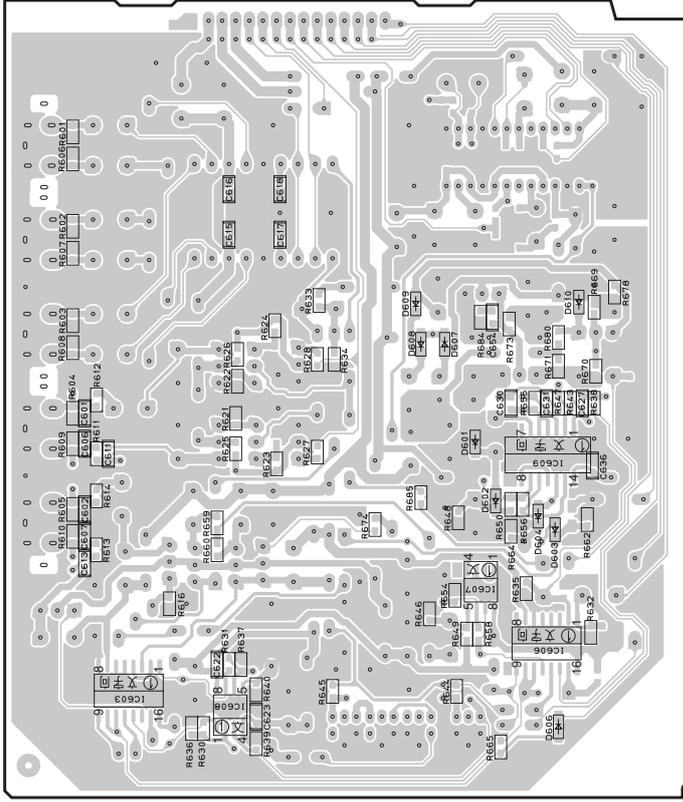
X: NOT USED  
O: USED / APPLICABLE



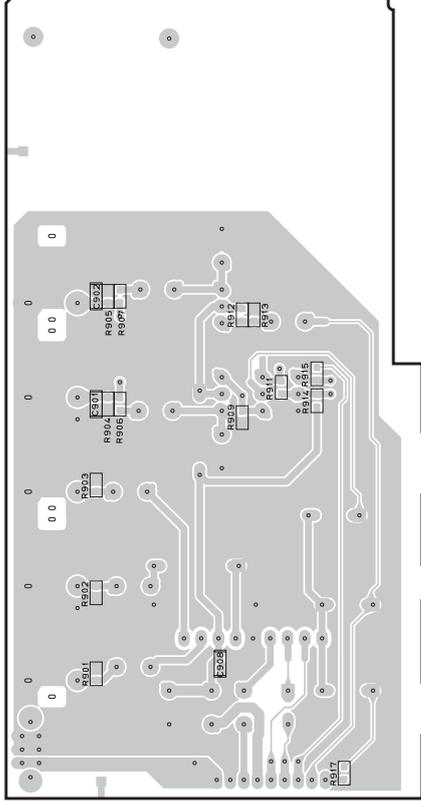
1 ■ PRINTED CIRCUIT BOARD (Foil side) **HTR-5750** **RX-V450/HTR-5740/DSP-AX450**

**FUNCTION (3) P. C. B.** (Surface Mount Device)

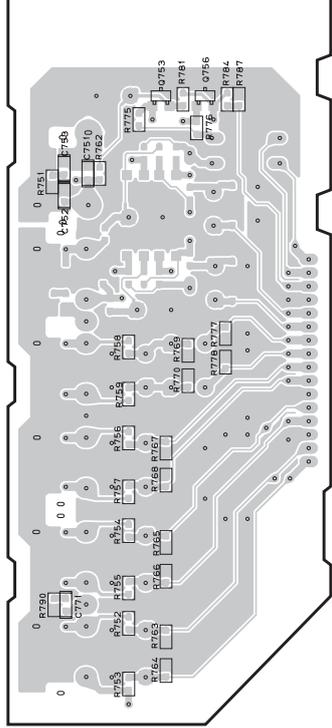
HTR-5750, DSP-AX450 only



**FUNCTION (4) P. C. B.** (Surface Mount Device)



**FUNCTION (8) P. C. B.**  
 (Surface Mount Device)



• Semiconductor Location

Ref. no.	Location	Ref. no.	Location
D601	B4	D610	C5
D602	B5	IC603	A3
D603	B5	IC606	A5
D604	B5	IC607	B4
D606	A5	IC608	A3
D607	C4	IC609	B5
D608	C4	O753	I6
D609	I4	O756	I6

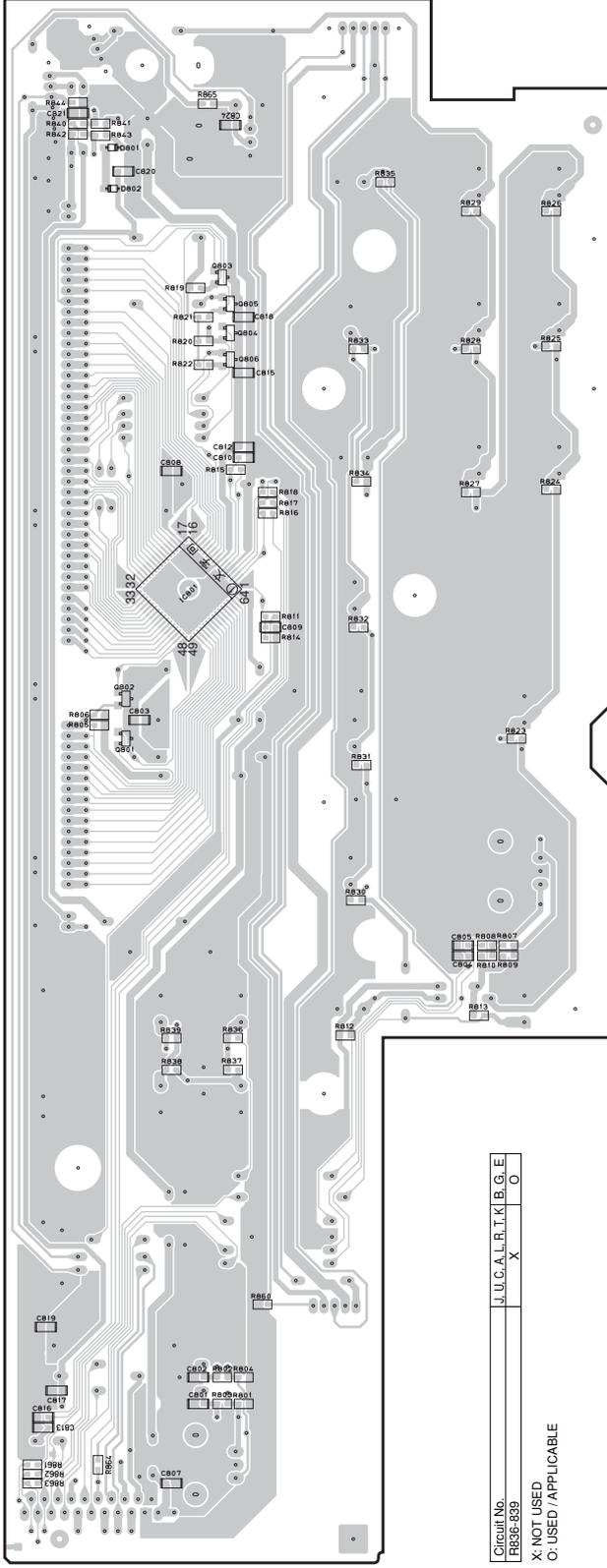






**PRINTED CIRCUIT BOARD (Foil side) HTR-5750 RX-V450/HTR-5740/DSP-AX450**

**OPERATION (1) P. C. B. (Surface Mount Device)**



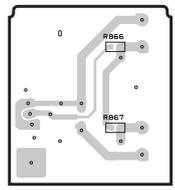
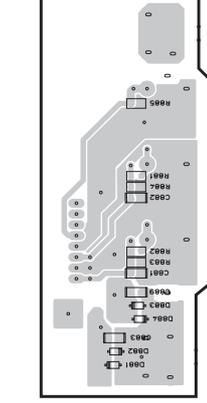
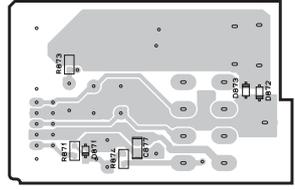
Circuit No.	J.U.C.A.L.R.T.K.B.G.E
R835-839	X
	O

X: NOT USED  
 O: USED / APPLICABLE

**OPERATION (3) P. C. B. (Surface Mount Device)**

**OPERATION (4) P. C. B. (Surface Mount Device)**

**OPERATION (5) P. C. B. (Surface Mount Device)**



• Semiconductor Location

Ref. no	Location
DG801	H2
DG802	H2
DG803	
DG871	D6
DG872	D7
DG873	D7
DG881	F6
DG882	F6
DG883	F6
DG884	F6
IC801	F3
Q0801	F2
Q0802	F2
Q0803	H3
Q0804	H3
Q0805	H3
Q0806	G3



■ PRINTED CIRCUIT BOARD (Foil side)

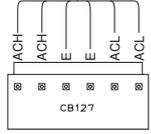
MAIN (2) P. C. B. (Lead Type Device)

Circuit No.	J	I	H	G	F	E	D	C	B	A
C130, 131, 134-137, 138-141	X	X	X	X	X	X	X	X	X	X
SW1	X	X	X	X	X	X	X	X	X	X

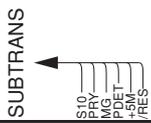
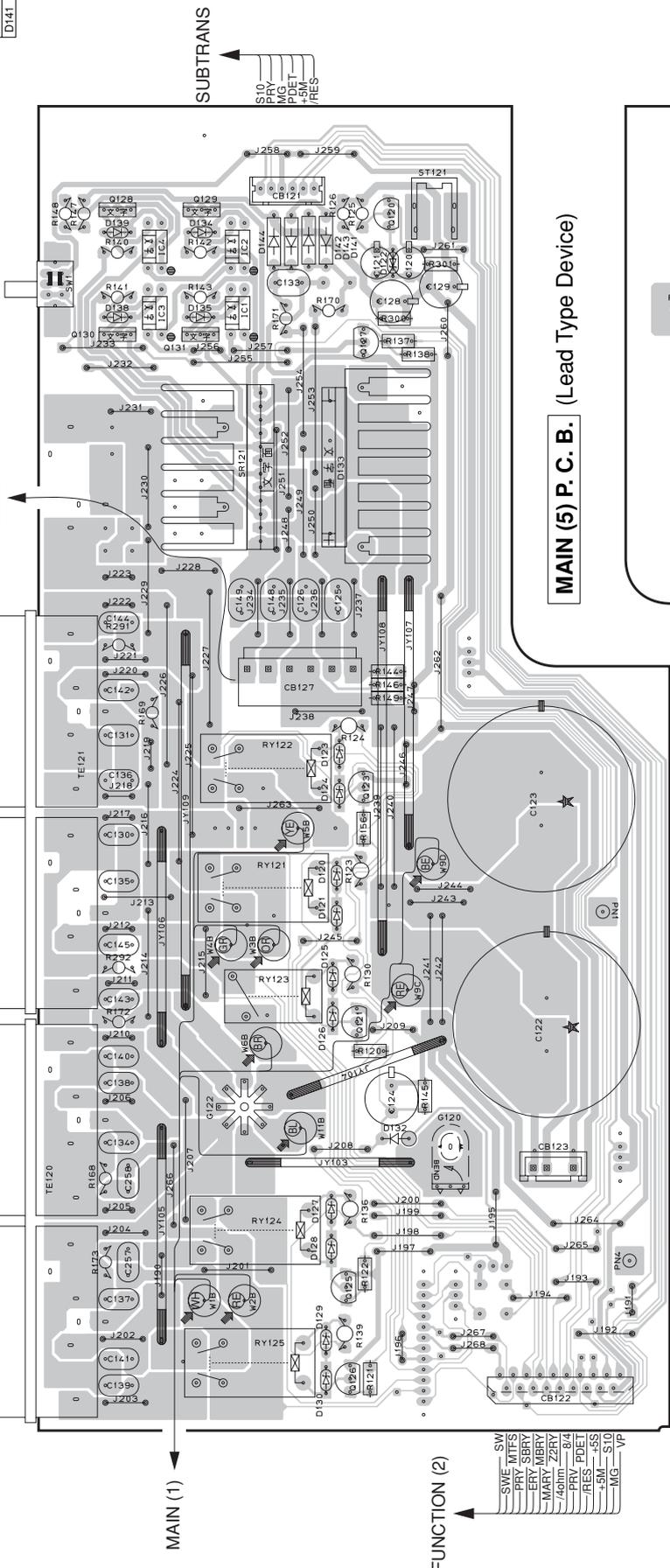
X: NOT USED  
O: USED / APPLICABLE

• Semiconductor Location

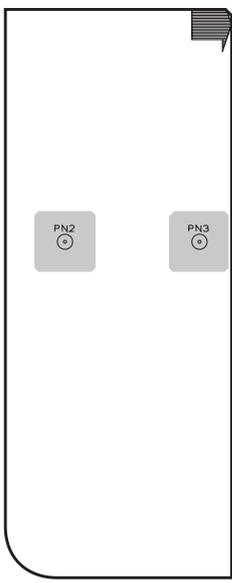
Ref. no.	Location	Ref. no.	Location
D120	D5	D142	H4
D121	D5	D143	H4
D122	H5	D144	H4
D123	E5	IC1	H4
D124	E5	IC2	H4
D125	D5	IC3	H4
D126	D5	IC4	H4
D127	C5	O120	H5
D128	C5	O121	D5
D129	B4	O123	E5
D130	B4	O125	B5
D132	C5	O126	B5
D133	G5	O127	H5
D134	H4	O128	H5
D135	H4	O129	H4
D138	H3	O130	H3
D139	H3	O131	H4
D141	H4		



POWER TRANSFORMER



MAIN (5) P. C. B. (Lead Type Device)



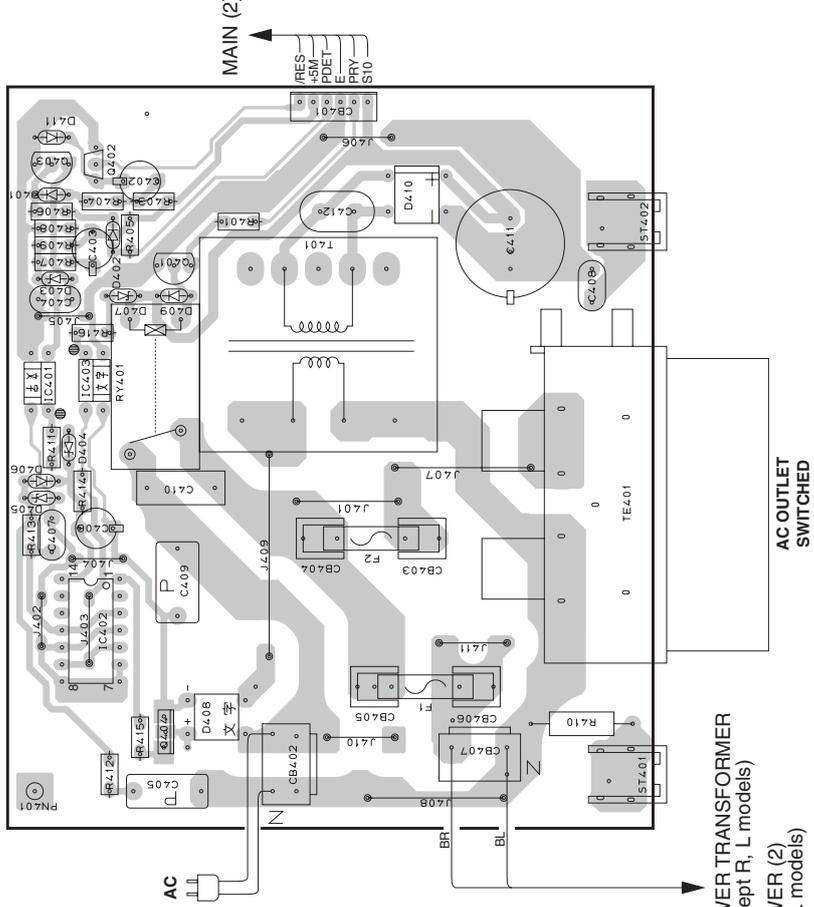
SW	VP
SWE	VP
MIFS	VP
PRY	SBRV
ERY	MBRY
MARY	ZARY
40M	8/4
RES	PDET
RES	+5S
MG	S10
VP	VP





■ PRINTED CIRCUIT BOARD (Foil side)

**SUBTRANS P. C. B. (Lead Type Device)**



Circuit No.	J	U	A	L	R	T	K	B	G	E
CB403_404	X	O	X	X	X	O				
F2	X	O	X	X	X	O				
J401	O	X	O	X	O	X				
R410	X	X	O	X	X	X	X	X	X	X

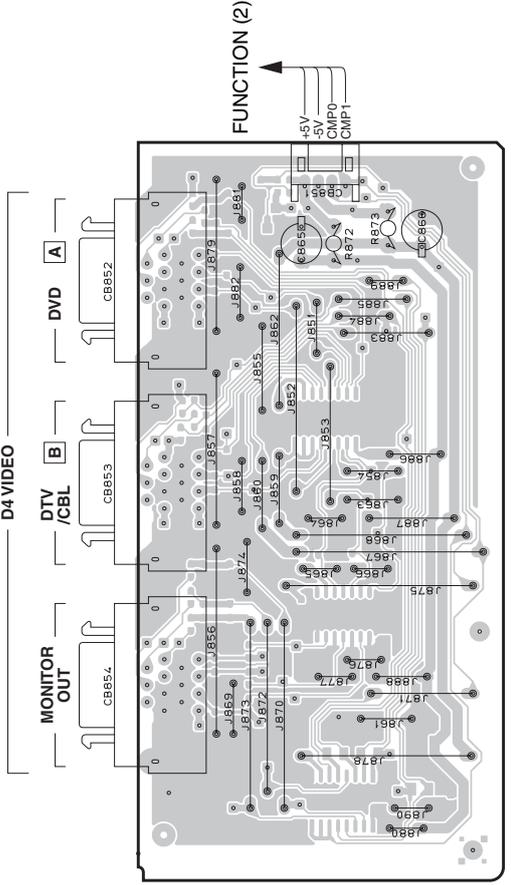
X: NOT USED  
O: USED / APPLICABLE

• Semiconductor Location

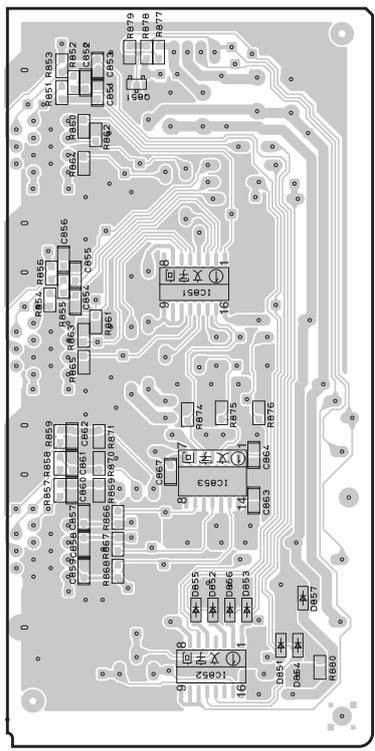
Ref. no.	Location	Ref. no.	Location	Ref. no.	Location
D0401	D2	D0407	D2	IC402	B2
D0402	D2	D0408	B2	IC403	C1
D0403	D2	D0409	D2	OB401	D2
D0404	C2	D0410	D3	OB402	E2
D0405	C2	D0411	E2	OB403	E2
D0406	C2	IC401	C2	OB404	B2

**DSP-AX450**

**VIDEO P. C. B. (Lead Type Device)**



**VIDEO P. C. B. (Surface Mount Device)**



• Semiconductor Location

Ref. no.	Location	Ref. no.	Location
D0851	F6	IC851	F6
D0852	G6	IC852	G6
D0853	F6	IC853	G6
D0854	F6	IC854	G6
D0855	G6	IC855	G7
D0856	G6	IC856	F6
D0857	G7	IC857	G6
IC851	F6	Q0851	B6
IC852	F6		
IC853	G6		
Q0851	B6		

■ PIN CONNECTION DIAGRAM

• ICs

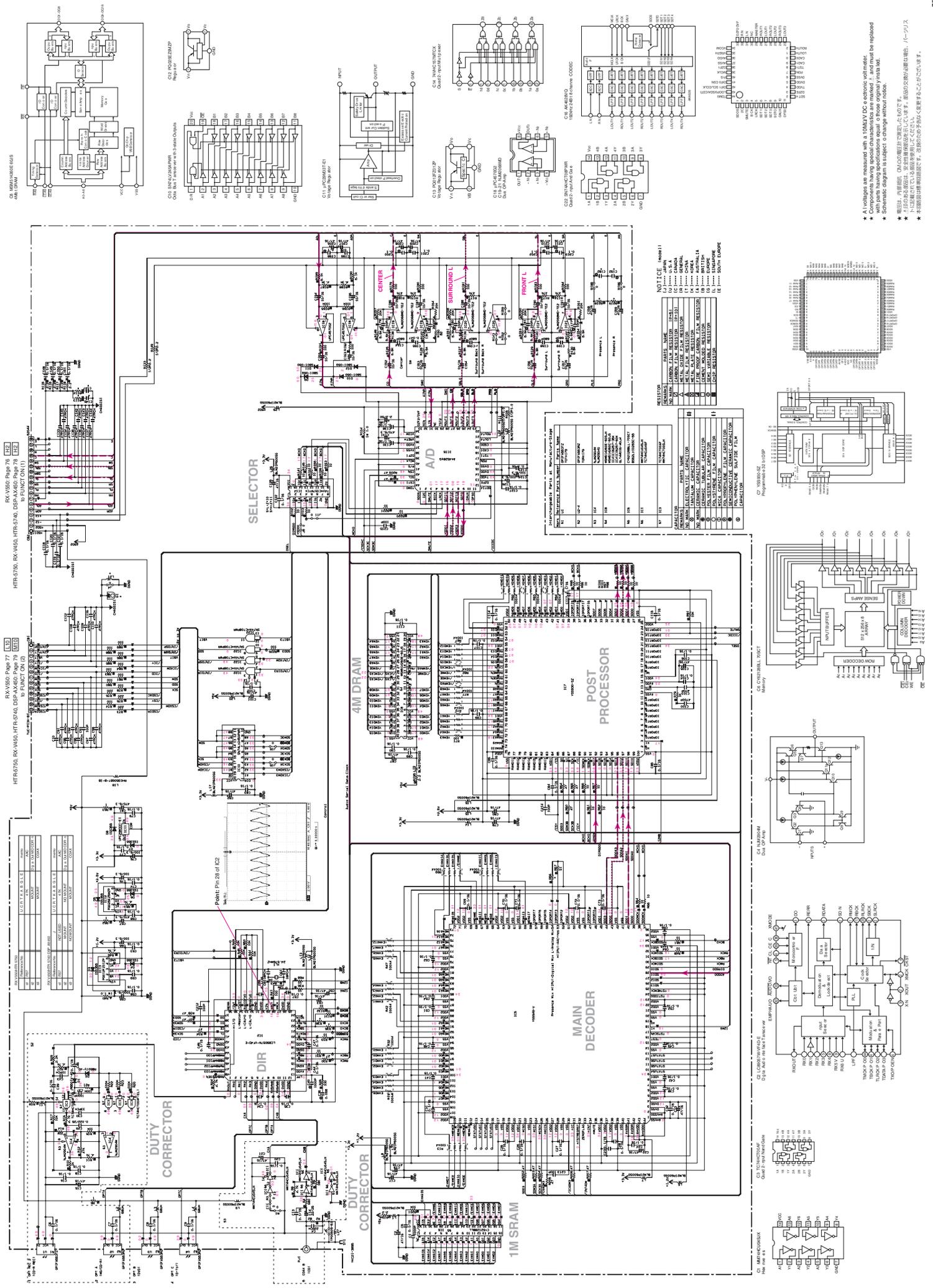
LM61CIZ 	NUJ7201L55 	NJM7805EA NJM7812FA 	NJM79M05EA NJM79M12FA 	μPC29M33TE1 	PQ025EZ5M2P PQ012EZ01ZP 	NJM2068MD NJM2900M TK15420M μPC4570G2 
NJM4556AL 	LA7956 	NJM6581M SN74AHC108PWR 	MM74HC104 TC74HC104AF TC4013BP 	74VHC157MTCX 	SN74LV245APWR 	
TC74HC4053AF 	LC72722 	BD3841FS 	CY62128BLL-70SCT 			
MSM514260E-60JS 	AK4628VQ 	LC89057W-VF4DE 	M66003-0101FP 			
M30622MWP-152FP M30626FHPFP 	YSS930-SZ 	YSS948-V 				
BD3816K1 						

• Diodes

1N4002S 1SS133 1SS176 1SS244 1SS270A 1T2 	MTZJ10B MTZJ15A MTZJ24B MTZJ36A MTZJ48A MTZJ181B MTZJ1210C MTZJ3010A 	1SS355 MA8051-M MA8056-W MA8075-H MA8075-L RF501V-40 UDZ3.6BTE-17 UDZ59.1B 	SB01-05Q 
TS6P00G 	KBP103G 	S1NB60 S1NB60 	

• Transistors

2SA893A 2SA1015 2SB949 2SC1815 2SC1936A 2SC2240 2SC2535 2SA2N5401C 2SC2N5551C 	2SC1740S 2SD1915F DTC144ES 	2SB1274 2SD2396 	2SA1695 2SC4468 
2SA1037K 2SA1770 2SC2412K 2SC3326 DTC144EKA 	2SA1708 2SA1770 2SC4488 2SC4614 	2SK3491 	



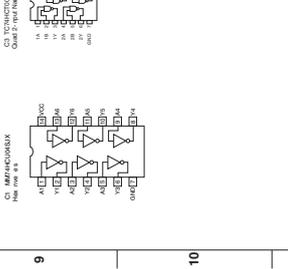
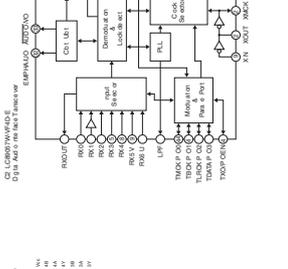
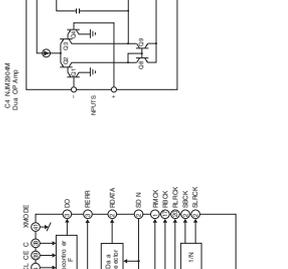
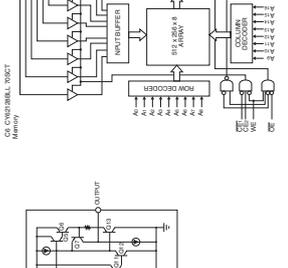
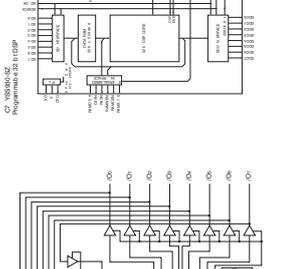
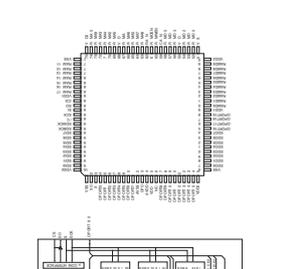
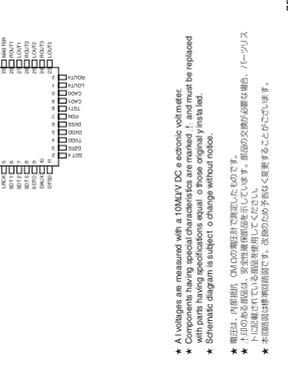
RX-V650 Page 76  
 HTR-5790, RX-V450, HTR-5740, DSP-AX450 Page 78  
 TO FUNCTION (1)

RX-V650 Page 77  
 HTR-5790, RX-V450, HTR-5740, DSP-AX450 Page 79  
 TO FUNCTION (2)

RX-V650 Page 60  
 HTR-5790, RX-V450, HTR-5740, DSP-AX450 Page 62  
 TO FUNCTION (3)

NOTICE (Refer 1)

RESISTOR	PARTS NAME	LEVEL
①	GENERAL	U-4
②	GENERAL	U-4
③	GENERAL	U-4
④	GENERAL	U-4
⑤	GENERAL	U-4
⑥	GENERAL	U-4
⑦	GENERAL	U-4
⑧	GENERAL	U-4
⑨	GENERAL	U-4
⑩	GENERAL	U-4
⑪	GENERAL	U-4
⑫	GENERAL	U-4
⑬	GENERAL	U-4
⑭	GENERAL	U-4
⑮	GENERAL	U-4
⑯	GENERAL	U-4
⑰	GENERAL	U-4
⑱	GENERAL	U-4
⑲	GENERAL	U-4
⑳	GENERAL	U-4
㉑	GENERAL	U-4
㉒	GENERAL	U-4
㉓	GENERAL	U-4
㉔	GENERAL	U-4
㉕	GENERAL	U-4
㉖	GENERAL	U-4
㉗	GENERAL	U-4
㉘	GENERAL	U-4
㉙	GENERAL	U-4
㉚	GENERAL	U-4
㉛	GENERAL	U-4
㉜	GENERAL	U-4
㉝	GENERAL	U-4
㉞	GENERAL	U-4
㉟	GENERAL	U-4
㊱	GENERAL	U-4
㊲	GENERAL	U-4
㊳	GENERAL	U-4
㊴	GENERAL	U-4
㊵	GENERAL	U-4
㊶	GENERAL	U-4
㊷	GENERAL	U-4
㊸	GENERAL	U-4
㊹	GENERAL	U-4
㊺	GENERAL	U-4
㊻	GENERAL	U-4
㊼	GENERAL	U-4
㊽	GENERAL	U-4
㊾	GENERAL	U-4
㊿	GENERAL	U-4



①: 1Mbit SRAM  
 ②: 4Mbit DRAM  
 ③: MAIN DECODER  
 ④: POST PROCESSOR  
 ⑤: SELECTOR  
 ⑥: AD  
 ⑦: FRONT L  
 ⑧: SURROUND L  
 ⑨: CENTER

⑩: 1Mbit SRAM  
 ⑪: 4Mbit DRAM  
 ⑫: MAIN DECODER  
 ⑬: POST PROCESSOR  
 ⑭: SELECTOR  
 ⑮: AD  
 ⑯: FRONT L  
 ⑰: SURROUND L  
 ⑱: CENTER

⑲: 1Mbit SRAM  
 ⑳: 4Mbit DRAM  
 ㉑: MAIN DECODER  
 ㉒: POST PROCESSOR  
 ㉓: SELECTOR  
 ㉔: AD  
 ㉕: FRONT L  
 ㉖: SURROUND L  
 ㉗: CENTER

㉘: 1Mbit SRAM  
 ㉙: 4Mbit DRAM  
 ㉚: MAIN DECODER  
 ㉛: POST PROCESSOR  
 ㉜: SELECTOR  
 ㉝: AD  
 ㉞: FRONT L  
 ㉟: SURROUND L  
 ㊱: CENTER

㊲: 1Mbit SRAM  
 ㊳: 4Mbit DRAM  
 ㊴: MAIN DECODER  
 ㊵: POST PROCESSOR  
 ㊶: SELECTOR  
 ㊷: AD  
 ㊸: FRONT L  
 ㊹: SURROUND L  
 ㊺: CENTER

㊻: 1Mbit SRAM  
 ㊼: 4Mbit DRAM  
 ㊽: MAIN DECODER  
 ㊾: POST PROCESSOR  
 ㊿: SELECTOR  
 ㉑: AD  
 ㉒: FRONT L  
 ㉓: SURROUND L  
 ㉔: CENTER

㉕: 1Mbit SRAM  
 ㉖: 4Mbit DRAM  
 ㉗: MAIN DECODER  
 ㉘: POST PROCESSOR  
 ㉙: SELECTOR  
 ㉚: AD  
 ㉛: FRONT L  
 ㉜: SURROUND L  
 ㉝: CENTER



**REMARKS**

1	RESISTOR
2	CAPACITOR
3	DIODE
4	TRANSISTOR
5	IC
6	RELAY
7	CONNECTOR
8	SWITCH
9	MECHANICAL PART
10	OTHER

**REMARKS**

1	RESISTOR
2	CAPACITOR
3	DIODE
4	TRANSISTOR
5	IC
6	RELAY
7	CONNECTOR
8	SWITCH
9	MECHANICAL PART
10	OTHER

**REMARKS**

1	RESISTOR
2	CAPACITOR
3	DIODE
4	TRANSISTOR
5	IC
6	RELAY
7	CONNECTOR
8	SWITCH
9	MECHANICAL PART
10	OTHER

**REMARKS**

1	RESISTOR
2	CAPACITOR
3	DIODE
4	TRANSISTOR
5	IC
6	RELAY
7	CONNECTOR
8	SWITCH
9	MECHANICAL PART
10	OTHER

**REMARKS**

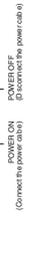
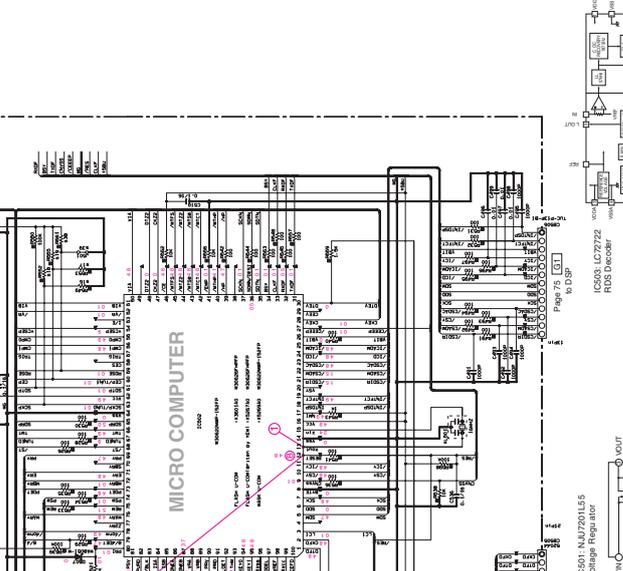
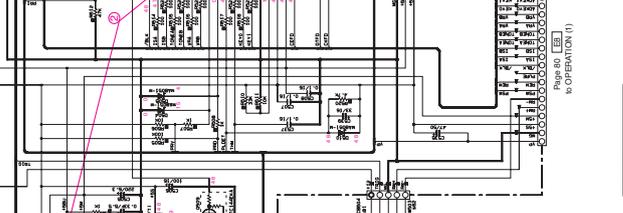
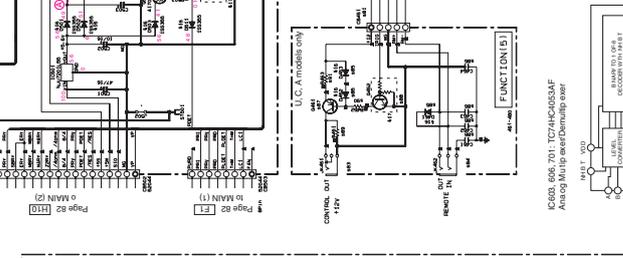
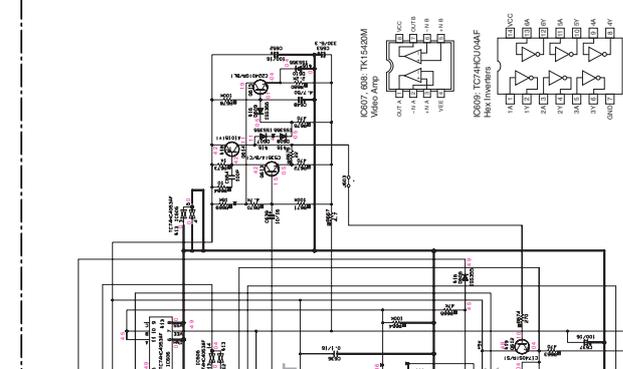
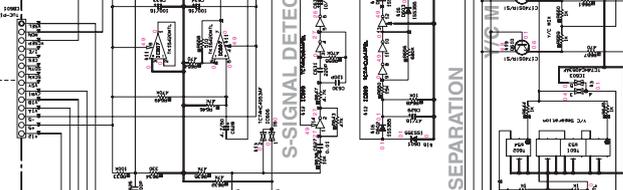
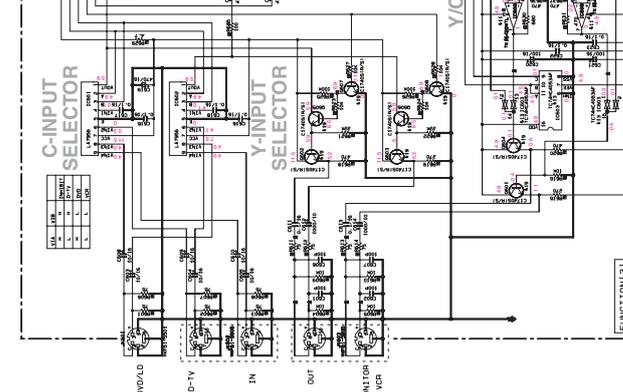
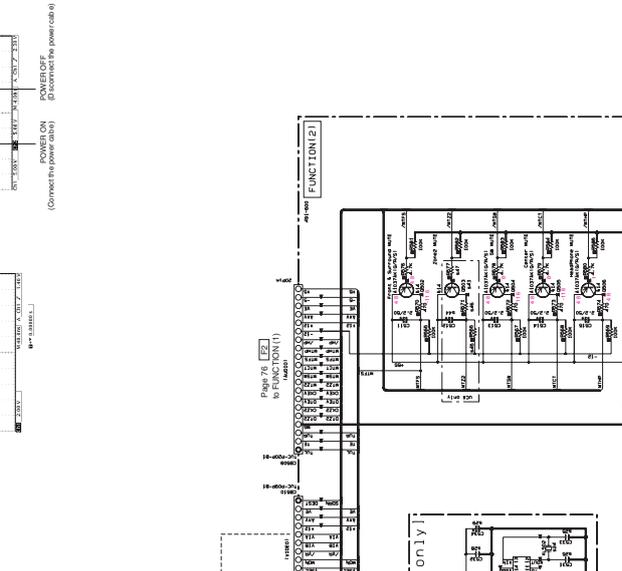
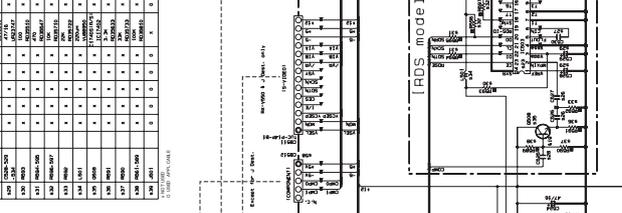
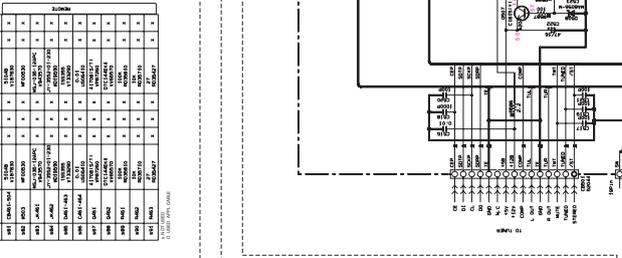
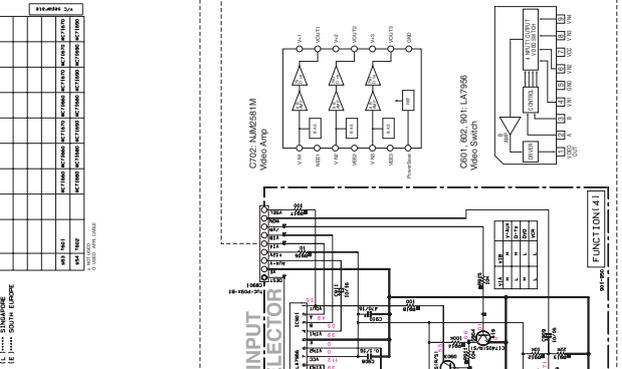
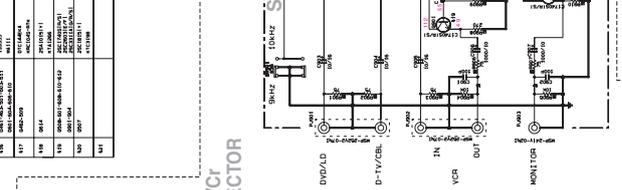
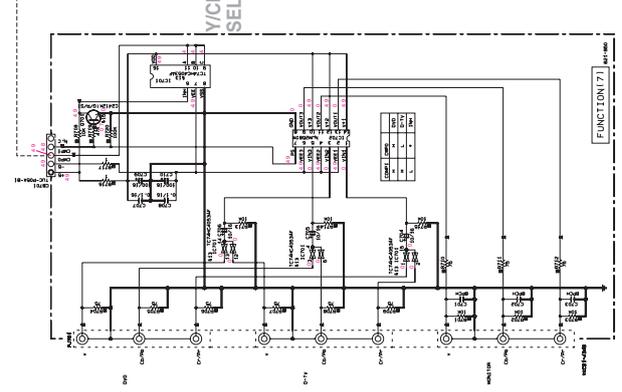
1	RESISTOR
2	CAPACITOR
3	DIODE
4	TRANSISTOR
5	IC
6	RELAY
7	CONNECTOR
8	SWITCH
9	MECHANICAL PART
10	OTHER

**REMARKS**

1	RESISTOR
2	CAPACITOR
3	DIODE
4	TRANSISTOR
5	IC
6	RELAY
7	CONNECTOR
8	SWITCH
9	MECHANICAL PART
10	OTHER

**REMARKS**

1	RESISTOR
2	CAPACITOR
3	DIODE
4	TRANSISTOR
5	IC
6	RELAY
7	CONNECTOR
8	SWITCH
9	MECHANICAL PART
10	OTHER



\* All voltages are measured with a 10M $\Omega$  DC load, unless otherwise noted.  
 \* Components having special characteristics are marked with a triangle.  
 \* Schematic diagram is subject to change without notice.





**SCHEMATIC DIAGRAM (OPERATION) RX-V550**

**CAPACITOR**

NO. MARK	PARTS NAME
⊗	ELECTROLYTIC CAPACITOR
○	TANTALUM CAPACITOR
⊙	CERAMIC TUBULAR CAPACITOR
⊖	POLYESTER FILM CAPACITOR
①	POLYSTYRENE FILM CAPACITOR
②	MICA CAPACITOR
③	POLYPROPYLENE FILM CAPACITOR
④	SEMI-CONDUCTIVE CERAMIC CAPACITOR
⑤	POLYETHYLENE SULFIDE FILM CAPACITOR

**RESISTOR**

REMARKS	PARTS NAME
NO MARK	CARBON FILM RESISTOR (P-5)
∇	CARBON FILM RESISTOR (P-10)
△	METAL FILM RESISTOR
⊠	METAL PLATE RESISTOR
⊡	FIRE PROOF CARBON FILM RESISTOR
⊢	CEMENT MOLDED RESISTOR
⊣	SEMI VARIABLE RESISTOR
⊤	5HP RESISTOR

NO.	R.T.K.L	U.C.A	B.G.E
51	5W16 - 819	X	X
52	8B32	X	X
53	8B36	X	X
54	8B39	X	X
55	8B40	X	X
56	8B16	X	X
57	8B02	X	X

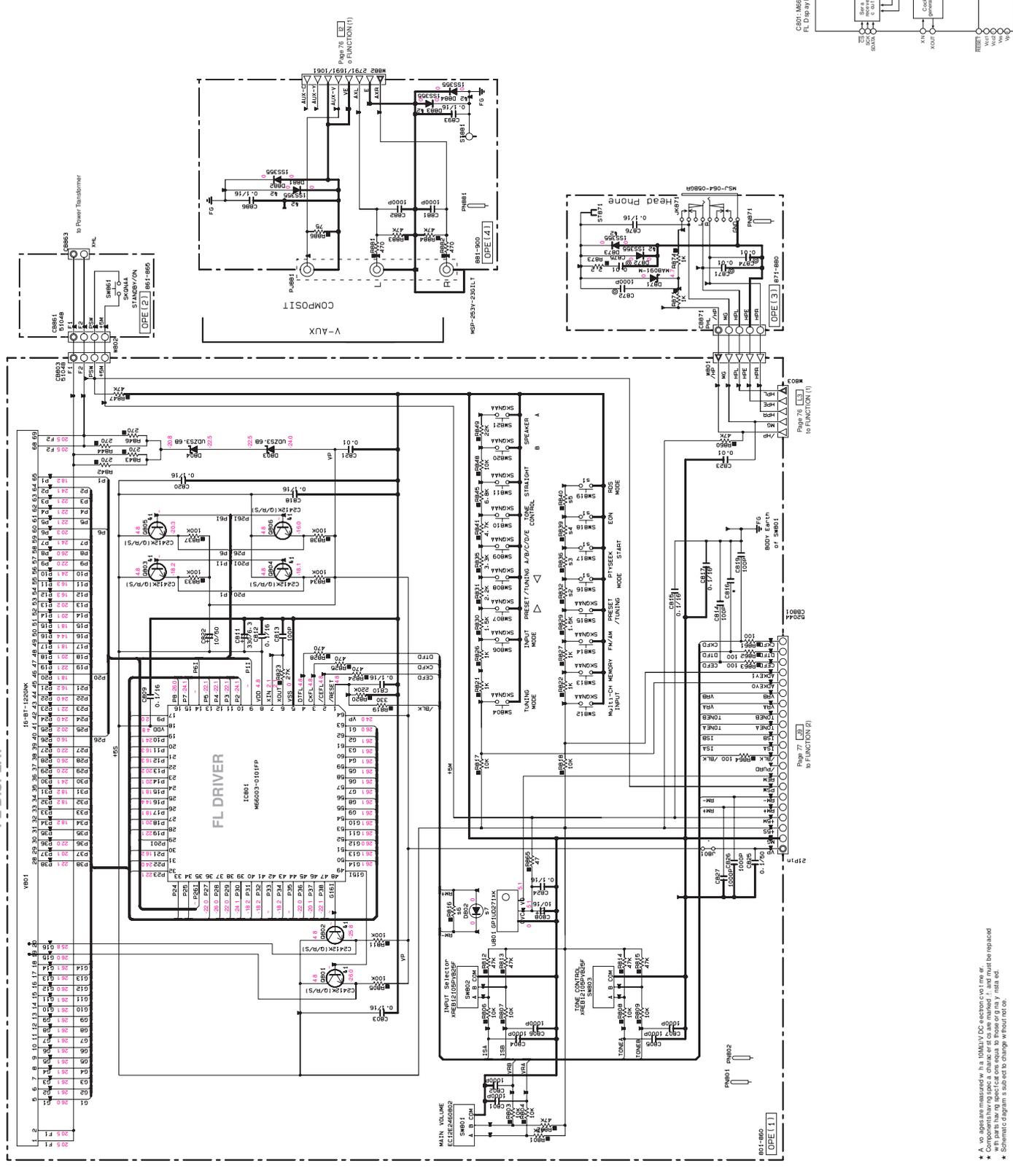
①: 20% TOLERANCE  
②: 5% TOLERANCE

**Interchangeable Parts at Manufacture-Stage**

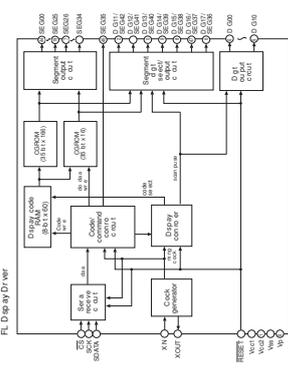
Mark	Reference Parts Number	Parts Name
41	0851-806	2SC2458 (Q/R/S)
42	0872-873-801-804	1C2395
43		W4111
44		
45		
46		
47		

**NOTICE (mode1)**

(U)..... U.S.A.  
(J)..... JAPAN  
(C)..... CANADA  
(R)..... GENERAL  
(T)..... CHINA  
(K)..... KOREA  
(A)..... AUSTRALIA  
(B)..... BRITISH  
(G)..... EUROPE  
(L)..... SINGAPORE  
(E)..... SOUTH EUROPE



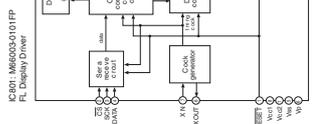
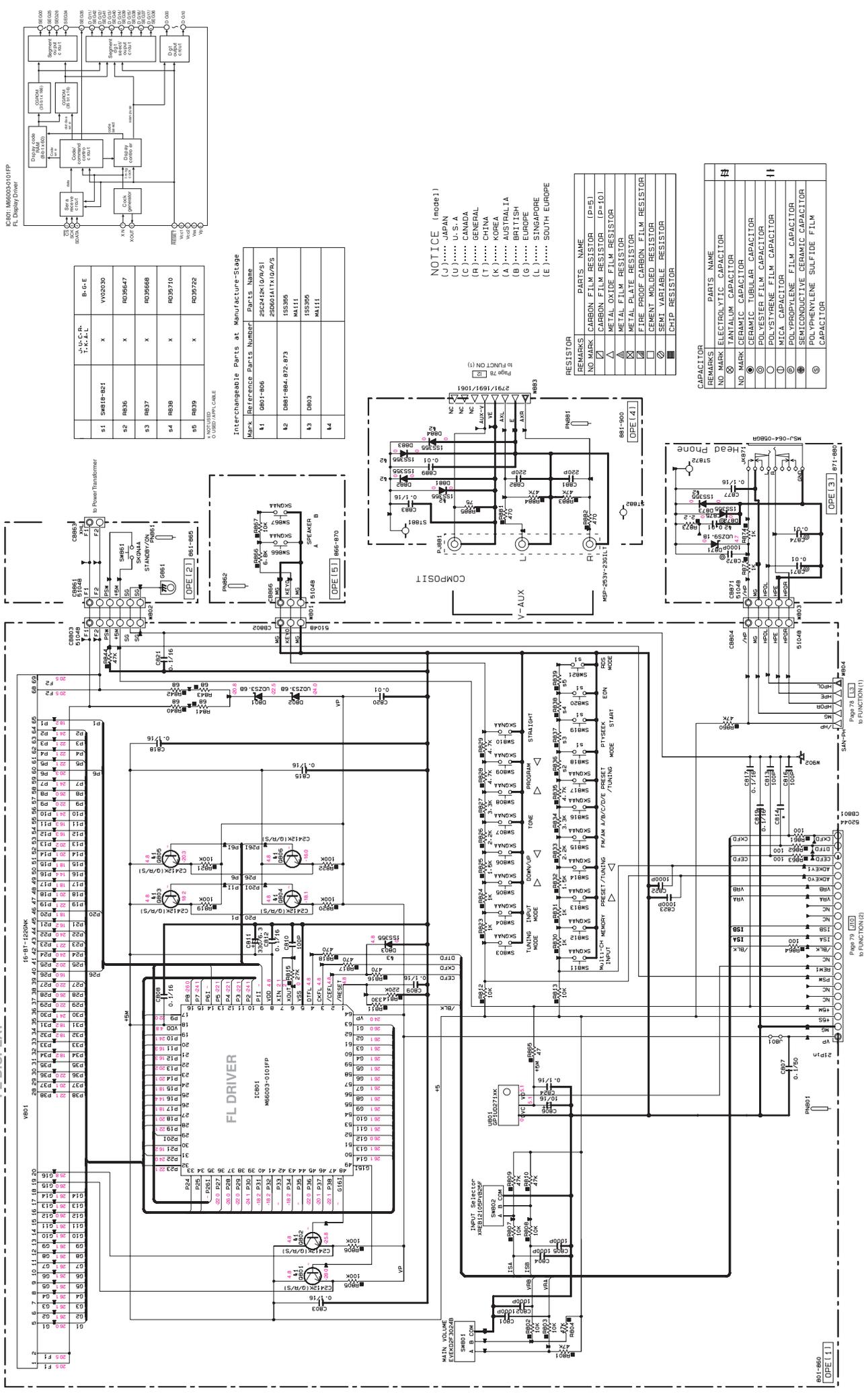
CB01.M6603-010FF  
FL Display Driver



\* A: No. appears in main view in a 10MHz VDC section of the wave.  
\* B: No. appears in main view in a 10MHz VDC section of the wave.  
\* C: No. appears in main view in a 10MHz VDC section of the wave.  
\* D: No. appears in main view in a 10MHz VDC section of the wave.  
\* E: No. appears in main view in a 10MHz VDC section of the wave.  
\* F: No. appears in main view in a 10MHz VDC section of the wave.  
\* G: No. appears in main view in a 10MHz VDC section of the wave.  
\* H: No. appears in main view in a 10MHz VDC section of the wave.  
\* I: No. appears in main view in a 10MHz VDC section of the wave.  
\* J: No. appears in main view in a 10MHz VDC section of the wave.  
\* K: No. appears in main view in a 10MHz VDC section of the wave.  
\* L: No. appears in main view in a 10MHz VDC section of the wave.  
\* M: No. appears in main view in a 10MHz VDC section of the wave.  
\* N: No. appears in main view in a 10MHz VDC section of the wave.  
\* O: No. appears in main view in a 10MHz VDC section of the wave.  
\* P: No. appears in main view in a 10MHz VDC section of the wave.  
\* Q: No. appears in main view in a 10MHz VDC section of the wave.  
\* R: No. appears in main view in a 10MHz VDC section of the wave.  
\* S: No. appears in main view in a 10MHz VDC section of the wave.  
\* T: No. appears in main view in a 10MHz VDC section of the wave.  
\* U: No. appears in main view in a 10MHz VDC section of the wave.  
\* V: No. appears in main view in a 10MHz VDC section of the wave.  
\* W: No. appears in main view in a 10MHz VDC section of the wave.  
\* X: No. appears in main view in a 10MHz VDC section of the wave.  
\* Y: No. appears in main view in a 10MHz VDC section of the wave.  
\* Z: No. appears in main view in a 10MHz VDC section of the wave.



SCHEMATIC DIAGRAM (OPERATION) HTR-5750 RX-V450/HTR-5740/DSP-AX450 FL DISPLAY



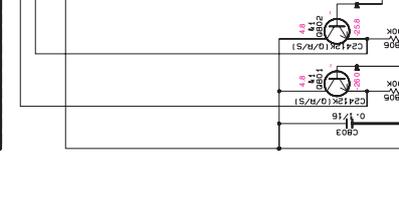
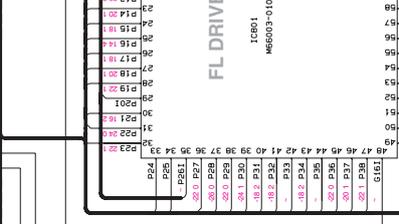
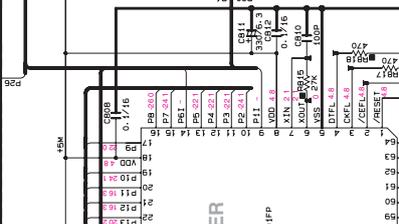
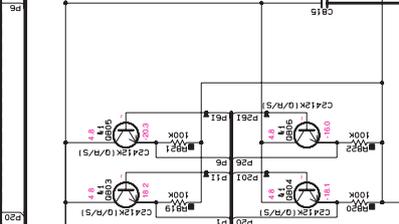
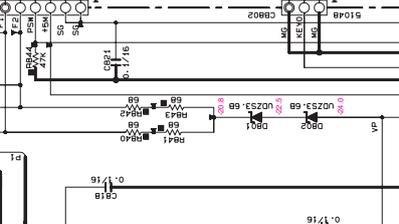
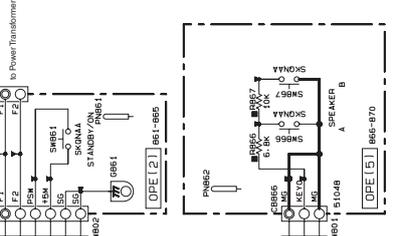
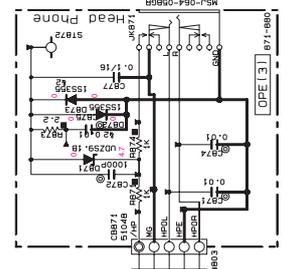
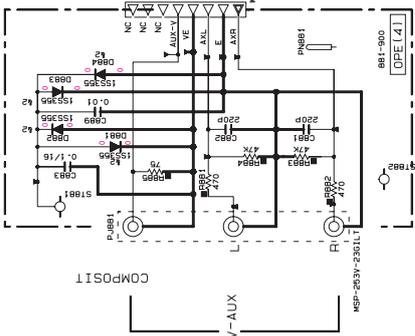
Mark	Reference Parts Number	Parts Name
41	0801-806	262424K(D/R/S)
42	0801-804, 872, 873	153385
43	0803	MA111
44		MA111

Interchangeable Parts at Manufacture-Stage

NOTICE (mode1)  
 (J)..... JAPAN  
 (U)..... U.S.A  
 (C)..... CANADA  
 (R)..... GENERAL  
 (T)..... CHINA  
 (K)..... KOREA  
 (A)..... AUSTRALIA  
 (B)..... BRITISH  
 (G)..... EUROPE  
 (L)..... SINGAPORE  
 (E)..... SOUTH EUROPE

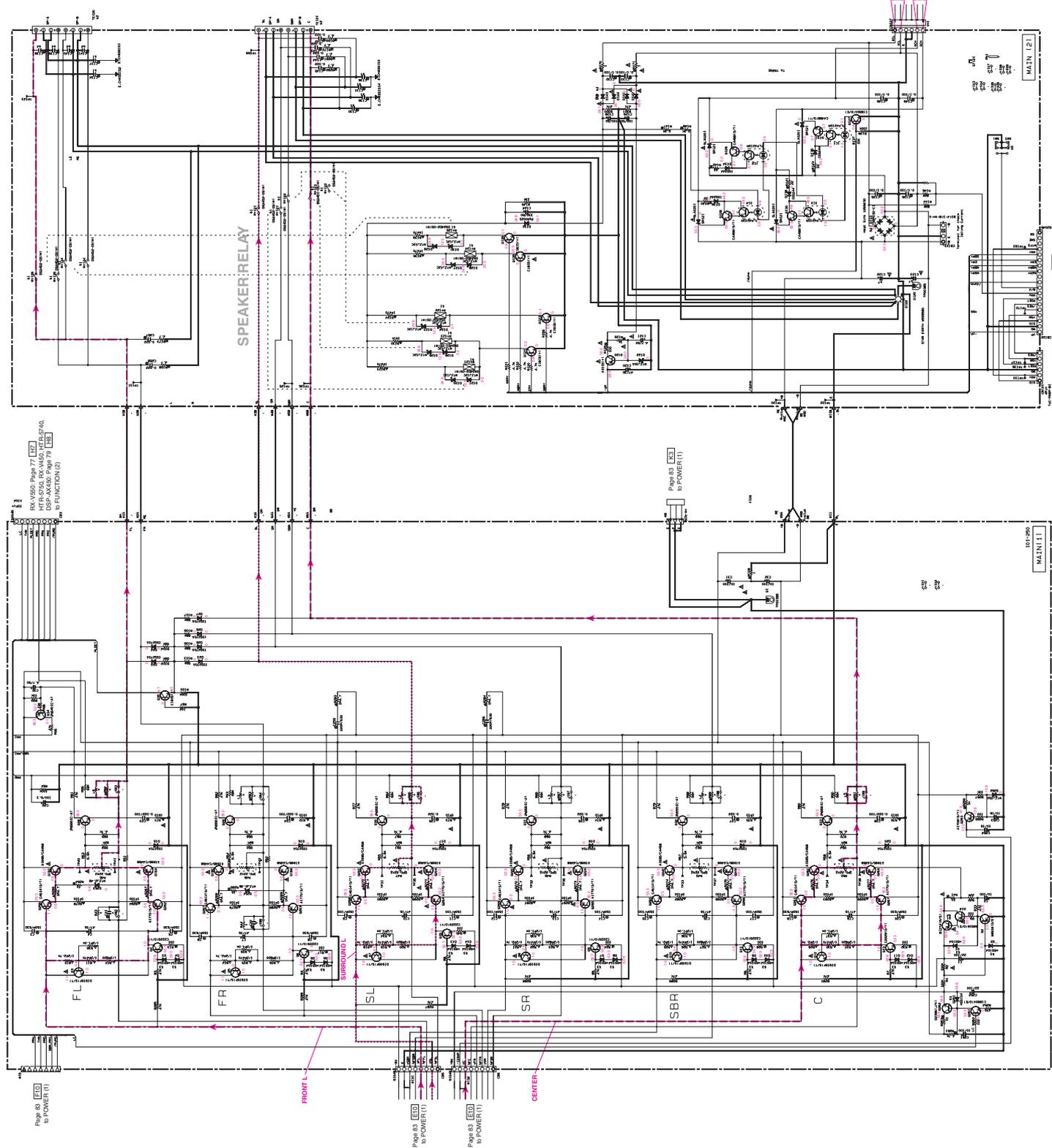
REMARKS	PARTS NAME
NO MARK	CARBON FILM RESISTOR (P=5)
□	CARBON FILM RESISTOR (P=10)
△	METAL OXIDE FILM RESISTOR
▲	METAL FILM RESISTOR
■	FIRE PROOF CARBON FILM RESISTOR
○	CEMENT MOLDED RESISTOR
◎	CHIP RESISTOR

REMARKS	PARTS NAME
NO MARK	ELECTROLYTIC CAPACITOR
⊗	TANTALUM CAPACITOR
NO MARK	CERAMIC CAPACITOR
⊙	CERAMIC TUBULAR CAPACITOR
⊚	POLYESTER FILM CAPACITOR
①	POLYSTYRENE FILM CAPACITOR
②	MICA CAPACITOR
③	POLYPROPYLENE FILM CAPACITOR
④	SEMICONDUCTIVE CERAMIC CAPACITOR
⑤	POLYPHENYLENE SULFIDE FILM CAPACITOR



- \* All IC chips are measured with a 10MHz VCO. Checkpoints are marked.
- \* Components having special characteristics are marked \* and must be replaced with parts having specifications equal to those originally installed.
- \* Schematic diagrams are subject to change without notice.
- \* 部品は、内蔵部品、ICチップは測定値に基づいて選定されています。
- \* 特殊な特性を有する部品は \* を付記し、必ず同等の規格品を交換する必要があります。
- \* 回路図は仕様変更により変更される場合があります。

SCHEMATIC DIAGRAM (MAIN)



RESISTOR

1	RESISTOR	100K	100K
2	RESISTOR	100K	100K
3	RESISTOR	100K	100K
4	RESISTOR	100K	100K
5	RESISTOR	100K	100K
6	RESISTOR	100K	100K
7	RESISTOR	100K	100K
8	RESISTOR	100K	100K
9	RESISTOR	100K	100K
10	RESISTOR	100K	100K

NOTICE (cont.)

1	RESISTOR	100K	100K
2	RESISTOR	100K	100K
3	RESISTOR	100K	100K
4	RESISTOR	100K	100K
5	RESISTOR	100K	100K
6	RESISTOR	100K	100K
7	RESISTOR	100K	100K
8	RESISTOR	100K	100K
9	RESISTOR	100K	100K
10	RESISTOR	100K	100K

COMPONENTS PARTS LIST

1	RESISTOR	100K	100K
2	RESISTOR	100K	100K
3	RESISTOR	100K	100K
4	RESISTOR	100K	100K
5	RESISTOR	100K	100K
6	RESISTOR	100K	100K
7	RESISTOR	100K	100K
8	RESISTOR	100K	100K
9	RESISTOR	100K	100K
10	RESISTOR	100K	100K

RESISTOR

1	RESISTOR	100K	100K
2	RESISTOR	100K	100K
3	RESISTOR	100K	100K
4	RESISTOR	100K	100K
5	RESISTOR	100K	100K
6	RESISTOR	100K	100K
7	RESISTOR	100K	100K
8	RESISTOR	100K	100K
9	RESISTOR	100K	100K
10	RESISTOR	100K	100K

RESISTOR

1	RESISTOR	100K	100K
2	RESISTOR	100K	100K
3	RESISTOR	100K	100K
4	RESISTOR	100K	100K
5	RESISTOR	100K	100K
6	RESISTOR	100K	100K
7	RESISTOR	100K	100K
8	RESISTOR	100K	100K
9	RESISTOR	100K	100K
10	RESISTOR	100K	100K

RESISTOR

1	RESISTOR	100K	100K
2	RESISTOR	100K	100K
3	RESISTOR	100K	100K
4	RESISTOR	100K	100K
5	RESISTOR	100K	100K
6	RESISTOR	100K	100K
7	RESISTOR	100K	100K
8	RESISTOR	100K	100K
9	RESISTOR	100K	100K
10	RESISTOR	100K	100K

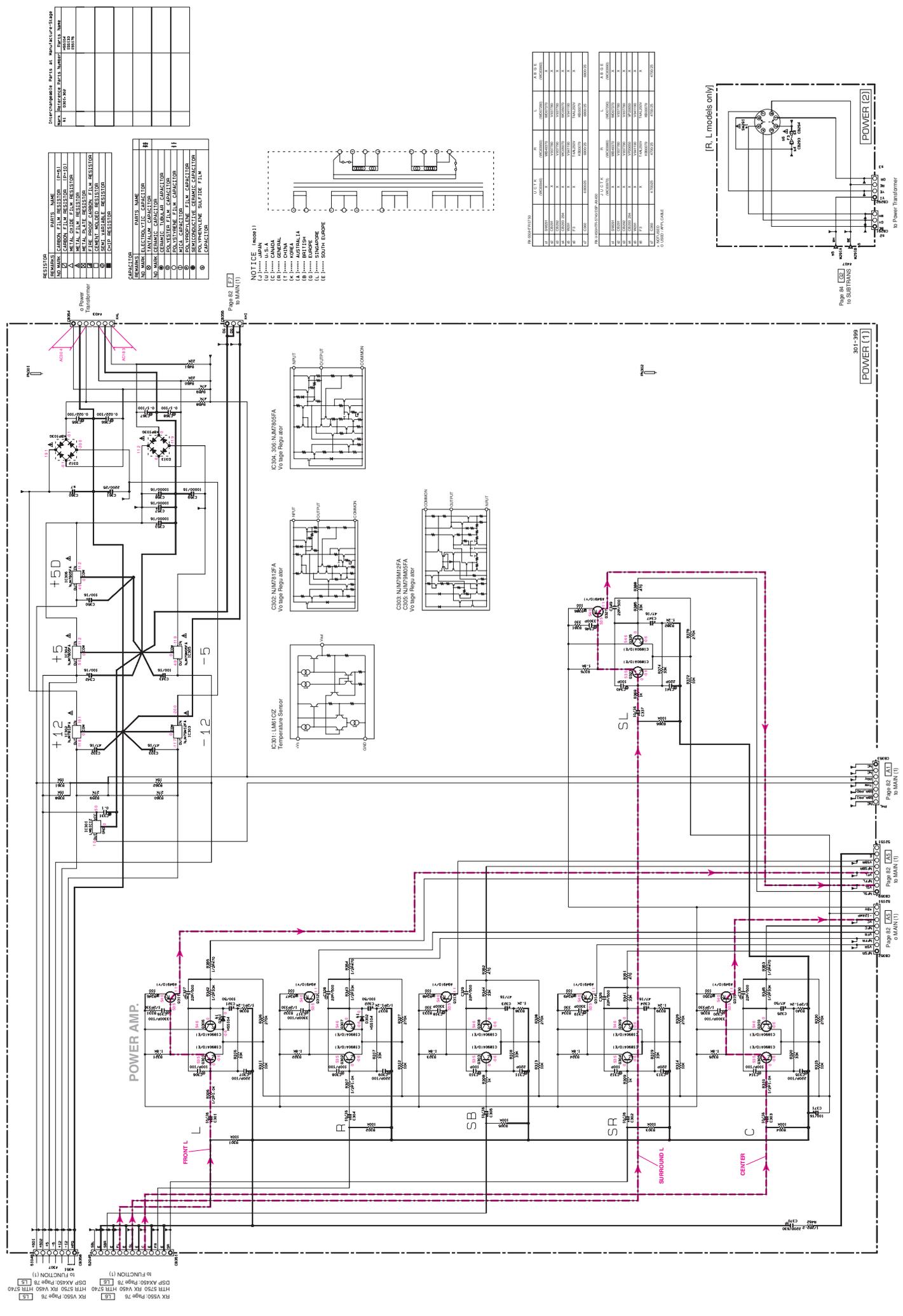
RESISTOR

1	RESISTOR	100K	100K
2	RESISTOR	100K	100K
3	RESISTOR	100K	100K
4	RESISTOR	100K	100K
5	RESISTOR	100K	100K
6	RESISTOR	100K	100K
7	RESISTOR	100K	100K
8	RESISTOR	100K	100K
9	RESISTOR	100K	100K
10	RESISTOR	100K	100K



- All Vd signs are measured with a 100MΩ DC electronic voltmeter.
- Components having special characteristics are marked with a star and must be replaced with the same type.
- Schematic diagram is subject to change without notice.
- 電圧・電流値は、100MΩの電子電圧計で測定したものです。
- ★印の部品は、特別な特性を有する部品であり、必ず同等品で交換してください。
- ★本図面は、無断で複製・転載することを禁じます。

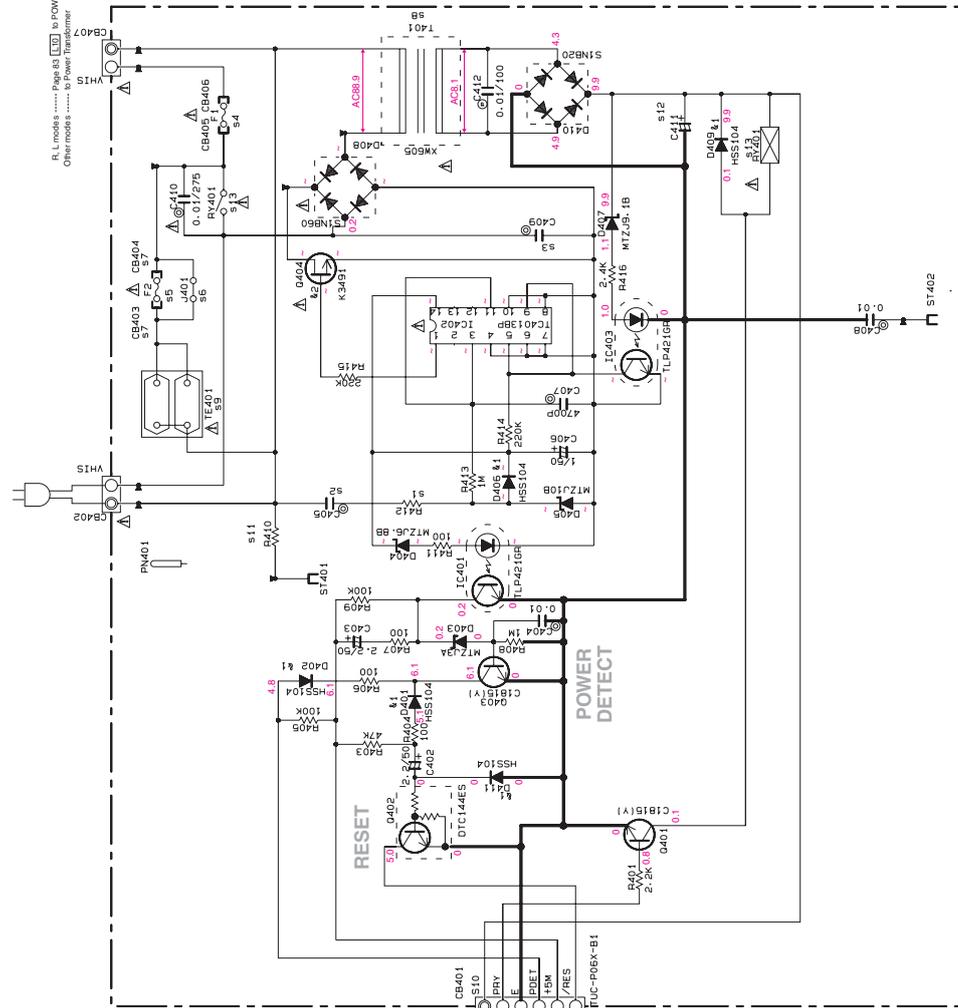
Page 84 L&C  
to SUB MAIN  
Page 85 L&C  
to POWER (1)  
Page 86 L&C  
to POWER (2)  
Page 87 L&C  
to FUNCTION (1)  
Page 88 L&C  
to FUNCTION (2)



RESISTOR

MARK	RESISTOR VALUE	MARK	RESISTOR VALUE
1	100Ω	10	100kΩ
2	200Ω	11	1.1MΩ
3	300Ω	12	1.2MΩ
4	400Ω	13	1.3MΩ
5	500Ω	14	1.4MΩ
6	600Ω	15	1.5MΩ
7	700Ω	16	1.6MΩ
8	800Ω	17	1.7MΩ
9	900Ω	18	1.8MΩ
1	10kΩ	19	1.9MΩ
2	20kΩ	20	2.0MΩ
3	30kΩ	21	2.1MΩ
4	40kΩ	22	2.2MΩ
5	50kΩ	23	2.3MΩ
6	60kΩ	24	2.4MΩ
7	70kΩ	25	2.5MΩ
8	80kΩ	26	2.6MΩ
9	90kΩ	27	2.7MΩ
10	100kΩ	28	2.8MΩ
11	1.1MΩ	29	2.9MΩ
12	1.2MΩ	30	3.0MΩ
13	1.3MΩ	31	3.3MΩ
14	1.4MΩ	32	3.6MΩ
15	1.5MΩ	33	3.9MΩ
16	1.6MΩ	34	4.3MΩ
17	1.7MΩ	35	4.7MΩ
18	1.8MΩ	36	5.1MΩ
19	1.9MΩ	37	5.6MΩ
20	2.0MΩ	38	6.2MΩ
21	2.2MΩ	39	6.8MΩ
22	2.4MΩ	40	7.5MΩ
23	2.7MΩ	41	8.2MΩ
24	3.0MΩ	42	9.1MΩ
25	3.3MΩ	43	10MΩ
26	3.6MΩ	44	11MΩ
27	3.9MΩ	45	12MΩ
28	4.3MΩ	46	13MΩ
29	4.7MΩ	47	15MΩ
30	5.1MΩ	48	16MΩ
31	5.6MΩ	49	18MΩ
32	6.2MΩ	50	20MΩ
33	6.8MΩ	51	22MΩ
34	7.5MΩ	52	24MΩ
35	8.2MΩ	53	27MΩ
36	9.1MΩ	54	30MΩ
37	10MΩ	55	33MΩ
38	11MΩ	56	36MΩ
39	12MΩ	57	39MΩ
40	13MΩ	58	43MΩ
41	15MΩ	59	47MΩ
42	16MΩ	60	51MΩ
43	18MΩ	61	56MΩ
44	20MΩ	62	62MΩ
45	22MΩ	63	68MΩ
46	24MΩ	64	75MΩ
47	27MΩ	65	82MΩ
48	30MΩ	66	91MΩ
49	33MΩ	67	100kΩ
50	36MΩ	68	110kΩ
51	39MΩ	69	120kΩ
52	43MΩ	70	130kΩ
53	47MΩ	71	150kΩ
54	51MΩ	72	160kΩ
55	56MΩ	73	180kΩ
56	62MΩ	74	200kΩ
57	68MΩ	75	220kΩ
58	75MΩ	76	240kΩ
59	82MΩ	77	270kΩ
60	91MΩ	78	300kΩ
61	100kΩ	79	330kΩ
62	110kΩ	80	360kΩ
63	120kΩ	81	390kΩ
64	130kΩ	82	430kΩ
65	150kΩ	83	470kΩ
66	160kΩ	84	510kΩ
67	180kΩ	85	560kΩ
68	200kΩ	86	620kΩ
69	220kΩ	87	680kΩ
70	240kΩ	88	750kΩ
71	270kΩ	89	820kΩ
72	300kΩ	90	910kΩ
73	330kΩ	91	1.0MΩ
74	360kΩ	92	1.1MΩ
75	390kΩ	93	1.2MΩ
76	430kΩ	94	1.3MΩ
77	470kΩ	95	1.5MΩ
78	510kΩ	96	1.6MΩ
79	560kΩ	97	1.8MΩ
80	620kΩ	98	2.0MΩ
81	680kΩ	99	2.2MΩ
82	750kΩ	100	2.4MΩ
83	820kΩ	101	2.7MΩ
84	910kΩ	102	3.0MΩ
85	1.0MΩ	103	3.3MΩ
86	1.1MΩ	104	3.6MΩ
87	1.2MΩ	105	3.9MΩ
88	1.3MΩ	106	4.3MΩ
89	1.5MΩ	107	4.7MΩ
90	1.6MΩ	108	5.1MΩ
91	1.8MΩ	109	5.6MΩ
92	2.0MΩ	110	6.2MΩ
93	2.2MΩ	111	6.8MΩ
94	2.4MΩ	112	7.5MΩ
95	2.7MΩ	113	8.2MΩ
96	3.0MΩ	114	9.1MΩ
97	3.3MΩ	115	10MΩ
98	3.6MΩ	116	11MΩ
99	3.9MΩ	117	12MΩ
100	4.3MΩ	118	13MΩ
101	4.7MΩ	119	15MΩ
102	5.1MΩ	120	16MΩ
103	5.6MΩ	121	18MΩ
104	6.2MΩ	122	20MΩ
105	6.8MΩ	123	22MΩ
106	7.5MΩ	124	24MΩ
107	8.2MΩ	125	27MΩ
108	9.1MΩ	126	30MΩ
109	10MΩ	127	33MΩ
110	11MΩ	128	36MΩ
111	12MΩ	129	39MΩ
112	13MΩ	130	43MΩ
113	15MΩ	131	47MΩ
114	16MΩ	132	51MΩ
115	18MΩ	133	56MΩ
116	20MΩ	134	62MΩ
117	22MΩ	135	68MΩ
118	24MΩ	136	75MΩ
119	27MΩ	137	82MΩ
120	30MΩ	138	91MΩ
121	33MΩ	139	100kΩ
122	36MΩ	140	110kΩ
123	39MΩ	141	120kΩ
124	43MΩ	142	130kΩ
125	47MΩ	143	150kΩ
126	51MΩ	144	160kΩ
127	56MΩ	145	180kΩ
128	62MΩ	146	200kΩ
129	68MΩ	147	220kΩ
130	75MΩ	148	240kΩ
131	82MΩ	149	270kΩ
132	91MΩ	150	300kΩ
133	100kΩ	151	330kΩ
134	110kΩ	152	360kΩ
135	120kΩ	153	390kΩ
136	130kΩ	154	430kΩ
137	150kΩ	155	470kΩ
138	160kΩ	156	510kΩ
139	180kΩ	157	560kΩ
140	200kΩ	158	620kΩ
141	220kΩ	159	680kΩ
142	240kΩ	160	750kΩ
143	270kΩ	161	820kΩ
144	300kΩ	162	910kΩ
145	330kΩ	163	1.0MΩ
146	360kΩ	164	1.1MΩ
147	390kΩ	165	1.2MΩ
148	430kΩ	166	1.3MΩ
149	470kΩ	167	1.5MΩ
150	510kΩ	168	1.6MΩ
151	560kΩ	169	1.8MΩ
152	620kΩ	170	2.0MΩ
153	680kΩ	171	2.2MΩ
154	750kΩ	172	2.4MΩ
155	820kΩ	173	2.7MΩ
156	910kΩ	174	3.0MΩ
157	1.0MΩ	175	3.3MΩ
158	1.1MΩ	176	3.6MΩ
159	1.2MΩ	177	3.9MΩ
160	1.3MΩ	178	4.3MΩ
161	1.5MΩ	179	4.7MΩ
162	1.6MΩ	180	5.1MΩ
163	1.8MΩ	181	5.6MΩ
164	2.0MΩ	182	6.2MΩ
165	2.2MΩ	183	6.8MΩ
166	2.4MΩ	184	7.5MΩ
167	2.7MΩ	185	8.2MΩ
168	3.0MΩ	186	9.1MΩ
169	3.3MΩ	187	10MΩ
170	3.6MΩ	188	11MΩ
171	3.9MΩ	189	12MΩ
172	4.3MΩ	190	13MΩ
173	4.7MΩ	191	15MΩ
174	5.1MΩ	192	16MΩ
175	5.6MΩ	193	18MΩ
176	6.2MΩ	194	20MΩ
177	6.8MΩ	195	22MΩ
178	7.5MΩ	196	24MΩ
179	8.2MΩ	197	27MΩ
180	9.1MΩ	198	30MΩ
181	10MΩ	199	33MΩ
182	11MΩ	200	36MΩ
183	12MΩ	201	39MΩ
184	13MΩ	202	43MΩ
185	15MΩ	203	47MΩ
186	16MΩ	204	51MΩ
187	18MΩ	205	56MΩ
188	20MΩ	206	62MΩ
189	22MΩ	207	68MΩ
190	24MΩ	208	75MΩ
191	27MΩ	209	82MΩ
192	30MΩ	210	91MΩ
193	33MΩ	211	100kΩ
194	36MΩ	212	110kΩ
195	39MΩ	213	120kΩ
196	43MΩ	214	130kΩ
197	47MΩ	215	150kΩ
198	51MΩ	216	160kΩ
199	56MΩ	217	180kΩ
200	62MΩ	218	200kΩ
201	68MΩ	219	220kΩ
202	75MΩ	220	240kΩ
203	82MΩ	221	270kΩ
204	91MΩ	222	300kΩ
205	100kΩ	223	330kΩ
206	110kΩ	224	360kΩ
207	120kΩ	225	390kΩ
208	130kΩ	226	430kΩ
209	150kΩ	227	470kΩ
210	160kΩ	228	510kΩ
211	180kΩ	229	560kΩ
212	200kΩ	230	620kΩ
213	220kΩ	231	680kΩ
214	240kΩ	232	750kΩ
215	270kΩ	233	820kΩ
216	300kΩ	234	910kΩ
217	330kΩ	235	1.0MΩ
218	360kΩ	236	1.1MΩ
219	390kΩ	237	1.2MΩ
220	430kΩ	238	1.3MΩ
221	470kΩ	239	1.5MΩ
222	510kΩ	240	1.6MΩ
223	560kΩ	241	1.8MΩ
224	620kΩ	242	2.0MΩ
225	680kΩ	243	2.2MΩ
226	750kΩ	244	2.4MΩ
227	820kΩ	245	2.7MΩ
228	910kΩ	246	3.0MΩ
229	1.0MΩ	247	3.3MΩ
230	1.1MΩ	248	3.6MΩ
231	1.2MΩ	249	3.9MΩ
232	1.3MΩ	250	4.3MΩ
233	1.5MΩ	251	4.7MΩ
234	1.6MΩ	252	5.1MΩ
235	1.8MΩ	253	5.6MΩ
236	2.0MΩ	254	6.2MΩ
237	2.2MΩ	255	6.8MΩ
238	2.4MΩ	256	7.5MΩ
239	2.7MΩ	257	8.2MΩ
240	3.0MΩ	258	9.1MΩ
241	3.3MΩ	259	10MΩ
242	3.6MΩ	260	11MΩ
243	3.9MΩ	261	12MΩ
244	4.3MΩ	262	13MΩ
245	4.7MΩ	263	15MΩ
246	5.1MΩ	264	16MΩ
247	5.6MΩ	265	18MΩ
248	6.2MΩ	266	20MΩ
249	6.8MΩ	267	22MΩ
250	7.5MΩ	268	24MΩ
251	8.2MΩ	269	27MΩ
252	9.1MΩ	270	30MΩ
253	10MΩ	271	33MΩ
254	11MΩ	272	36MΩ
255	12MΩ	273	39MΩ
256	13MΩ	274	43MΩ
257	15MΩ	275	47MΩ
258	16MΩ	276	51MΩ
259	18MΩ	277	56MΩ
260	20MΩ	278	62MΩ
261	22MΩ	279	68MΩ
262	24MΩ	280	75MΩ
263	27MΩ	281	82MΩ
264	30MΩ	282	91MΩ
265	33MΩ	283	100kΩ
266	36MΩ	284	110kΩ
267	39MΩ	285	120kΩ
268	43MΩ	286	130kΩ
269	47MΩ	287	150kΩ
270	51MΩ	288	160kΩ
271	56MΩ	289	180kΩ
272	62MΩ	290	200kΩ
273	68MΩ	291	220kΩ
274	75MΩ	292	240kΩ
275	82MΩ	293	270kΩ
276	91MΩ	294	300kΩ
277	100kΩ	295	330kΩ
278	110kΩ	296	360kΩ
279	120kΩ	297	390kΩ
280	130kΩ	298	430kΩ
281	150kΩ	299	470kΩ
282	160kΩ	300	510kΩ
283	180kΩ	301	560kΩ
284	200kΩ	302	620kΩ
285	220kΩ	303	680kΩ
286	240kΩ	304	750kΩ
287	270kΩ	305	820kΩ
288	300kΩ	306	910kΩ
289	330kΩ	307	1.0MΩ
290	360kΩ	308	1.1MΩ
291	390kΩ	309	1.2MΩ
292	430kΩ	310	1.3MΩ
293	470kΩ	311	1.5MΩ
294	510kΩ	312	1.6MΩ
295	560kΩ	313	1.8MΩ
296	620kΩ	314	2.0MΩ

SCHEMATIC DIAGRAM (SUBTRANS)



	J	U-C	R	L	T-K	A	B	G-E
81	R412	39K HF45722	2.2K HF45622	2.2K HF45622	2.2K HF45622	2.2K HF45622	2.2K HF45622	2.2K HF45622
82	C405	0.047/400	0.022/630	0.022/630	0.022/630	0.022/630	0.022/630	0.022/630
83	C409	0.1/400	0.047/630	0.047/630	0.047/630	0.047/630	0.047/630	0.047/630
84	F1	5A25330 5A25330	5A25330 5A25330	5A25330 5A25330	5A25330 5A25330	5A25330 5A25330	5A25330 5A25330	5A25330 5A25330
85	F2	8A12BV Y552330	X	X	X	X	X	X
86	J401	0	X	0	0	0	0	X
87	TE401	X	0	X	X	X	X	0
88	T401	X	0	X	X	X	X	0
89	TE401	X	0	X	X	X	X	0
90								
91	R410	1/2P2.2M V573000	V585740	V585740	V585740	V585740	V585740	V585740
92	C411	3300/16	3300/50	3300/50	3300/16	3300/16	3300/16	3300/16
93	R401	SD1-S-112MR 00-2E1-01M-11	DL5120-01M ALKS2F1	SD1-S-112MR 00-2E1-01M-11	SD1-S-112MR 00-2E1-01M-11	SD1-S-112MR 00-2E1-01M-11	SD1-S-112MR 00-2E1-01M-11	SD1-S-112MR 00-2E1-01M-11

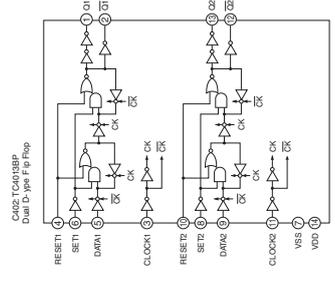
Interchangeable Parts at Manufacture-Stage

Mark	Reference Parts Number	Parts Name
81	D401-402-405-408-411	H55104
		155133
		155176
82	0404	25K3900
		25K3491
83		
84		

- RESISTOR
- REMARKS
  - NO MARK
  - ☑ CARBON FILM RESISTOR (P=5)
  - ☒ CARBON FILM RESISTOR (P=10)
  - △ METAL OXIDE FILM RESISTOR
  - ▲ METAL FILM RESISTOR
  - ☒ METAL PLATE RESISTOR
  - ☒ FIRE PROOF CARBON FILM RESISTOR
  - ☒ CEMENT MOLDED RESISTOR
  - ☒ SEMI VARIABLE RESISTOR
  - CHIP RESISTOR

- CAPACITOR
- REMARKS
- NO MARK
  - ☒ ELECTROLYTIC CAPACITOR
  - ☒ TANTALUM CAPACITOR
  - NO MARK
  - ☒ CERAMIC CAPACITOR
  - ☒ CERAMIC TUBULAR CAPACITOR
  - POLYESTER FILM CAPACITOR
  - POLYSTYRENE FILM CAPACITOR
  - ① MICA CAPACITOR
  - ② POLYPROPYLENE FILM CAPACITOR
  - ③ SEMICONDUCTIVE CERAMIC CAPACITOR
  - ④ POLYPHENYLENE SULFIDE FILM CAPACITOR

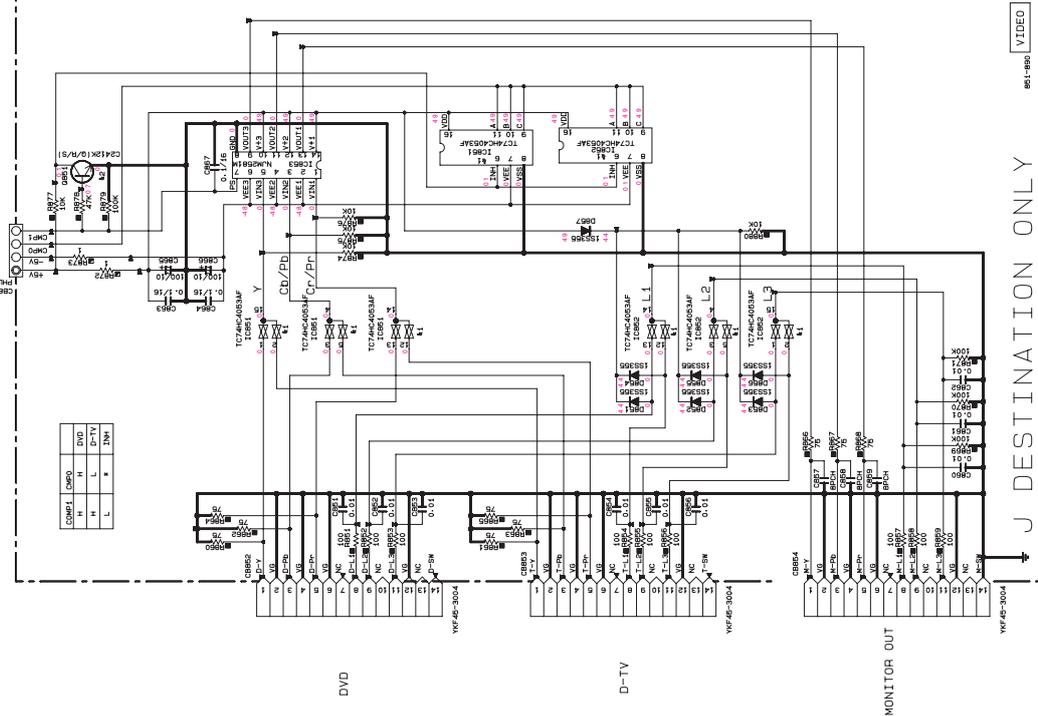
- NOTICE (model)
- (J)..... JAPAN
  - (U)..... U.S.A
  - (C)..... CANADA
  - (R)..... GENERAL
  - (T)..... CHINA
  - (K)..... KOREA
  - (A)..... AUSTRALIA
  - (B)..... BRITISH
  - (G)..... EUROPE
  - (L)..... SINGAPORE
  - (E)..... SOUTH EUROPE



\* All values are measured with a 10MHz DC electronic voltmeter.  
 \* Capacitor values are in microfarads unless otherwise specified.  
 \* Resistor values are in ohms unless otherwise specified.  
 \* Schematic diagram is subject to change without notice.  
 \* 単位は、作業者は、ICの値で測定したものと、  
 \* 1.0の異なる値は、安易に誤差を認めないでください。製品の交換の際は、メーカーの  
 \* 上記の値で測定した値と一致させるようにしてください。  
 \* 上記の値は、作業者は、ICの値で測定したものと、  
 \* 1.0の異なる値は、安易に誤差を認めないでください。製品の交換の際は、メーカーの

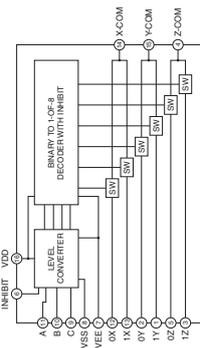
SCHEMATIC DIAGRAM (VIDEO) DSP-AX450

Page 79

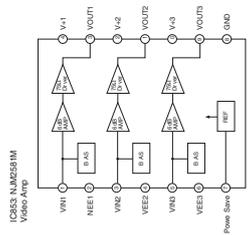


NOTICE (model) (J)..... JAPAN

GB51-882-TCH4K033AF Analog MultiplexDemultiplexer



USEFUL STATES	ON CHANNEL (S)
INHIBIT	C B A
0	0 0 0
1	0 0 1
2	0 1 0
3	0 1 1
4	1 0 0
5	1 0 1
6	1 1 0
7	1 1 1
8	1 1 1
9	1 1 1
10	1 1 1
11	1 1 1
12	1 1 1
13	1 1 1
14	1 1 1
15	1 1 1
16	1 1 1
17	1 1 1
18	1 1 1
19	1 1 1
20	1 1 1
21	1 1 1
22	1 1 1
23	1 1 1
24	1 1 1
25	1 1 1
26	1 1 1
27	1 1 1
28	1 1 1
29	1 1 1
30	1 1 1
31	1 1 1



REMARKS	PARTS NAME
NO MARK	CARBON FILM RESISTOR (P=5)
△	METAL OXIDE FILM RESISTOR
▲	METAL PLATE RESISTOR
□	CERAMIC TUBULAR CAPACITOR
◇	POLYESTER FILM CAPACITOR
○	MICA CAPACITOR
◎	POLYPROPYLENE FILM CAPACITOR
⊙	SEMICONDUCTIVE CERAMIC CAPACITOR
■	CHIP RESISTOR

REMARKS	PARTS NAME
NO MARK	ELECTROLYTIC CAPACITOR
○	TANTALUM CAPACITOR
□	CERAMIC TUBULAR CAPACITOR
◎	POLYESTER FILM CAPACITOR
○	MICA CAPACITOR
⊙	POLYPROPYLENE FILM CAPACITOR
⊕	SEMICONDUCTIVE CERAMIC CAPACITOR

Mark	Reference Parts Number	Parts Name
41	TC4K033AF	TC4K033AF
42	GB51-882	GB51-882
43	GB55-NA20581M	GB55-NA20581M

J DESTINATION ONLY

\* All voltages are measured with a 10MΩV DC exc. tonic volt meter.  
 \* Components having special characteristics are marked with a triangle.  
 \* Schematic diagram is subject to change without notice.

\* 電圧は、10MΩV DC 励起トニック電圧計にて測定。  
 \* 特殊な特性を有する部品は、△印で示されています。  
 \* 本図面は変更を許すものではありません。

# PARTS LIST

## ■ ELECTRICAL PARTS

### ■ WARNING

- Components having special characteristics are marked  $\triangle$  and must be replaced with parts having specifications equal to those originally installed.
- $\triangle$ 印のある部分は、安全確保部品を示しています。部品の交換が必要な場合、パーツリストに記載されている部品を使用してください。
- 部品価格ランクは、予告なく変更することがあります。

### ABBREVIATIONS IN THIS LIST ARE AS FOLLOWS:

C.A.EL.CHP	: CHIP ALUMI.ELECTROLYTIC CAP	L.EMIT	: LIGHT EMITTING MODULE
C.CE	: CERAMIC CAP	LED.DSPLY	: LED DISPLAY
C.CE.ARRAY	: CERAMIC CAP ARRAY	LED.INFRD	: LED,INFRARED
C.CE.CHP	: CHIP CERAMIC CAP	MODUL.RF	: MODULATOR,RF
C.CE.ML	: MULTILAYER CERAMIC CAP	PHOT.CPL	: PHOTO COUPLER
C.CE.M.CHP	: CHIP MULTILAYER CERAMIC CAP	PHOT.INTR	: PHOTO INTERRUPTER
C.CE.SAFTY	: RECOGNIZED CERAMIC CAP	PHOT.RFLCT	: PHOTO REFLECTOR
C.CE.TUBLR	: CERAMIC TUBULAR CAP	PIN.TEST	: PIN,TEST POINT
C.CE.SMI	: SEMI CONDUCTIVE CERAMIC CAP	PLST.RIVET	: PLASTIC RIVET
C.EL	: ELECTROLYTIC CAP	R.ARRAY	: RESISTOR ARRAY
C.MICA	: MICA CAP	R.CAR.	: CARBON RESISTOR
C.ML.FLM	: MULTILAYER FILM CAP	R.CAR.CHP	: CHIP RESISTOR
C.MP	: METALLIZED PAPER CAP	R.CAR.FP	: FLAME PROOF CARBON RESISTOR
C.MYLAR	: MYLAR FILM CAP	R.FUS	: FUSABLE RESISTOR
C.MYLAR.ML	: MULTILAYER MYLAR FILM CAP	R.MTL.CHP	: CHIP METAL FILM RESISTOR
C.PAPER	: PAPER CAPACITOR	R.MTL.FLM	: METAL FILM RESISTOR
C.PLS	: POLYSTYRENE FILM CAP	R.MTL.OXD	: METAL OXIDE FILM RESISTOR
C.POL	: POLYESTER FILM CAP	R.MTL.PLAT	: METAL PLATE RESISTOR
C.POLY	: POLYETHYLENE FILM CAP	RSNR.CE	: CERAMIC RESONATOR
C.PP	: POLYPROPYLENE FILM CAP	RSNR.CRYS	: CRYSTAL RESONATOR
C.TNTL	: TANTALUM CAP	R.TW.CEM	: TWIN CEMENT FIXED RESISTOR
C.TNTL.CHP	: CHIP TANTALUM CAP	R.WW	: WIRE WOUND RESISTOR
C.TRIM	: TRIMMER CAP	SCR.BND.HD	: BIND HEAD B-TITE SCREW
CN	: CONNECTOR	SCR.BW.HD	: BW HEAD TAPPING SCREW
CN.BS.PIN	: CONNECTOR,BASE PIN	SCR.CUP	: CUP TITE SCREW
CN.CANNON	: CONNECTOR,CANNON	SCR.TERM	: SCREW TERMINAL
CN.DIN	: CONNECTOR,DIN	SCR.TR	: SCREW,TRANSISTOR
CN.FLAT	: CONNECTOR,FLAT CABLE	SUPRT.PCB	: SUPPORT,P.C.B.
CN.POST	: CONNECTOR,BASE POST	SURG.PRTCT	: SURGE PROTECTOR
COIL.MX.AM	: COIL,AM MIX	SW.TACT	: TACT SWITCH
COIL.AT.FM	: COIL,FM ANTENNA	SW.LEAF	: LEAF SWITCH
COIL.DT.FM	: COIL,FM DETECT	SW.LEVER	: LEVER SWITCH
COIL.MX.FM	: COIL,FM MIX	SW.MICRO	: MICRO SWITCH
COIL.OUTPT	: OUTPUT COIL	SW.PUSH	: PUSH SWITCH
DIOD.ARRAY	: DIODE ARRAY	SW.RT.ENC	: ROTARY ENCODER
DIODE.BRG	: DIODE BRIDGE	SW.RT.MTR	: ROTARY SWITCH WITH MOTOR
DIODE.CHP	: CHIP DIODE	SW.RT	: ROTARY SWITCH
DIODE.VAR	: VARACTOR DIODE	SW.SLIDE	: SLIDE SWITCH
DIOD.Z.CHP	: CHIP ZENER DIODE	TERM.SP	: SPEAKER TERMINAL
DIODE.ZENR	: ZENER DIODE	TERM.WRAP	: WRAPPING TERMINAL
DSCR.CE	: CERAMIC DISCRIMINATOR	THRMST.CHP	: CHIP THERMISTOR
FER.BEAD	: FERRITE BEADS	TR.CHP	: CHIP TRANSISTOR
FER.CORE	: FERRITE CORE	TR.DGT	: DIGITAL TRANSISTOR
FET.CHP	: CHIP FET	TR.DGT.CHP	: CHIP DIGITAL TRANSISTOR
FL.DSPLY	: FLUORESCENT DISPLAY	TRANS	: TRANSFORMER
FLTR.CE	: CERAMIC FILTER	TRANS.PULS	: PULSE TRANSFORMER
FLTR.COMB	: COMB FILTER MODULE	TRANS.PWR	: POWER TRANSFORMER ASS'Y
FLTR.LC.RF	: LC FILTER,EMI	TUNER.AM	: TUNER PACK,AM
GND.MTL	: GROUND PLATE	TUNER.FM	: TUNER PACK,FM
GND.TERM	: GROUND TERMINAL	TUNER.PK	: FRONT-ENDTUNER PACK
HOLDER.FUS	: FUSE HOLDER	VR	: ROTARY POTENTIOMETER
IC.PRTCT	: IC PROTECTOR	VR.MTR	: POTENTIOMETER WITH MOTOR
JUMPER.CN	: JUMPER CONNECTOR	VR.SW	: POTENTIOMETER WITH ROTARY SW
JUMPER.TST	: JUMPER,TEST POINT	VR.SLIDE	: SLIDE POTENTIOMETER
L.DTCT	: LIGHT DETECTING MODULE	VR.TRIM	: TRIMMER POTENTIOMETER

**Note)** Those parts marked with “#” are not included in the P.C.B. ass'y.

P.C.B. DSP

Schm Ref.	PART NO.	Description	Remarks	Markets	部 品 名	Rank	
*	WC841800	P. C. B.	DSP	550, 5750		P C B D S P	
*	WC841900	P. C. B.	DSP	450	J	P C B D S P	
*	WC842000	P. C. B.	DSP	450, 5740	UCRTKABGLE	P C B D S P	
CB1	V7828000	SOCKET	13P SE TUC SERIES			コネクターソケット	
CB2	VQ044800	CN. BS. PIN	18P			FFCコネクター	01
C2	UR837470	C. EL	47uF 16V			ケミコン	01
C14	UR847220	C. EL	22uF 25V		UCRTKABGLE	ケミコン	01
C15	UR237470	C. EL	47uF 16V	550, 5750		ケミコン	
C15	UR237470	C. EL	47uF 16V	450	J	ケミコン	
C17	UR237470	C. EL	47uF 16V			ケミコン	
C19	UU137470	C. EL	47uF 16V			ケミコン	01
C21	UR837470	C. EL	47uF 16V		UCRTKABGLE	ケミコン	01
C22	UR237470	C. EL	47uF 16V			ケミコン	
C33	UU137470	C. EL	47uF 16V			ケミコン	01
C36	UA654680	C. MYLAR	0.068uF 50V			マイラーコン	02
C40	UA653100	C. MYLAR	1000pF 50V			マイラーコン	03
C50	UR237470	C. EL	47uF 16V			ケミコン	
C53	UU137470	C. EL	47uF 16V			ケミコン	01
C55	UU119100	C. EL	1000uF 6.3V			ケミコン	01
C65	UU118100	C. EL	100uF 6.3V			ケミコン	01
*	C67	UR018470	C. EL 470uF 6.3V			ケミコン	
	C75	UU118100	C. EL 100uF 6.3V			ケミコン	01
	C76	UU118100	C. EL 100uF 6.3V			ケミコン	01
	C78	UR237470	C. EL 47uF 16V			ケミコン	
	C80	UR237470	C. EL 47uF 16V			ケミコン	
*	C81	UR018470	C. EL 470uF 6.3V			ケミコン	
	C82	UR237470	C. EL 47uF 16V			ケミコン	
	C87	UR237470	C. EL 47uF 16V			ケミコン	
	C101	UR237470	C. EL 47uF 16V			ケミコン	
	C105	UR237470	C. EL 47uF 16V			ケミコン	
	C124	UU118100	C. EL 100uF 6.3V			ケミコン	01
	C125	UU137470	C. EL 47uF 16V			ケミコン	01
	C126	UU118100	C. EL 100uF 6.3V			ケミコン	01
	C131	UU118470	C. EL 470uF 6.3V			ケミコン FW	01
	C145	UU166220	C. EL 2.2uF 50V			ケミコン	01
	C152	UR037100	C. EL 10uF 16V			ケミコン	01
	C153	UR037100	C. EL 10uF 16V			ケミコン	01
	C154	UR837100	C. EL 10uF 16V			ケミコン	01
	C156	UR837100	C. EL 10uF 16V			ケミコン	01
	C157	UR837100	C. EL 10uF 16V			ケミコン	01
	C158	UR037470	C. EL 47uF 16V			ケミコン	01
	C159	UR037470	C. EL 47uF 16V			ケミコン	01
	C162	UR037100	C. EL 10uF 16V			ケミコン	01
	C163	UR037100	C. EL 10uF 16V			ケミコン	01
	C164	UA652680	C. MYLAR 680pF 50V			マイラーコン	01
	C165	UA654470	C. MYLAR 0.047uF 50V			マイラーコン	01
	C166	UA652680	C. MYLAR 680pF 50V			マイラーコン	01
	C168	UA652680	C. MYLAR 680pF 50V			マイラーコン	01
	C169	UA652680	C. MYLAR 680pF 50V			マイラーコン	01
	C177	UA652100	C. MYLAR 100pF 50V			マイラーコン	01
	C179	UA652100	C. MYLAR 100pF 50V			マイラーコン	01
	C180	UA652100	C. MYLAR 100pF 50V			マイラーコン	01
	C181	UA652100	C. MYLAR 100pF 50V			マイラーコン	01

\* New Parts \* 新規部品(マーク#の部品は、基板に含まれません)

RX-V550/HTR-5750  
RX-V450/HTR-5740/DSP-AX450

P.C.B. DSP

Schm Ref.	PART NO.	Description	Remarks	Markets	部 品 名	Rank
C183	UA653390	C. MYLAR	3900pF 50V		マイラーコン	01
C186	UR037100	C. EL	10uF 16V		ケミコン	01
C187	UR037100	C. EL	10uF 16V		ケミコン	01
C188	UR837100	C. EL	10uF 16V		ケミコン	01
C190	UR837100	C. EL	10uF 16V		ケミコン	01
C191	UR837100	C. EL	10uF 16V		ケミコン	01
C194	UR037100	C. EL	10uF 16V		ケミコン	01
C195	UR037100	C. EL	10uF 16V		ケミコン	01
C198	UA655100	C. MYLAR	0.1uF 50V		マイラーコン	01
C199	UA655100	C. MYLAR	0.1uF 50V		マイラーコン	01
C200	UA655100	C. MYLAR	0.1uF 50V		マイラーコン	01
C201	UA655100	C. MYLAR	0.1uF 50V		マイラーコン	01
C202	UA655100	C. MYLAR	0.1uF 50V		マイラーコン	01
C203	UA655100	C. MYLAR	0.1uF 50V		マイラーコン	01
C206	UR037470	C. EL	47uF 16V		ケミコン	01
C207	UR037470	C. EL	47uF 16V		ケミコン	01
C208	UR037470	C. EL	47uF 16V		ケミコン	01
C209	UR037470	C. EL	47uF 16V		ケミコン	01
C210	UR037470	C. EL	47uF 16V		ケミコン	01
C211	UR037470	C. EL	47uF 16V		ケミコン	01
D1	VV220700	DIODE. SHOT	RB501V-40	550, 5750, AX450	ショットキーダイオード	01
D2	VV220700	DIODE. SHOT	RB501V-40	550, 5750, AX450	ショットキーダイオード	01
D3	VT332900	DIODE	1SS355		ダイオード	01
D4	VT332900	DIODE	1SS355		ダイオード	01
D5	VT332900	DIODE	1SS355		ダイオード	01
D6	VT332900	DIODE	1SS355		ダイオード	01
D7	VT332900	DIODE	1SS355		ダイオード	01
D8	VT332900	DIODE	1SS355		ダイオード	01
D9	WB081800	DIODE	SB01-05Q		ショットキダイオード	
D10	WB081800	DIODE	SB01-05Q		ショットキダイオード	
D11	WB081800	DIODE	SB01-05Q		ショットキダイオード	
D12	WB081800	DIODE	SB01-05Q		ショットキダイオード	
IC1	XY070A00	IC	MM74HCU04SJX INVER		ロジック IC SOP	01
* IC2	X5444A00	IC	LC89057W-VF4D-E		IC	
IC3	XY120A00	IC	TC74HCT00AF(EL) NA	550, 5750, AX450	ロジック IC SOP	01
IC4	XR038A00	IC	NJM2904M OP AMP	550, 5750, AX450	IC	01
* IC5	X4570A00	IC	YSS948-V		IC デジタル	
* IC6	X2639A00	IC	CY62128BLL-70SCT		メモリ IC	07
IC7	X3567A00	IC	YSS930-SZ		IC	08
IC8	XV077B00	IC	MSM514260E-60JS		メモリ IC 4M	07
IC10	X3693A00	IC	SN74LV245APWR TRAN		ロジック IC TSSOP	
IC11	XU965A00	IC	uPC29M33T-E1 3.3V		電源 IC	03
IC12	XZ003A00	IC	PQ025EZ5MZP 2.5V		電源 IC QFP	03
IC13	X4314A00	IC	PQ012FZ01ZP 1.2V1A		電源 IC QFP	04
IC14	X0293A00	IC	74VHC157MTCX		ロジック IC TSSOP	02
IC16	X3807A00	IC	AK4628VQ		IC	
IC18	XF291A00	IC	uPC4570G2		IC	03
IC19	X3505A00	IC	NJM2068MD-TE2		アンプ IC SOP	02
IC20	X3505A00	IC	NJM2068MD-TE2		アンプ IC SOP	02
IC21	X3505A00	IC	NJM2068MD-TE2		アンプ IC SOP	02
IC22	X3824A00	IC	SN74AHCT08PWR		ロジック IC	01
PJ1	V4483900	JACK. PIN	1P YKC21-3895		ピンジャック	
R5	HV753100	R. CAR. FP	1Ω 1/4W		不燃化カーボン抵抗	01

\* New Parts \* 新規部品(マーク#の部品は、基板に含まれません)

RX-V550/HTR-5750  
RX-V450/HTR-5740/DSP-AX450



**RX-V550**

**P.C.B. DSP & P.C.B. FUNCTION**

Schm Ref.	PART NO.	Description	Remarks	Markets	部 品 名	Rank	
R18	HV753100	R. CAR. FP	1Ω 1/4W	550, 5750, AX450	不燃化カーボン抵抗	01	
R40	V8070000	R. MTL. FLM	1Ω 1W		金属被膜抵抗		
R52	HV753100	R. CAR. FP	1Ω 1/4W		不燃化カーボン抵抗	01	
R63	HV753100	R. CAR. FP	1Ω 1/4W		不燃化カーボン抵抗	01	
R104	V8070000	R. MTL. FLM	1Ω 1W		金属被膜抵抗		
R105	HV753100	R. CAR. FP	1Ω 1/4W		不燃化カーボン抵抗	01	
R111	HV753100	R. CAR. FP	1Ω 1/4W		不燃化カーボン抵抗	01	
R194	HV753220	R. CAR. FP	2.2Ω 1/4W		不燃化カーボン抵抗	01	
R195	HV753220	R. CAR. FP	2.2Ω 1/4W		不燃化カーボン抵抗	01	
ST1	V4040500	SCR. TERM	M3		スクリュー/ターミナル	01	
U1	WB001600	CN. PHOT. SN	1P GP1FA553TZ	550, 5750, AX450	光ファイバリンク		
U2	WB001400	CN. PHOT. SN	1P GP1FA553RZ	550, 5750, AX450	光ファイバ受信器	04	
U3	WB001400	CN. PHOT. SN	1P GP1FA553RZ		光ファイバ受信器	04	
U4	WB001400	CN. PHOT. SN	1P GP1FA553RZ		光ファイバ受信器	04	
XL1	V3625700	RSNR. CRYST	24.576MHz		水晶振動子	03	
	WC844500	P. C. B.	FUNCTION	550	UC	P C B ファンクション	
	WC844600	P. C. B.	FUNCTION	550	R	P C B ファンクション	
	WC844700	P. C. B.	FUNCTION	550	T	P C B ファンクション	
	WC844800	P. C. B.	FUNCTION	550	K	P C B ファンクション	
	WC844900	P. C. B.	FUNCTION	550	A	P C B ファンクション	
	WC845000	P. C. B.	FUNCTION	550	BGE	P C B ファンクション	
	WC845100	P. C. B.	FUNCTION	550	L	P C B ファンクション	
CB301	V7826600	CN	16P TE TUC SERIES	550		コネクタープラグ	01
CB303	V7828700	SOCKET	20P SE TUC SERIES	550		コネクタースocket	01
CB305	VP573800	CN. BS. PIN	18P	550		F F C コネクタ	01
CB306	VB858700	CN. BS. PIN	8P	550		ベースピン	01
CB307	VK026600	CN. BS. PIN	7P	550		ワイヤートラップ	01
CB308	VM923600	CN. BS. PIN	13P	550		F F C コネクタ	01
CB309	VB858400	CN. BS. PIN	5P	550		ベースピン	01
CB401	V7828300	SOCKET	16P TE TUC SERIES	550		コネクタースocket	01
CB402	V7826600	CN	16P TE TUC SERIES	550		コネクタープラグ	01
CB461	Vi878300	CN. BS. PIN	5P	550	UCA	ケーブルホルダー	01
CB501	VM929900	CN. BS. PIN	15P	550		F P C コネクタ	01
CB502	VQ044900	CN. BS. PIN	19P	550		F F C コネクタ	01
CB503	VP682300	CN. BS. PIN	8P	550		F F C コネクタ	01
CB504	Vi878300	CN. BS. PIN	5P	550	UCA	ケーブルホルダー	01
CB505	VQ045100	CN. BS. PIN	21P	550		F F C コネクタ	02
CB506	V7826300	CN	13P TE TUC SERIES	550		コネクタープラグ	
CB508	V7827000	CN	20P TE TUC SERIES	550		コネクタープラグ	01
CB510	V7825900	CN	9P TE TUC SERIES	550		コネクタープラグ	
CB511	V7826400	CN	14P TE TUC SERIES	550		コネクタープラグ	
CB512	V7825500	CN	5P TE TUC SERIES	550		コネクタープラグ	01
CB601	V7828100	SOCKET	14P TE TUC SERIES	550		コネクタースocket	
CB701	V7827200	SOCKET	5P TE TUC SERIES	550		コネクタースocket	
CB751	V7828300	SOCKET	16P TE TUC SERIES	550		コネクタースocket	01
CB901	V7827600	SOCKET	9P SE TUC SERIES	550		コネクタースocket	
C307	UA652220	C. MYLAR	220pF 50V	550		マイラーコン	01
C308	UA652220	C. MYLAR	220pF 50V	550		マイラーコン	01
C309	UA652220	C. MYLAR	220pF 50V	550		マイラーコン	01
C310	UA652220	C. MYLAR	220pF 50V	550		マイラーコン	01

\* New Parts \* 新規部品(マーク#の部品は、基板に含まれません)

RX-V550/HTR-5750  
RX-V450/HTR-5740/DSP-AX450

**RX-V550**

**P.C.B. FUNCTION**

Schm Ref.	PART NO.	Description	Remarks	Markets	部 品 名	Rank
C311	FG651470	C. CE	47pF 50V	550	セラコン	01
C312	FG651470	C. CE	47pF 50V	550	セラコン	01
C313	UR837100	C. EL	10uF 16V	550	ケミコン	01
C314	UR837100	C. EL	10uF 16V	550	ケミコン	01
C315	UR837100	C. EL	10uF 16V	550	ケミコン	01
C316	UR837100	C. EL	10uF 16V	550	ケミコン	01
C317	UR837100	C. EL	10uF 16V	550	ケミコン	01
C318	VE326300	C. MYLAR. ML	0.18uF 50V	550	積層マイラーコン	01
C319	VE326300	C. MYLAR. ML	0.18uF 50V	550	積層マイラーコン	01
C320	UA653470	C. MYLAR	4700pF 50V	550	マイラーコン	01
C321	UR837100	C. EL	10uF 16V	550	ケミコン	01
C322	UU137100	C. EL	10uF 16V	550	ケミコン	01
C323	UU137100	C. EL	10uF 16V	550	ケミコン	01
C324	UU137100	C. EL	10uF 16V	550	ケミコン	01
C325	UA655150	C. MYLAR	0.15uF 50V	550	マイラーコン	01
C326	UA655150	C. MYLAR	0.15uF 50V	550	マイラーコン	01
C327	UA653470	C. MYLAR	4700pF 50V	550	マイラーコン	01
C330	UR037100	C. EL	10uF 16V	550	ケミコン	01
C331	UR037100	C. EL	10uF 16V	550	ケミコン	01
C332	UT652100	C. PP	100pF 100V	550	P Pコン	01
C333	UT652100	C. PP	100pF 100V	550	P Pコン	01
C334	UU137100	C. EL	10uF 16V	550	ケミコン	01
C335	UU137100	C. EL	10uF 16V	550	ケミコン	01
C336	VG291200	C. EL	47uF 50V	550	ケミコン	01
C337	VG291200	C. EL	47uF 50V	550	ケミコン	01
C338	UR837100	C. EL	10uF 16V	550	ケミコン	01
C339	UA652100	C. MYLAR	100pF 50V	550	マイラーコン	01
C340	UR837100	C. EL	10uF 16V	550	ケミコン	01
C341	UU137100	C. EL	10uF 16V	550	ケミコン	01
C342	UR837100	C. EL	10uF 16V	550	ケミコン	01
C343	UR837100	C. EL	10uF 16V	550	ケミコン	01
C344	UR837100	C. EL	10uF 16V	550	ケミコン	01
C347	VG291200	C. EL	47uF 50V	550	ケミコン	01
C348	VG291200	C. EL	47uF 50V	550	ケミコン	01
C349	UR037470	C. EL	47uF 16V	550	ケミコン	01
C350	UR037470	C. EL	47uF 16V	550	ケミコン	01
C355	UR837100	C. EL	10uF 16V	550	ケミコン	01
C356	UR837100	C. EL	10uF 16V	550	ケミコン	01
C361	UR837100	C. EL	10uF 16V	550	ケミコン	01
C362	UR837100	C. EL	10uF 16V	550	ケミコン	01
C365	UR239100	C. EL	1000uF 16V	550	ケミコン	
C366	UR239100	C. EL	1000uF 16V	550	ケミコン	
C367	UR837100	C. EL	10uF 16V	550	ケミコン	01
C368	UR837100	C. EL	10uF 16V	550	ケミコン	01
C369	UR037100	C. EL	10uF 16V	550	ケミコン	01
C370	UR037100	C. EL	10uF 16V	550	ケミコン	01
C371	UA652100	C. MYLAR	100pF 50V	550	マイラーコン	01
C372	UA652100	C. MYLAR	100pF 50V	550	マイラーコン	01
C373	UA652680	C. MYLAR	680pF 50V	550	マイラーコン	01
C374	UA652680	C. MYLAR	680pF 50V	550	マイラーコン	01
C377	UR037470	C. EL	47uF 16V	550	ケミコン	01
C378	UR037470	C. EL	47uF 16V	550	ケミコン	01
C501	UR237470	C. EL	47uF 16V	550	ケミコン	

\* New Parts \* 新規部品(マーク#の部品は、基板に含まれません)

RX-V550/HTR-5750  
RX-V450/HTR-5740/DSP-AX450

**RX-V550**

**P.C.B. FUNCTION**

Schm Ref.	PART NO.	Description	Remarks	Markets	部 品 名	Rank
C502	UR837100	C. EL 10uF 16V	550		ケミコン	01
C503	UR818220	C. EL 220uF 6.3V	550		ケミコン	01
C504	WB165500	C. EL 0.33F 5.5V	550		ゴールドキャパシタ	
C505	UR818220	C. EL 220uF 6.3V	550		ケミコン	01
C506	VG287600	C. EL 100uF 25V	550		ケミコン	01
C511	UR866220	C. EL 2.2uF 50V	550		ケミコン	01
C512	UR866220	C. EL 2.2uF 50V	550	UCA	ケミコン	01
C513	UR866220	C. EL 2.2uF 50V	550		ケミコン	01
C514	UR866220	C. EL 2.2uF 50V	550		ケミコン	01
C515	UR866220	C. EL 2.2uF 50V	550		ケミコン	01
C522	UR237470	C. EL 47uF 16V	550		ケミコン	
C523	UR237470	C. EL 47uF 16V	550		ケミコン	
C524	UR237470	C. EL 47uF 16V	550		ケミコン	
C528	UR237470	C. EL 47uF 16V	550	BGE	ケミコン	
C529	UR237470	C. EL 47uF 16V	550	BGE	ケミコン	
C534	UR237470	C. EL 47uF 16V	550	BGE	ケミコン	
C535	UR067470	C. EL 47uF 50V	550		ケミコン	
C539	UR837330	C. EL 33uF 16V	550		ケミコン	01
C603	UR837100	C. EL 10uF 16V	550		ケミコン	01
C604	UR837100	C. EL 10uF 16V	550		ケミコン	01
C605	UR837100	C. EL 10uF 16V	550		ケミコン	01
C608	UR837100	C. EL 10uF 16V	550		ケミコン	01
C609	UR837100	C. EL 10uF 16V	550		ケミコン	01
C610	UR837100	C. EL 10uF 16V	550		ケミコン	01
C612	UR829100	C. EL 1000uF 10V	550		ケミコン	01
C614	UR829100	C. EL 1000uF 10V	550		ケミコン	01
C619	UR238470	C. EL 470uF 16V	550		ケミコン	
C620	UR238100	C. EL 100uF 16V	550		ケミコン	
C621	UR238100	C. EL 100uF 16V	550		ケミコン	
C624	UR837100	C. EL 10uF 16V	550		ケミコン	01
C625	UR837100	C. EL 10uF 16V	550		ケミコン	01
C626	UA653220	C. MYLAR 2200pF 50V	550		マイラーコン	01
C628	UR866470	C. EL 4.7uF 50V	550		ケミコン	01
C629	UR837470	C. EL 47uF 16V	550		ケミコン	01
C633	UR238100	C. EL 100uF 16V	550		ケミコン	
C634	UR238100	C. EL 100uF 16V	550		ケミコン	
C635	UR837100	C. EL 10uF 16V	550		ケミコン	01
C637	UR238100	C. EL 100uF 16V	550		ケミコン	
C639	UR837100	C. EL 10uF 16V	550		ケミコン	01
C648	UR866470	C. EL 4.7uF 50V	550		ケミコン	01
C652	UR238100	C. EL 100uF 16V	550		ケミコン	
C653	UR818330	C. EL 330uF 6.3V	550		ケミコン	01
C704	UR837100	C. EL 10uF 16V	550		ケミコン	01
C705	UR837100	C. EL 10uF 16V	550		ケミコン	01
C706	UR837100	C. EL 10uF 16V	550		ケミコン	01
C709	UR238100	C. EL 100uF 16V	550		ケミコン	
C710	UR238100	C. EL 100uF 16V	550		ケミコン	
C754	FG651470	C. CE 47pF 50V	550	UCA	セラコン	01
C755	FG651470	C. CE 47pF 50V	550	UCA	セラコン	01
C756	UA654100	C. MYLAR 0.01uF 50V	550		マイラーコン	01
C757	UA652220	C. MYLAR 220pF 50V	550		マイラーコン	01
C758	UA652220	C. MYLAR 220pF 50V	550		マイラーコン	01
C759	UA652220	C. MYLAR 220pF 50V	550		マイラーコン	01

\* New Parts \* 新規部品(マーク#の部品は、基板に含まれません)

RX-V550/HTR-5750  
RX-V450/HTR-5740/DSP-AX450

**RX-V550**

**P.C.B. FUNCTION**

Schm Ref.	PART NO.	Description	Remarks	Markets	部 品 名	Rank	
C760	UA652220	C. MYLAR	220pF 50V	550		マイラーコン	01
C761	UA652220	C. MYLAR	220pF 50V	550		マイラーコン	01
C762	UA652220	C. MYLAR	220pF 50V	550		マイラーコン	01
C763	FG651470	C. CE	47pF 50V	550		セラコン	01
C764	FG651470	C. CE	47pF 50V	550		セラコン	01
C765	UR837100	C. EL	10uF 16V	550		ケミコン	01
C766	UR837100	C. EL	10uF 16V	550		ケミコン	01
C767	UR837100	C. EL	10uF 16V	550	UCA	ケミコン	01
C768	UR837100	C. EL	10uF 16V	550	UCA	ケミコン	01
C903	UR837100	C. EL	10uF 16V	550		ケミコン	01
C904	UR837100	C. EL	10uF 16V	550		ケミコン	01
C905	UR837100	C. EL	10uF 16V	550		ケミコン	01
C906	UR829100	C. EL	1000uF 10V	550		ケミコン	01
C907	UR829100	C. EL	1000uF 10V	550		ケミコン	01
C909	UR837100	C. EL	10uF 16V	550		ケミコン	01
C910	UR238470	C. EL	470uF 16V	550		ケミコン	01
C911	UR837100	C. EL	10uF 16V	550		ケミコン	01
D301	VU994300	DIODE. ZENR	MA8075-H 7.7V	550		ツェナーダイオード	
D302	VU994300	DIODE. ZENR	MA8075-H 7.7V	550		ツェナーダイオード	
D303	VV307700	DIODE	1N4002S	550		ダイオード	01
D304	VV307700	DIODE	1N4002S	550		ダイオード	01
D461	VT332900	DIODE	1SS355	550	UCA	ダイオード	01
D462	VT332900	DIODE	1SS355	550	UCA	ダイオード	01
D463	VT332900	DIODE	1SS355	550	UCA	ダイオード	01
D501	VT332900	DIODE	1SS355	550		ダイオード	01
D502	VT332900	DIODE	1SS355	550		ダイオード	01
D503	VT332900	DIODE	1SS355	550		ダイオード	01
D504	VU992600	DIODE. ZENR	MA8051-M 5.1V	550		ツェナーダイオード	01
D505	VU992600	DIODE. ZENR	MA8051-M 5.1V	550		ツェナーダイオード	01
D507	VU992600	DIODE. ZENR	MA8051-M 5.1V	550		ツェナーダイオード	01
D508	VU993000	DIODE. ZENR	MA8056-M 5.6V	550		ツェナーダイオード	01
D510	VU992600	DIODE. ZENR	MA8051-M 5.1V	550		ツェナーダイオード	01
D511	VT332900	DIODE	1SS355	550		ダイオード	01
D601	VT332900	DIODE	1SS355	550		ダイオード	01
D602	VT332900	DIODE	1SS355	550		ダイオード	01
D603	VT332900	DIODE	1SS355	550		ダイオード	01
D604	VT332900	DIODE	1SS355	550		ダイオード	01
D606	VT332900	DIODE	1SS355	550		ダイオード	01
D607	VT332900	DIODE	1SS355	550		ダイオード	01
D608	VT332900	DIODE	1SS355	550		ダイオード	01
D609	VT332900	DIODE	1SS355	550		ダイオード	01
D610	VT332900	DIODE	1SS355	550		ダイオード	01
IC301	X5092A00	IC	BD3816K1	550		IC	
IC302	X3547A00	IC	BD3841FS	550	UCA	IC	
IC303	X3505A00	IC	NJM2068MD-TE2	550		アンプ IC SOP	02
IC304	X3505A00	IC	NJM2068MD-TE2	550		アンプ IC SOP	02
IC305	XP844A00	IC	NJM4556AL	550		IC	02
IC306	X3505A00	IC	NJM2068MD-TE2	550		アンプ IC SOP	02
IC501	X5041A00	IC	NJU7201L55 5.5V	550		電源 IC SIL	02
IC502	X5269A00	IC. CPU	M30622MWP-152FP	MASK ROM		IC CPU	
IC503	X0082A00	IC	LC72722PM	550	BGE	IC SOP	
IC601	XH436A00	IC	LA7956	550		IC	03
IC602	XH436A00	IC	LA7956	550		IC	03

\* New Parts \* 新規部品(マーク#の部品は、基板に含まれません)

**RX-V550**

**P.C.B. FUNCTION**

Schm Ref.	PART NO.	Description	Remarks	Markets	部 品 名	Rank	
IC603	XY879A00	IC	TC74HC4053AF(EL)	550		ロジックIC SOP	03
IC606	XY879A00	IC	TC74HC4053AF(EL)	550		ロジックIC SOP	03
IC607	XW939A00	IC	TK15420M VIDEO AMP	550		アンプIC SOP	03
IC608	XW939A00	IC	TK15420M VIDEO AMP	550		アンプIC SOP	03
IC609	XD598A00	IC	TC74HCU04AFEL INV	550		ロジックIC	01
IC701	XY879A00	IC	TC74HC4053AF(EL)	550		ロジックIC SOP	03
IC702	X2904A00	IC	NJM2581M VIDEO AMP	550		アンプIC SOP	06
IC901	XH436A00	IC	LA7956	550		IC	03
JK461	V9435700	JACK. MNI	MSJ-035-12APC	550	UCA	モノラル ミニジャック	
JK462	WD195900	JACK	2P	550	UCA	ミニ ジャック	
JK601	VS867300	CN. DIN	4P YKF51-5501	550		DINコネクタ	03
JK602	V9273500	CN. DIN	2P YKF51-5605	550		DINコネクタ2P	
JK603	V9273500	CN. DIN	2P YKF51-5605	550		DINコネクタ2P	
PJ301	V7190400	JACK. PIN	6P	550		ピンジャック	03
PJ302	V7046800	JACK. PIN	6P MSP-246V1-01NI	550		ピンジャック	
PJ701	V8143900	JACK. PIN	9P SHIELD YKC21	550		ピンジャック	04
PJ751	V7046700	JACK. PIN	4P MSP-244V1-01NI	550		ピンジャック	
PJ752	V7046800	JACK. PIN	6P MSP-246V1-01NI	550	UCA	ピンジャック	
PJ752	V7046700	JACK. PIN	4P MSP-244V1-01NI	550	RTKBGEL	ピンジャック	
PJ753	V7189700	JACK. PIN	1P	550		ピンジャック	01
PJ901	V7190000	JACK. PIN	2P	550		ピンジャック	
PJ902	V7190000	JACK. PIN	2P	550		ピンジャック	
PJ903	V7189800	JACK. PIN	1P	550		ピンジャック	01
PN301	V9637500	PIN	L=70 #18	550		スタイルピン	
Q301	VD303700	TR	2SC3326 A,B	550		トランジスタ	01
Q302	VD303700	TR	2SC3326 A,B	550		トランジスタ	01
Q303	VD303700	TR	2SC3326 A,B	550		トランジスタ	01
Q304	VD303700	TR	2SC3326 A,B	550		トランジスタ	01
Q305	VD303700	TR	2SC3326 A,B	550		トランジスタ	01
Q306	VD303700	TR	2SC3326 A,B	550		トランジスタ	01
Q307	iC181510	TR	2SC1815 Y	550		トランジスタ	01
Q308	iA101510	TR	2SA1015 Y	550		トランジスタ	01
Q309	VD303700	TR	2SC3326 A,B	550		トランジスタ	01
Q310	VD303700	TR	2SC3326 A,B	550		トランジスタ	01
Q461	VP872600	TR	2SA1708 S,T	550	UCA	トランジスタ	01
Q462	VV655700	TR. DGT	DTC144EKA	550	UCA	デジタルトランジスタ	01
Q501	VP872600	TR	2SA1708 S,T	550		トランジスタ	01
Q502	VV556500	TR	2SA1037K Q,R,S	550		トランジスタ	01
Q503	VV556500	TR	2SA1037K Q,R,S	550	UCA	トランジスタ	01
Q504	VV556500	TR	2SA1037K Q,R,S	550		トランジスタ	01
Q505	VV556500	TR	2SA1037K Q,R,S	550		トランジスタ	01
Q506	VV556500	TR	2SA1037K Q,R,S	550		トランジスタ	01
Q507	iC181510	TR	2SC1815 Y	550		トランジスタ	01
Q508	iC174020	TR	2SC1740S R,S	550		トランジスタ	01
Q508	iC174020	TR	2SC1740S R,S	550	BGE	トランジスタ	01
Q509	VV655700	TR. DGT	DTC144EKA	550		デジタルトランジスタ	01
Q601	iC174020	TR	2SC1740S R,S	550		トランジスタ	01
Q602	iC174020	TR	2SC1740S R,S	550		トランジスタ	01
Q603	iC174020	TR	2SC1740S R,S	550		トランジスタ	01
Q604	iC174020	TR	2SC1740S R,S	550		トランジスタ	01
Q605	iC174020	TR	2SC1740S R,S	550		トランジスタ	01
Q606	iC174020	TR	2SC1740S R,S	550		トランジスタ	01
Q607	iC174020	TR	2SC1740S R,S	550		トランジスタ	01

\* New Parts \* 新規部品(マーク#の部品は、基板に含まれません)

RX-V550/HTR-5750  
RX-V450/HTR-5740/DSP-AX450

\*  
\*

**RX-V550**

**P.C.B. FUNCTION**

Schm Ref.	PART NO.	Description	Remarks	Markets	部 品 名	Rank	
Q608	iC174020	TR	2SC1740S R, S	550		トランジスタ	01
Q610	iC174020	TR	2SC1740S R, S	550		トランジスタ	01
Q611	iC174020	TR	2SC1740S R, S	550		トランジスタ	01
Q612	iC174020	TR	2SC1740S R, S	550		トランジスタ	01
Q613	iC053540	TR	2SC535 A, B, C	550		トランジスタ	01
Q614	iA101510	TR	2SA1015 Y	550		トランジスタ	01
Q615	iC224030	TR	2SC2240 GR, BL	550		トランジスタ	01
Q701	VV556400	TR	2SC2412K O, R, S	550		トランジスタ	01
Q751	VD303700	TR	2SC3326 A, B	550	UCA	トランジスタ	01
Q752	VD303700	TR	2SC3326 A, B	550	UCA	トランジスタ	01
Q753	VD303700	TR	2SC3326 A, B	550		トランジスタ	01
Q754	VD303700	TR	2SC3326 A, B	550	UCA	トランジスタ	01
Q755	VD303700	TR	2SC3326 A, B	550	UCA	トランジスタ	01
Q756	VD303700	TR	2SC3326 A, B	550		トランジスタ	01
Q901	iC174020	TR	2SC1740S R, S	550		トランジスタ	01
Q902	iC174020	TR	2SC1740S R, S	550		トランジスタ	01
Q903	iC174020	TR	2SC1740S R, S	550		トランジスタ	01
Q904	iC174020	TR	2SC1740S R, S	550		トランジスタ	01
R374	HV755220	R. CAR. FP	220 Ω 1/4W	550		不燃化カーボン抵抗	01
R375	HV755150	R. CAR. FP	150 Ω 1/4W	550		不燃化カーボン抵抗	01
R382	HV755100	R. CAR. FP	100 Ω 1/4W	550		不燃化カーボン抵抗	01
R383	HV755100	R. CAR. FP	100 Ω 1/4W	550		不燃化カーボン抵抗	01
R586	HV753220	R. CAR. FP	2.2 Ω 1/4W	550		不燃化カーボン抵抗	01
R615	HV755270	R. CAR. FP	270 Ω 1/4W	550		不燃化カーボン抵抗	01
R618	HV755470	R. CAR. FP	470 Ω 1/4W	550		不燃化カーボン抵抗	01
R619	HV755270	R. CAR. FP	270 Ω 1/4W	550		不燃化カーボン抵抗	01
R620	HV755470	R. CAR. FP	470 Ω 1/4W	550		不燃化カーボン抵抗	01
R629	HV753470	R. CAR. FP	4.7 Ω 1/4W	550		不燃化カーボン抵抗	01
R657	HV755470	R. CAR. FP	470 Ω 1/4W	550		不燃化カーボン抵抗	01
R661	HV755470	R. CAR. FP	470 Ω 1/4W	550		不燃化カーボン抵抗	01
R663	HV755470	R. CAR. FP	470 Ω 1/4W	550		不燃化カーボン抵抗	01
R667	HV753470	R. CAR. FP	4.7 Ω 1/4W	550		不燃化カーボン抵抗	01
R672	HV755470	R. CAR. FP	470 Ω 1/4W	550		不燃化カーボン抵抗	01
R675	HV754220	R. CAR. FP	22 Ω 1/4W	550		不燃化カーボン抵抗	01
R676	HV755470	R. CAR. FP	470 Ω 1/4W	550		不燃化カーボン抵抗	01
R716	HV753100	R. CAR. FP	1 Ω 1/4W	550		不燃化カーボン抵抗	01
R717	HV753100	R. CAR. FP	1 Ω 1/4W	550		不燃化カーボン抵抗	01
R908	HV755270	R. CAR. FP	270 Ω 1/4W	550		不燃化カーボン抵抗	01
R910	HV755270	R. CAR. FP	270 Ω 1/4W	550		不燃化カーボン抵抗	01
R916	HV754100	R. CAR. FP	10 Ω 1/4W	550		不燃化カーボン抵抗	01
ST501	V4040500	SCR. TERM	M3	550		スクリュー／ターミナル	01
SW901	V3624300	SW. SLIDE	SS029-P022MJB-PA6	550	RL	スライドSW	01
T601	WC716600	COIL	K5-MT	550	UCRK	ビデオコイルパック	
T601	WC716700	COIL	K5-MT	550	TABGEL	ビデオコイルパック	
T602	WC716800	COIL	K5-MS	550	UCRK	ビデオコイルパック	
T602	WC716900	COIL	K5-MS	550	TABGEL	ビデオコイルパック	
XL501	WA674700	RSNR. CE	16MHz CSTLS16MOX51	550		セラミック振動子	
XL502	V3930900	RSNR. CRYST	4.332MHz	550	BGE	水晶振動子	05

\*  
\*  
\*  
\*  
\*

\* New Parts \* 新規部品(マーク#の部品は、基板に含まれません)

RX-V550/HTR-5750  
RX-V450/HTR-5740/DSP-AX450

HTR-5750

RX-V450/HTR-5740/DSP-AX450

P.C.B. FUNCTION

\*  
\*  
\*  
\*  
\*  
\*  
\*  
\*  
\*  
\*  
\*  
\*

Schm Ref.	PART NO.	Description	Remarks	Markets	部 品 名	Rank	
	WC843700	P. C. B.	FUNCTION	450	J	P C B ファンクション	
	WC843800	P. C. B.	FUNCTION	450, 5740	UC	P C B ファンクション	
	WC843900	P. C. B.	FUNCTION	450	RL	P C B ファンクション	
	WC844000	P. C. B.	FUNCTION	450, 5740	T	P C B ファンクション	
	WC844100	P. C. B.	FUNCTION	450, 5740	K	P C B ファンクション	
	WC844100	P. C. B.	FUNCTION	450, 5740	A	P C B ファンクション	
	WC844200	P. C. B.	FUNCTION	450, 5740	BGE	P C B ファンクション	
	WC845300	P. C. B.	FUNCTION	5750	UC	P C B ファンクション	
	WC845400	P. C. B.	FUNCTION	5750	T	P C B ファンクション	
	WC845500	P. C. B.	FUNCTION	5750	K	P C B ファンクション	
	WC845600	P. C. B.	FUNCTION	5750	A	P C B ファンクション	
CB301	V7826600	CN	16P TE TUC SERIES	450, 5750, 5740		コネクタープラグ	01
CB303	V7828700	SOCKET	20P SE TUC SERIES	450, 5750, 5740		コネクタースOCKET	01
CB305	VP573800	CN. BS. PIN	18P	450, 5750, 5740		F F C コネクタースピ	01
CB306	VB858700	CN. BS. PIN	8P	450, 5750, 5740		ベースピン	01
CB307	VK026600	CN. BS. PIN	7P	450, 5750, 5740		ワイヤートラップ	01
CB308	VM923600	CN. BS. PIN	13P	450, 5750, 5740		F F C コネクタースピ	01
CB309	VB858400	CN. BS. PIN	5P	450, 5750, 5740		ベースピン	01
CB401	V7828300	SOCKET	16P TE TUC SERIES	450, 5750, 5740		コネクタースOCKET	01
CB402	V7826600	CN	16P TE TUC SERIES	450, 5750, 5740		コネクタープラグ	01
CB501	VM929900	CN. BS. PIN	15P	450, 5750, 5740		F P C コネクタースピ	01
CB502	VQ044900	CN. BS. PIN	19P	450, 5750, 5740		F F C コネクタースピ	01
CB503	VP682300	CN. BS. PIN	8P	450, 5750, 5740		F F C コネクタースピ	01
CB505	VQ045100	CN. BS. PIN	21P	450, 5750, 5740		F F C コネクタースピ	02
CB506	V7826300	CN	13P TE TUC SERIES	450, 5750, 5740		コネクタープラグ	
CB508	V7827000	CN	20P TE TUC SERIES	450, 5750, 5740		コネクタープラグ	01
CB510	V7825900	CN	9P TE TUC SERIES	450, 5750, 5740		コネクタープラグ	
CB511	V7826400	CN	14P TE TUC SERIES	5750, AX450		コネクタープラグ	
CB512	V7825500	CN	5P TE TUC SERIES	450, 5750, 5740	UCRTKABGLE	コネクタープラグ	01
CB601	V7828100	SOCKET	14P TE TUC SERIES	5750, AX450		コネクタースOCKET	
CB701	V7827200	SOCKET	5P TE TUC SERIES	450, 5750, 5740	UCRTKABGLE	コネクタースOCKET	
CB751	V7828300	SOCKET	16P TE TUC SERIES	450, 5750, 5740		コネクタースOCKET	01
CB901	V7827600	SOCKET	9P SE TUC SERIES	450, 5750, 5740		コネクタースOCKET	
C307	UA652220	C. MYLAR	220pF 50V	450, 5750, 5740		マイラーコン	01
C308	UA652220	C. MYLAR	220pF 50V	450, 5750, 5740		マイラーコン	01
C309	UA652220	C. MYLAR	220pF 50V	450, 5750, 5740		マイラーコン	01
C310	UA652220	C. MYLAR	220pF 50V	450, 5750, 5740		マイラーコン	01
C311	FG651470	C. CE	47pF 50V	450, 5750, 5740		セラコン	01
C312	FG651470	C. CE	47pF 50V	450, 5750, 5740		セラコン	01
C313	UR837100	C. EL	10uF 16V	450, 5750, 5740		ケミコン	01
C314	UR837100	C. EL	10uF 16V	450, 5750, 5740		ケミコン	01
C315	UR837100	C. EL	10uF 16V	450, 5750, 5740		ケミコン	01
C316	UR837100	C. EL	10uF 16V	450, 5750, 5740		ケミコン	01
C317	UR837100	C. EL	10uF 16V	450, 5750, 5740		ケミコン	01
C318	VE326300	C. MYLAR. ML	0.18uF 50V	450, 5750, 5740		積層マイラーコン	01
C319	VE326300	C. MYLAR. ML	0.18uF 50V	450, 5750, 5740		積層マイラーコン	01
C320	UA653470	C. MYLAR	4700pF 50V	450, 5750, 5740		マイラーコン	01
C321	UR837100	C. EL	10uF 16V	450, 5750, 5740		ケミコン	01
C322	UU137100	C. EL	10uF 16V	450, 5750, 5740		ケミコン	01
C323	UU137100	C. EL	10uF 16V	450, 5750, 5740		ケミコン	01
C324	UU137100	C. EL	10uF 16V	450, 5750, 5740		ケミコン	01
C325	UA655150	C. MYLAR	0.15uF 50V	450, 5750, 5740		マイラーコン	01
C326	UA655150	C. MYLAR	0.15uF 50V	450, 5750, 5740		マイラーコン	01

\* New Parts \* 新規部品(マーク#の部品は、基板に含まれません)

RX-V550/HTR-5750  
RX-V450/HTR-5740/DSP-AX450

HTR-5750

RX-V450/HTR-5740/DSP-AX450

P.C.B. FUNCTION

Schm Ref.	PART NO.	Description	Remarks	Markets	部 品 名	Rank
C327	UA653470	C. MYLAR	4700pF 50V	450, 5750, 5740	マイラーコン	01
C330	UR037100	C. EL	10uF 16V	450, 5750, 5740	ケミコン	01
C331	UR037100	C. EL	10uF 16V	450, 5750, 5740	ケミコン	01
C332	UT652100	C. PP	100pF 100V	450, 5750, 5740	PPコン	01
C333	UT652100	C. PP	100pF 100V	450, 5750, 5740	PPコン	01
C334	UU137100	C. EL	10uF 16V	450, 5750, 5740	ケミコン	01
C335	UU137100	C. EL	10uF 16V	450, 5750, 5740	ケミコン	01
C336	VG291200	C. EL	47uF 50V	450, 5750, 5740	ケミコン	01
C337	VG291200	C. EL	47uF 50V	450, 5750, 5740	ケミコン	01
C338	UR837100	C. EL	10uF 16V	450, 5750, 5740	ケミコン	01
C339	UA652100	C. MYLAR	100pF 50V	450, 5750, 5740	マイラーコン	01
C340	UR837100	C. EL	10uF 16V	450, 5750, 5740	ケミコン	01
C341	UU137100	C. EL	10uF 16V	450, 5750, 5740	ケミコン	01
C342	UR837100	C. EL	10uF 16V	450, 5750, 5740	ケミコン	01
C343	UR837100	C. EL	10uF 16V	450, 5750, 5740	ケミコン	01
C344	UR837100	C. EL	10uF 16V	450, 5750, 5740	ケミコン	01
C347	VG291200	C. EL	47uF 50V	450, 5750, 5740	ケミコン	01
C348	VG291200	C. EL	47uF 50V	450, 5750, 5740	ケミコン	01
C349	UR037470	C. EL	47uF 16V	450, 5750, 5740	ケミコン	01
C350	UR037470	C. EL	47uF 16V	450, 5750, 5740	ケミコン	01
C355	UR837100	C. EL	10uF 16V	450, 5750, 5740	ケミコン	01
C356	UR837100	C. EL	10uF 16V	450, 5750, 5740	ケミコン	01
C361	UR837100	C. EL	10uF 16V	450, 5750, 5740	ケミコン	01
C362	UR837100	C. EL	10uF 16V	450, 5750, 5740	ケミコン	01
C365	UR239100	C. EL	1000uF 16V	450, 5750, 5740	ケミコン	
C366	UR239100	C. EL	1000uF 16V	450, 5750, 5740	ケミコン	
C367	UR837100	C. EL	10uF 16V	450, 5750, 5740	ケミコン	01
C368	UR837100	C. EL	10uF 16V	450, 5750, 5740	ケミコン	01
C369	UR037100	C. EL	10uF 16V	450, 5750, 5740	ケミコン	01
C370	UR037100	C. EL	10uF 16V	450, 5750, 5740	ケミコン	01
C371	UA652100	C. MYLAR	100pF 50V	450, 5750, 5740	マイラーコン	01
C372	UA652100	C. MYLAR	100pF 50V	450, 5750, 5740	マイラーコン	01
C373	UA652680	C. MYLAR	680pF 50V	450, 5750, 5740	マイラーコン	01
C374	UA652680	C. MYLAR	680pF 50V	450, 5750, 5740	マイラーコン	01
C377	UR037470	C. EL	47uF 16V	450, 5750, 5740	ケミコン	01
C378	UR037470	C. EL	47uF 16V	450, 5750, 5740	ケミコン	01
C501	UR237470	C. EL	47uF 16V	450, 5750, 5740	ケミコン	
C502	UR837100	C. EL	10uF 16V	450, 5750, 5740	ケミコン	01
C503	UR818220	C. EL	220uF 6.3V	450, 5750, 5740	ケミコン	01
C504	WB165500	C. EL	0.33F 5.5V	450, 5750, 5740	ゴールドキャパシタ	
C505	UR818220	C. EL	220uF 6.3V	450, 5750, 5740	ケミコン	01
C506	VG287600	C. EL	100uF 25V	450, 5750, 5740	ケミコン	01
C511	UR866220	C. EL	2.2uF 50V	450, 5750, 5740	ケミコン	01
C513	UR866220	C. EL	2.2uF 50V	450, 5750, 5740	ケミコン	01
C514	UR866220	C. EL	2.2uF 50V	450, 5750, 5740	ケミコン	01
C515	UR866220	C. EL	2.2uF 50V	450, 5750, 5740	ケミコン	01
C522	UR237470	C. EL	47uF 16V	450, 5750, 5740	ケミコン	
C523	UR237470	C. EL	47uF 16V	450, 5750, 5740	ケミコン	
C524	UR237470	C. EL	47uF 16V	450, 5750, 5740	ケミコン	
C528	UR237470	C. EL	47uF 16V	450, 5740	BGE ケミコン	
C529	UR237470	C. EL	47uF 16V	450, 5740	BGE ケミコン	
C534	UR237470	C. EL	47uF 16V	450, 5740	BGE ケミコン	
C535	UR067470	C. EL	47uF 50V	450, 5750, 5740	ケミコン	

\*

\* New Parts \* 新規部品(マーク#の部品は、基板に含まれません)

RX-V550/HTR-5750  
RX-V450/HTR-5740/DSP-AX450



HTR-5750

RX-V450/HTR-5740/DSP-AX450

P.C.B. FUNCTION

Schm Ref.	PART NO.	Description	Remarks	Markets	部 品 名	Rank
C539	UR837330	C. EL 33uF 16V	450, 5750, 5740		ケミコン	01
C603	UR837100	C. EL 10uF 16V	5750, AX450		ケミコン	01
C604	UR837100	C. EL 10uF 16V	5750, AX450		ケミコン	01
C605	UR837100	C. EL 10uF 16V	5750, AX450		ケミコン	01
C608	UR837100	C. EL 10uF 16V	5750, AX450		ケミコン	01
C609	UR837100	C. EL 10uF 16V	5750, AX450		ケミコン	01
C610	UR837100	C. EL 10uF 16V	5750, AX450		ケミコン	01
C612	UR829100	C. EL 1000uF 10V	5750, AX450		ケミコン	01
C614	UR829100	C. EL 1000uF 10V	5750, AX450		ケミコン	01
C619	UR238470	C. EL 470uF 16V	5750, AX450		ケミコン	
C620	UR238100	C. EL 100uF 16V	5750, AX450		ケミコン	
C621	UR238100	C. EL 100uF 16V	5750, AX450		ケミコン	
C624	UR837100	C. EL 10uF 16V	5750, AX450		ケミコン	01
C625	UR837100	C. EL 10uF 16V	5750, AX450		ケミコン	01
C626	UA653220	C. MYLAR 2200pF 50V	5750, AX450		マイラーコン	01
C628	UR866470	C. EL 4.7uF 50V	5750, AX450		ケミコン	01
C629	UR837470	C. EL 47uF 16V	5750, AX450		ケミコン	01
C633	UR238100	C. EL 100uF 16V	5750, AX450		ケミコン	
C634	UR238100	C. EL 100uF 16V	5750, AX450		ケミコン	
C635	UR837100	C. EL 10uF 16V	5750, AX450		ケミコン	01
C637	UR238100	C. EL 100uF 16V	5750, AX450		ケミコン	
C639	UR837100	C. EL 10uF 16V	5750, AX450		ケミコン	01
C648	UR866470	C. EL 4.7uF 50V	5750, AX450		ケミコン	01
C652	UR238100	C. EL 100uF 16V	5750, AX450		ケミコン	
C653	UR818330	C. EL 330uF 6.3V	5750, AX450		ケミコン	01
C704	UR837100	C. EL 10uF 16V	450, 5750, 5740	UCRTKABGLE	ケミコン	01
C705	UR837100	C. EL 10uF 16V	450, 5750, 5740	UCRTKABGLE	ケミコン	01
C706	UR837100	C. EL 10uF 16V	450, 5750, 5740	UCRTKABGLE	ケミコン	01
C709	UR238100	C. EL 100uF 16V	450, 5750, 5740	UCRTKABGLE	ケミコン	
C710	UR238100	C. EL 100uF 16V	450, 5750, 5740	UCRTKABGLE	ケミコン	
C756	UA654100	C. MYLAR 0.01uF 50V	450, 5750, 5740		マイラーコン	01
C757	UA652220	C. MYLAR 220pF 50V	450, 5750, 5740		マイラーコン	01
C758	UA652220	C. MYLAR 220pF 50V	450, 5750, 5740		マイラーコン	01
C759	UA652220	C. MYLAR 220pF 50V	450, 5750, 5740		マイラーコン	01
C760	UA652220	C. MYLAR 220pF 50V	450, 5750, 5740		マイラーコン	01
C761	UA652220	C. MYLAR 220pF 50V	450, 5750, 5740		マイラーコン	01
C762	UA652220	C. MYLAR 220pF 50V	450, 5750, 5740		マイラーコン	01
C763	FG651470	C. CE 47pF 50V	450, 5750, 5740		セラコン	01
C764	FG651470	C. CE 47pF 50V	450, 5750, 5740		セラコン	01
C765	UR837100	C. EL 10uF 16V	450, 5750, 5740		ケミコン	01
C766	UR837100	C. EL 10uF 16V	450, 5750, 5740		ケミコン	01
C903	UR837100	C. EL 10uF 16V	450, 5750, 5740		ケミコン	01
C904	UR837100	C. EL 10uF 16V	450, 5750, 5740		ケミコン	01
C905	UR837100	C. EL 10uF 16V	450, 5750, 5740		ケミコン	01
C906	UR829100	C. EL 1000uF 10V	450, 5750, 5740		ケミコン	01
C907	UR829100	C. EL 1000uF 10V	450, 5750, 5740		ケミコン	01
C909	UR837100	C. EL 10uF 16V	450, 5750, 5740		ケミコン	01
C910	UR238470	C. EL 470uF 16V	450, 5750, 5740		ケミコン	
C911	UR837100	C. EL 10uF 16V	450, 5750, 5740		ケミコン	01
D301	VU994300	DIODE. ZENR MA8075-H 7.7V	450, 5750, 5740		ツェナーダイオード	
D302	VU994300	DIODE. ZENR MA8075-H 7.7V	450, 5750, 5740		ツェナーダイオード	
D303	VV307700	DIODE 1N4002S	450, 5750, 5740		ダイオード	01
D304	VV307700	DIODE 1N4002S	450, 5750, 5740		ダイオード	01

\* New Parts \* 新規部品(マーク#の部品は、基板に含まれません)

RX-V550/HTR-5750  
RX-V450/HTR-5740/DSP-AX450

\*

\*

HTR-5750 RX-V450/HTR-5740/DSP-AX450

P.C.B. FUNCTION

Schm Ref.	PART NO.	Description	Remarks	Markets	部 品 名	Rank	
D501	VT332900	DIODE	1SS355	450, 5750, 5740		ダイオード	01
D502	VT332900	DIODE	1SS355	450, 5750, 5740		ダイオード	01
D503	VT332900	DIODE	1SS355	450, 5750, 5740		ダイオード	01
D504	VU992600	DIODE. ZENR	MA8051-M 5.1V	450, 5750, 5740		ツェナーダイオード	01
D505	VU992600	DIODE. ZENR	MA8051-M 5.1V	450, 5750, 5740		ツェナーダイオード	01
D507	VU992600	DIODE. ZENR	MA8051-M 5.1V	450, 5750, 5740		ツェナーダイオード	01
D508	VU993000	DIODE. ZENR	MA8056-M 5.6V	450, 5750, 5740		ツェナーダイオード	01
D510	VU992600	DIODE. ZENR	MA8051-M 5.1V	450, 5750, 5740		ツェナーダイオード	01
D511	VT332900	DIODE	1SS355	450, 5750, 5740		ダイオード	01
D601	VT332900	DIODE	1SS355	5750, AX450		ダイオード	01
D602	VT332900	DIODE	1SS355	5750, AX450		ダイオード	01
D603	VT332900	DIODE	1SS355	5750, AX450		ダイオード	01
D604	VT332900	DIODE	1SS355	5750, AX450		ダイオード	01
D606	VT332900	DIODE	1SS355	5750, AX450		ダイオード	01
D607	VT332900	DIODE	1SS355	5750, AX450		ダイオード	01
D608	VT332900	DIODE	1SS355	5750, AX450		ダイオード	01
D609	VT332900	DIODE	1SS355	5750, AX450		ダイオード	01
D610	VT332900	DIODE	1SS355	5750, AX450		ダイオード	01
* IC301	X5092A00	IC	BD3816K1	450, 5750, 5740		IC	
IC303	X3505A00	IC	NJM2068MD-TE2	450, 5750, 5740		アンプ IC SOP	02
IC304	X3505A00	IC	NJM2068MD-TE2	450, 5750, 5740		アンプ IC SOP	02
IC305	XP844A00	IC	NJM4556AL	450, 5750, 5740		IC	02
IC306	X3505A00	IC	NJM2068MD-TE2	450, 5750, 5740		アンプ IC SOP	02
IC501	X5041A00	IC	NJU7201L55 5.5V	450, 5750, 5740		電源 IC SIL	02
* IC502	X5269A00	IC. CPU	M30622MWP-152FP	MASK ROM		IC CPU	
* IC503	X0082A00	IC	LC72722PM	450, 5740	BGE	IC SOP	
IC601	XH436A00	IC	LA7956	5750, AX450		IC	03
IC602	XH436A00	IC	LA7956	5750, AX450		IC	03
IC603	XY879A00	IC	TC74HC4053AF(EL)	5750, AX450		ロジック IC SOP	03
IC606	XY879A00	IC	TC74HC4053AF(EL)	5750, AX450		ロジック IC SOP	03
IC607	XW939A00	IC	TK15420M VIDEO AMP	5750, AX450		アンプ IC SOP	03
IC608	XW939A00	IC	TK15420M VIDEO AMP	5750, AX450		アンプ IC SOP	03
IC609	XD598A00	IC	TC74HCU04AFEL INV	5750, AX450		ロジック IC	01
IC701	XY879A00	IC	TC74HC4053AF(EL)	450, 5750, 5740	UCRTKABGLE	ロジック IC SOP	03
IC702	X2904A00	IC	NJM2581M VIDEO AMP	450, 5750, 5740	UCRTKABGLE	アンプ IC SOP	06
IC901	XH436A00	IC	LA7956	450, 5750, 5740		IC	03
JK601	VS867300	CN. DIN	4P YKF51-5501	5750, AX450		DINコネクタ	03
JK602	V9273500	CN. DIN	2P YKF51-5605	5750, AX450		DINコネクタ 2P	
JK603	V9273500	CN. DIN	2P YKF51-5605	5750, AX450		DINコネクタ 2P	
PJ301	V7190400	JACK. PIN	6P	450, 5750, 5740		ピンジャック	03
PJ302	V7046800	JACK. PIN	6P MSP-246V1-01N1	450, 5750, 5740		ピンジャック	
PJ701	V8143900	JACK. PIN	9P SHIELD YKC21	450, 5750, 5740	UCRTKABGLE	ピンジャック	04
PJ751	V7046700	JACK. PIN	4P MSP-244V1-01N1	450, 5750, 5740		ピンジャック	
PJ752	V7046700	JACK. PIN	4P MSP-244V1-01N1	450, 5750, 5740		ピンジャック	
PJ753	V7189700	JACK. PIN	1P	450, 5750, 5740		ピンジャック	01
PJ901	V7190000	JACK. PIN	2P	450, 5750, 5740		ピンジャック	
PJ902	V7190000	JACK. PIN	2P	450, 5750, 5740		ピンジャック	
PJ903	V7189800	JACK. PIN	1P	450, 5750, 5740		ピンジャック	01
PN301	V9637500	PIN	L=70 #18	450, 5750, 5740		スタイルピン	
Q301	VD303700	TR	2SC3326 A, B	450, 5750, 5740		トランジスタ	01
Q302	VD303700	TR	2SC3326 A, B	450, 5750, 5740		トランジスタ	01
Q303	VD303700	TR	2SC3326 A, B	450, 5750, 5740		トランジスタ	01
Q304	VD303700	TR	2SC3326 A, B	450, 5750, 5740		トランジスタ	01

\* New Parts \* 新規部品(マーク#の部品は、基板に含まれません)

RX-V550/HTR-5750  
RX-V450/HTR-5740/DSP-AX450

HTR-5750

RX-V450/HTR-5740/DSP-AX450

P.C.B. FUNCTION

Schm Ref.	PART NO.	Description	Remarks	Markets	部 品 名	Rank	
Q305	VD303700	TR	2SC3326 A, B	450, 5750, 5740		トランジスタ	01
Q306	VD303700	TR	2SC3326 A, B	450, 5750, 5740		トランジスタ	01
Q307	iC181510	TR	2SC1815 Y	450, 5750, 5740		トランジスタ	01
Q308	iA101510	TR	2SA1015 Y	450, 5750, 5740		トランジスタ	01
Q309	VD303700	TR	2SC3326 A, B	450, 5750, 5740		トランジスタ	01
Q310	VD303700	TR	2SC3326 A, B	450, 5750, 5740		トランジスタ	01
Q501	VP872600	TR	2SA1708 S, T	450, 5750, 5740		トランジスタ	01
Q502	VV556500	TR	2SA1037K Q, R, S	450, 5750, 5740		トランジスタ	01
Q504	VV556500	TR	2SA1037K Q, R, S	450, 5750, 5740		トランジスタ	01
Q505	VV556500	TR	2SA1037K Q, R, S	450, 5750, 5740		トランジスタ	01
Q506	VV556500	TR	2SA1037K Q, R, S	450, 5750, 5740		トランジスタ	01
Q507	iC181510	TR	2SC1815 Y	450, 5750, 5740		トランジスタ	01
Q508	iC174020	TR	2SC1740S R, S	450, 5740	BGE	トランジスタ	01
Q509	VV655700	TR. DGT	DTC144EKA	450, 5750, 5740		デジタルトランジスタ	01
Q601	iC174020	TR	2SC1740S R, S	5750, AX450		トランジスタ	01
Q602	iC174020	TR	2SC1740S R, S	5750, AX450		トランジスタ	01
Q603	iC174020	TR	2SC1740S R, S	5750, AX450		トランジスタ	01
Q604	iC174020	TR	2SC1740S R, S	5750, AX450		トランジスタ	01
Q605	iC174020	TR	2SC1740S R, S	5750, AX450		トランジスタ	01
Q606	iC174020	TR	2SC1740S R, S	5750, AX450		トランジスタ	01
Q607	iC174020	TR	2SC1740S R, S	5750, AX450		トランジスタ	01
Q608	iC174020	TR	2SC1740S R, S	5750, AX450		トランジスタ	01
Q610	iC174020	TR	2SC1740S R, S	5750, AX450		トランジスタ	01
Q611	iC174020	TR	2SC1740S R, S	5750, AX450		トランジスタ	01
Q612	iC174020	TR	2SC1740S R, S	5750, AX450		トランジスタ	01
Q613	iC053540	TR	2SC535 A, B, C	5750, AX450		トランジスタ	01
Q614	iA101510	TR	2SA1015 Y	5750, AX450		トランジスタ	01
Q615	iC224030	TR	2SC2240 GR, BL	5750, AX450		トランジスタ	01
Q701	VV556400	TR	2SC2412K Q, R, S	450, 5750, 5740	UCRTKABGLE	トランジスタ	01
Q753	VD303700	TR	2SC3326 A, B	450, 5750, 5740		トランジスタ	01
Q756	VD303700	TR	2SC3326 A, B	450, 5750, 5740		トランジスタ	01
Q901	iC174020	TR	2SC1740S R, S	450, 5750, 5740		トランジスタ	01
Q902	iC174020	TR	2SC1740S R, S	450, 5750, 5740		トランジスタ	01
Q903	iC174020	TR	2SC1740S R, S	450, 5750, 5740		トランジスタ	01
Q904	iC174020	TR	2SC1740S R, S	450, 5750, 5740		トランジスタ	01
R374	HV755220	R. CAR. FP	220 Ω 1/4W	450, 5750, 5740		不燃化カーボン抵抗	01
R375	HV755150	R. CAR. FP	150 Ω 1/4W	450, 5750, 5740		不燃化カーボン抵抗	01
R382	HV755100	R. CAR. FP	100 Ω 1/4W	450, 5750, 5740		不燃化カーボン抵抗	01
R383	HV755100	R. CAR. FP	100 Ω 1/4W	450, 5750, 5740		不燃化カーボン抵抗	01
R586	HV753220	R. CAR. FP	2.2 Ω 1/4W	450, 5750, 5740		不燃化カーボン抵抗	01
R615	HV755270	R. CAR. FP	270 Ω 1/4W	5750, AX450		不燃化カーボン抵抗	01
R618	HV755470	R. CAR. FP	470 Ω 1/4W	5750, AX450		不燃化カーボン抵抗	01
R619	HV755270	R. CAR. FP	270 Ω 1/4W	5750, AX450		不燃化カーボン抵抗	01
R620	HV755470	R. CAR. FP	470 Ω 1/4W	5750, AX450		不燃化カーボン抵抗	01
R629	HV753470	R. CAR. FP	4.7 Ω 1/4W	5750, AX450		不燃化カーボン抵抗	01
R657	HV755470	R. CAR. FP	470 Ω 1/4W	5750, AX450		不燃化カーボン抵抗	01
R661	HV755470	R. CAR. FP	470 Ω 1/4W	5750, AX450		不燃化カーボン抵抗	01
R663	HV755470	R. CAR. FP	470 Ω 1/4W	5750, AX450		不燃化カーボン抵抗	01
R667	HV753470	R. CAR. FP	4.7 Ω 1/4W	5750, AX450		不燃化カーボン抵抗	01
R672	HV755470	R. CAR. FP	470 Ω 1/4W	5750, AX450		不燃化カーボン抵抗	01
R675	HV754220	R. CAR. FP	22 Ω 1/4W	5750, AX450		不燃化カーボン抵抗	01
R676	HV755470	R. CAR. FP	470 Ω 1/4W	5750, AX450		不燃化カーボン抵抗	01
R716	HV753100	R. CAR. FP	1 Ω 1/4W	450, 5750, 5740	UCRTKABGLE	不燃化カーボン抵抗	01

\* New Parts \* 新規部品(マーク#の部品は、基板に含まれません)

RX-V550/HTR-5750  
RX-V450/HTR-5740/DSP-AX450

HTR-5750

RX-V450/HTR-5740/DSP-AX450

RX-V550

P.C.B. FUNCTION & P.C.B. OPERATION

Schm Ref.	PART NO.	Description	Remarks	Markets	部 品 名	Rank	
R717	HV753100	R. CAR. FP	1Ω 1/4W	450, 5750, 5740	UCRTKABGLE	不燃化カーボン抵抗	01
R908	HV755270	R. CAR. FP	270Ω 1/4W	450, 5750, 5740		不燃化カーボン抵抗	01
R910	HV755270	R. CAR. FP	270Ω 1/4W	450, 5750, 5740		不燃化カーボン抵抗	01
R916	HV754100	R. CAR. FP	10Ω 1/4W	450, 5750, 5740		不燃化カーボン抵抗	01
ST501	V4040500	SCR. TERM	M3	450, 5750, 5740		スクリュー/ターミナル	01
SW901	V3624300	SW. SLIDE	SS029-P022MJB-PA6	450, 5740	RL	スライドSW	
T601	WC716600	COIL	K5-MT	450	J	ビデオコイルパック	
T601	WC716600	COIL	K5-MT	5750	UCK	ビデオコイルパック	
T601	WC716700	COIL	K5-MT	5750	TA	ビデオコイルパック	
T602	WC716800	COIL	K5-MS	450	J	ビデオコイルパック	
T602	WC716800	COIL	K5-MS	5750	UCK	ビデオコイルパック	
T602	WC716900	COIL	K5-MS	5750	TA	ビデオコイルパック	
XL501	WA674700	RSNR. CE	16MHz CSTLS16MOX51	450, 5750, 5740		セラミック振動子	
XL502	V3930900	RSNR. CRYST	4. 332MHz	450, 5740	BGE	水晶振動子	05
	WC846500	P. C. B.	OPERATION	550	UCA	P C B オペレーション	
	WC846600	P. C. B.	OPERATION	550	RTKL	P C B オペレーション	
	WC846700	P. C. B.	OPERATION	550	BGE	P C B オペレーション	
CB801	VQ045100	CN. BS. PIN	21P	550		F F C コネクタ	02
CB803	Vi878200	CN. BS. PIN	4P	550		ケーブルホルダー	01
CB861	Vi878200	CN. BS. PIN	4P	550		ケーブルホルダー	01
CB863	LB919020	CN. BS. PIN	2P	550		ベース付ポスト	01
CB871	VB858400	CN. BS. PIN	5P	550		ベースピン	01
C808	UM397100	C. EL	10uF 16V	550		ケミコン	01
C811	UM388330	C. EL	330uF 6. 3V	550		ケミコン	01
C822	UM417100	C. EL	10uF 50V	550		ケミコン	01
C871	UA654100	C. MYLAR	0. 01uF 50V	550		マイラーコン	01
C872	UA653100	C. MYLAR	1000pF 50V	550		マイラーコン	03
C874	UA654100	C. MYLAR	0. 01uF 50V	550		マイラーコン	01
C875	UA654100	C. MYLAR	0. 01uF 50V	550		マイラーコン	01
D802	V2598200	LED	SIR-505ST	550	UCA	L E D	
D803	VU171500	DIODE. ZENR	UDZ 3. 6BTE-17 3. 6V	550		ツェナーダイオード	01
D804	VU171500	DIODE. ZENR	UDZ 3. 6BTE-17 3. 6V	550		ツェナーダイオード	01
D871	VU995000	DIODE. ZENR	MA8091-M 9. 1V	550		ツェナーダイオード	
D872	VT332900	DIODE	1SS355	550		ダイオード	01
D873	VT332900	DIODE	1SS355	550		ダイオード	01
D881	VT332900	DIODE	1SS355	550		ダイオード	01
D882	VT332900	DIODE	1SS355	550		ダイオード	01
D883	VT332900	DIODE	1SS355	550		ダイオード	01
D884	VT332900	DIODE	1SS355	550		ダイオード	01
IC801	X2874A00	IC	M66003-0101FP FLD	550		アンプIC	08
JK871	V9408200	JACK. PHONE	MSJ-064-05B GR	550		ホーンジャック	03
PJ881	V7190100	JACK. PIN	3P	550		ピンジャック	
PN801	V9637500	PIN	L=70 #18	550		スタイルピン	
PN802	V9637500	PIN	L=70 #18	550		スタイルピン	
PN871	V9637500	PIN	L=70 #18	550		スタイルピン	
PN881	V9637500	PIN	L=70 #18	550		スタイルピン	
Q801	VV556400	TR	2SC2412K Q, R, S	550		トランジスタ	01
Q802	VV556400	TR	2SC2412K Q, R, S	550		トランジスタ	01
Q803	VV556400	TR	2SC2412K Q, R, S	550		トランジスタ	01
Q804	VV556400	TR	2SC2412K Q, R, S	550		トランジスタ	01

\* New Parts \* 新規部品(マーク#の部品は、基板に含まれません)

RX-V550/HTR-5750  
RX-V450/HTR-5740/DSP-AX450

**RX-V550**    **HTR-5750**    **RX-V450/HTR-5740/DSP-AX450**

**P.C.B. OPERATION**

Schm Ref.	PART NO.	Description	Remarks	Markets	部 品 名	Rank	
Q805	VV556400	TR	2SC2412K Q, R, S	550		トランジスタ	01
Q806	VV556400	TR	2SC2412K Q, R, S	550		トランジスタ	01
ST871	V4040500	SCR. TERM	M3	550		スクリュー/ターミナル	01
ST881	WA246200	SCR. TERM	3.5	550		スクリューターミナル	
SW801	V9597100	SW. RT. ENC	EC12E2460802	550		ロータリーエンコーダ	
SW802	V9266400	SW. RT. ENC	XREB12105PVB25F	550		ロータリーエンコーダ	02
SW803	V9266400	SW. RT. ENC	XREB12105PVB25F	550		ロータリーエンコーダ	02
SW804	VV020300	SW. TACT	SKQNAA	550		タクトSW	01
SW806	VV020300	SW. TACT	SKQNAA	550		タクトSW	01
SW807	VV020300	SW. TACT	SKQNAA	550		タクトSW	01
SW808	VV020300	SW. TACT	SKQNAA	550		タクトSW	01
SW809	VV020300	SW. TACT	SKQNAA	550		タクトSW	01
SW810	VV020300	SW. TACT	SKQNAA	550		タクトSW	01
SW811	VV020300	SW. TACT	SKQNAA	550		タクトSW	01
SW812	VV020300	SW. TACT	SKQNAA	550		タクトSW	01
SW813	VV020300	SW. TACT	SKQNAA	550		タクトSW	01
SW814	VV020300	SW. TACT	SKQNAA	550		タクトSW	01
SW815	VV020300	SW. TACT	SKQNAA	550		タクトSW	01
SW816	VV020300	SW. TACT	SKQNAA	550	BGE	タクトSW	01
SW817	VV020300	SW. TACT	SKQNAA	550	BGE	タクトSW	01
SW818	VV020300	SW. TACT	SKQNAA	550	BGE	タクトSW	01
SW819	VV020300	SW. TACT	SKQNAA	550	BGE	タクトSW	01
SW820	VV020300	SW. TACT	SKQNAA	550		タクトSW	01
SW821	VV020300	SW. TACT	SKQNAA	550		タクトSW	01
SW861	VV020300	SW. TACT	SKQNAA	550		タクトSW	01
U801	V8210200	L. DTCT	GP1UD271XK	550		リモコン受光ユニット	03
* V801	WC173100	FL. DSPLY	16-BT-122GNK	550		蛍光表示管	
	V6880300	SHEET		550		シート/FL	
	V6007100	SPACER. FL	4.6/10/32	550		スペーサ FL	
* * * * *	WC846300	P. C. B.	OPERATION	450, 5750, 5740	JUCRTKAL	P C Bオペレーション	
* * * * *	WC846400	P. C. B.	OPERATION	450, 5750, 5740	BGE	P C Bオペレーション	
CB801	VQ045100	CN. BS. PIN	21P	450, 5750, 5740		FFCコネクタ	02
CB802	Vi878100	CN. BS. PIN	3P	450, 5750, 5740		ケーブルホルダー	01
CB803	Vi878400	CN. BS. PIN	6P	450, 5750, 5740		ケーブルホルダー	01
CB804	Vi878300	CN. BS. PIN	5P	450, 5750, 5740		ケーブルホルダー	01
CB861	Vi878400	CN. BS. PIN	6P	450, 5750, 5740		ケーブルホルダー	01
CB863	LB919020	CN. BS. PIN	2P	450, 5750, 5740		ベース付ポスト	01
CB866	Vi878100	CN. BS. PIN	3P	450, 5750, 5740		ケーブルホルダー	01
CB871	Vi878300	CN. BS. PIN	5P	450, 5750, 5740		ケーブルホルダー	01
C806	UM397100	C. EL	10uF 16V	450, 5750, 5740		ケミコン	01
C811	UR818330	C. EL	330uF 6.3V	450, 5750, 5740		ケミコン	01
C822	VF467000	C. CE. TUBLR	1000pF 50V	450, 5750, 5740		円筒セラコン	01
C823	VF467000	C. CE. TUBLR	1000pF 50V	450, 5750, 5740		円筒セラコン	01
C871	UA654100	C. MYLAR	0.01uF 50V	450, 5750, 5740		マイラーコン	01
C872	UA653100	C. MYLAR	1000pF 50V	450, 5750, 5740		マイラーコン	03
C874	UA654100	C. MYLAR	0.01uF 50V	450, 5750, 5740		マイラーコン	01
C875	UA654100	C. MYLAR	0.01uF 50V	450, 5750, 5740		マイラーコン	01
D801	VU171500	DIODE. ZENR	UDZ 3.6BTE-17 3.6V	450, 5750, 5740		ツェナーダイオード	01
D802	VU171500	DIODE. ZENR	UDZ 3.6BTE-17 3.6V	450, 5750, 5740		ツェナーダイオード	01
D803	VT332900	DIODE	1SS355	450, 5750, 5740		ダイオード	01

\* New Parts \* 新規部品(マーク#の部品は、基板に含まれません)

RX-V550/HTR-5750  
RX-V450/HTR-5740/DSP-AX450

HTR-5750

RX-V450/HTR-5740/DSP-AX450

P.C.B. OPERATION

Schm Ref.	PART NO.	Description	Remarks	Markets	部 品 名	Rank	
D871	VU172500	DIODE. ZENR	UDZS9. 1B	450, 5750, 5740		ツェナーダイオード	01
D872	VT332900	DIODE	1SS355	450, 5750, 5740		ダイオード	01
D873	VT332900	DIODE	1SS355	450, 5750, 5740		ダイオード	01
D881	VT332900	DIODE	1SS355	450, 5750, 5740		ダイオード	01
D882	VT332900	DIODE	1SS355	450, 5750, 5740		ダイオード	01
D883	VT332900	DIODE	1SS355	450, 5750, 5740		ダイオード	01
D884	VT332900	DIODE	1SS355	450, 5750, 5740		ダイオード	01
IC801	X2874A00	IC	M66003-0101FP FLD	450, 5750, 5740		アンプIC	08
JK871	V9408200	JACK. PHONE	MSJ-064-05B GR	450, 5750, 5740		ホーンジャック	03
PJ881	V7190100	JACK. PIN	3P	450, 5750, 5740		ピンジャック	
PN801	V9637500	PIN	L=70 #18	450, 5750, 5740		スタイルピン	
PN861	V9637500	PIN	L=70 #18	450, 5750, 5740		スタイルピン	
PN862	V9637500	PIN	L=70 #18	450, 5750, 5740		スタイルピン	
PN881	V9637500	PIN	L=70 #18	450, 5750, 5740		スタイルピン	
Q801	VV556400	TR	2SC2412K Q, R, S	450, 5750, 5740		トランジスタ	01
Q802	VV556400	TR	2SC2412K Q, R, S	450, 5750, 5740		トランジスタ	01
Q803	VV556400	TR	2SC2412K Q, R, S	450, 5750, 5740		トランジスタ	01
Q804	VV556400	TR	2SC2412K Q, R, S	450, 5750, 5740		トランジスタ	01
Q805	VV556400	TR	2SC2412K Q, R, S	450, 5750, 5740		トランジスタ	01
Q806	VV556400	TR	2SC2412K Q, R, S	450, 5750, 5740		トランジスタ	01
ST872	WA246200	SCR. TERM	3. 5	450, 5750, 5740		スクリューターミナル	
ST881	WA246200	SCR. TERM	3. 5	450, 5750, 5740		スクリューターミナル	
ST882	WA246200	SCR. TERM	3. 5	450, 5750, 5740		スクリューターミナル	
SW801	V9281300	SW. RT. ENC	EVEKD2F3024B	450, 5750, 5740		ロータリーエンコーダ	02
SW802	V9266400	SW. RT. ENC	XREB12105PVB25F	450, 5750, 5740		ロータリーエンコーダ	02
SW803	VV020300	SW. TACT	SKQNAA	450, 5750, 5740		タクトSW	01
SW804	VV020300	SW. TACT	SKQNAA	450, 5750, 5740		タクトSW	01
SW805	VV020300	SW. TACT	SKQNAA	450, 5750, 5740		タクトSW	01
SW806	VV020300	SW. TACT	SKQNAA	450, 5750, 5740		タクトSW	01
SW807	VV020300	SW. TACT	SKQNAA	450, 5750, 5740		タクトSW	01
SW808	VV020300	SW. TACT	SKQNAA	450, 5750, 5740		タクトSW	01
SW809	VV020300	SW. TACT	SKQNAA	450, 5750, 5740		タクトSW	01
SW810	VV020300	SW. TACT	SKQNAA	450, 5750, 5740		タクトSW	01
SW811	VV020300	SW. TACT	SKQNAA	450, 5750, 5740		タクトSW	01
SW812	VV020300	SW. TACT	SKQNAA	450, 5750, 5740		タクトSW	01
SW813	VV020300	SW. TACT	SKQNAA	450, 5750, 5740		タクトSW	01
SW814	VV020300	SW. TACT	SKQNAA	450, 5750, 5740		タクトSW	01
SW815	VV020300	SW. TACT	SKQNAA	450, 5750, 5740		タクトSW	01
SW816	VV020300	SW. TACT	SKQNAA	450, 5750, 5740		タクトSW	01
SW817	VV020300	SW. TACT	SKQNAA	450, 5750, 5740		タクトSW	01
SW818	VV020300	SW. TACT	SKQNAA	450, 5750, 5740	BGE	タクトSW	01
SW819	VV020300	SW. TACT	SKQNAA	450, 5750, 5740	BGE	タクトSW	01
SW820	VV020300	SW. TACT	SKQNAA	450, 5750, 5740	BGE	タクトSW	01
SW821	VV020300	SW. TACT	SKQNAA	450, 5750, 5740	BGE	タクトSW	01
SW861	VV020300	SW. TACT	SKQNAA	450, 5750, 5740		タクトSW	01
SW866	VV020300	SW. TACT	SKQNAA	450, 5750, 5740		タクトSW	01
SW867	VV020300	SW. TACT	SKQNAA	450, 5750, 5740		タクトSW	01
U801	V8210200	L. DTCT	GP1UD271XK	450, 5750, 5740		リモコン受光ユニット	03
V801	WC173100	FL. DSPLY	16-BT-122GNK	450, 5750, 5740		蛍光表示管	
	V6880300	SHEET		450, 5750, 5740		シート/F L	
	V6007100	SPACER. FL	4. 6/10/32	450, 5750, 5740		スペーサ F L	

\*

\* New Parts \* 新規部品(マーク#の部品は、基板に含まれません)

RX-V550/HTR-5750  
RX-V450/HTR-5740/DSP-AX450

P.C.B. MAIN

Schm Ref.	PART NO.	Description	Remarks	Markets	部 品 名	Rank	
*	WC838200	P. C. B.	MAIN	550, 5750	UC	P C B メイン	
*	WC838300	P. C. B.	MAIN	550, 5750	RTA	P C B メイン	
*	WC838400	P C B	MAIN	550 5750	KBGLE	P C B メイン	
*	WC838500	P. C. B.	MAIN	450	J	P C B メイン	
*	WC838600	P. C. B.	MAIN	450, 5740	UC	P C B メイン	
*	WC838700	P C B	MAIN	450 5740	RTA	P C B メイン	
*	WC838800	P. C. B.	MAIN	450, 5740	KBGLE	P C B メイン	
CB3	VP682200	CN. BS. PIN	8P			F F Cコネクター	01
CB5	Vi878600	CN. BS. PIN	8P			ケーブルホルダー	01
CB6	Vi878600	CN. BS. PIN	8P			ケーブルホルダー	01
CB121	V7825600	CN	6P TE TUC SERIES			コネクタープラグ	
CB122	VQ047400	CN. BS. PIN	19P			F F Cコネクター	01
CB123	WB127100	CN. BS. PIN	3P TE XH			ベースツキポスト	
CB127	LB932060	CN. BS. PIN	6P			ベースポスト	01
C1	V9411200	C. EL	22uF 100V			ケミコン RA-2	01
C2	UR397100	C. EL	10uF 100V			ケミコン A S F	03
C3	V8638300	C. PP	150pF 630V			P Pコン	
C4	UR337470	C. EL	47uF 16V			ケミコン A S F	03
C5	V8638300	C. PP	150pF 630V			P Pコン	
C6	V8638300	C. PP	150pF 630V			P Pコン	
C7	UR337470	C. EL	47uF 16V			ケミコン A S F	03
C8	V8638300	C. PP	150pF 630V			P Pコン	
C9	UT652150	C. PP	150pF 100V			P Pコン	01
C10	VG287500	C. EL	47uF 50V			ケミコン	01
C11	UT652150	C. PP	150pF 100V			P Pコン	01
C12	UT652150	C. PP	150pF 100V			P Pコン	01
C13	VG287500	C. EL	47uF 50V			ケミコン	01
C14	UT652150	C. PP	150pF 100V			P Pコン	01
C15	UT652150	C. PP	150pF 100V			P Pコン	01
C16	VG287500	C. EL	47uF 50V			ケミコン	01
C17	UT652150	C. PP	150pF 100V			P Pコン	01
C18	V8638300	C. PP	150pF 630V			P Pコン	
C19	UR337470	C. EL	47uF 16V			ケミコン A S F	03
C20	V8638300	C. PP	150pF 630V			P Pコン	
C23	UT654220	C. PP	0. 022uF 100V			P Pコン	01
C24	UT654220	C. PP	0. 022uF 100V			P Pコン	01
C25	UA654220	C. MYLAR	0. 022uF 50V			マイラーコン	01
C26	UA654220	C. MYLAR	0. 022uF 50V			マイラーコン	01
C27	UA654220	C. MYLAR	0. 022uF 50V			マイラーコン	01
C28	UT654220	C. PP	0. 022uF 100V			P Pコン	01
C29	UR818100	C. EL	100uF 6. 3V			ケミコン	01
C30	UR866470	C. EL	4. 7uF 50V			ケミコン	01
△ C31	UR397100	C. EL	10uF 100V			ケミコン A S F	03
△ C32	UR397100	C. EL	10uF 100V			ケミコン A S F	03
△ C120	UR857470	C. EL	47uF 35V			ケミコン	01
△ C121	UR866470	C. EL	4. 7uF 50V			ケミコン	01
* △ C122	WC910800	C. EL	10000uF 71V	550, 5750	UCRTA	ケミコン	
△ C122	WA744300	C. EL	10000uF 71V	550, 5750	KBGLE	ケミコン	08
△ C122	WB127200	C. EL	8200uF 71V	450, 5740	KBGLE	ケミコン	07
* △ C122	WC910900	C. EL	8200uF 71V	450, 5740	UCRTA	ケミコン	
* △ C123	WC910800	C. EL	10000uF 71V	550, 5750	UCRTA	ケミコン	
△ C123	WA744300	C. EL	10000uF 71V	550, 5750	KBGLE	ケミコン	08
△ C123	WB127200	C. EL	8200uF 71V	450, 5740	KBGLE	ケミコン	07

\* New Parts \* 新規部品(マーク#の部品は、基板に含まれません)

P.C.B. MAIN

Schm Ref.	PART NO.	Description	Remarks	Markets	部 品 名	Rank	
* ⚠	C123	WC910900 C. EL	8200uF 71V	450, 5740	UCRTA	ケミコン	
*	C124	UR068330 C. EL	330uF 50V			ケミコン	
	C125	VR324900 C. MYLAR	0.1uF 100V			マイラーコン	01
	C126	VR324900 C. MYLAR	0.1uF 100V			マイラーコン	01
	C128	VG291300 C. EL	100uF 50V			ケミコン	01
	C129	VG291300 C. EL	100uF 50V			ケミコン	01
	C130	UA654100 C. MYLAR	0.01uF 50V		RTKABGLE	マイラーコン	01
	C131	UA654100 C. MYLAR	0.01uF 50V		RTKABGLE	マイラーコン	01
	C132	VR324900 C. MYLAR	0.1uF 100V			マイラーコン	01
⚠	C133	VR324900 C. MYLAR	0.1uF 100V			マイラーコン	01
	C134	UA654100 C. MYLAR	0.01uF 50V		RTKABGLE	マイラーコン	01
	C135	UA654100 C. MYLAR	0.01uF 50V		RTKABGLE	マイラーコン	01
	C136	UA654100 C. MYLAR	0.01uF 50V		RTKABGLE	マイラーコン	01
	C137	UA654100 C. MYLAR	0.01uF 50V		RTKABGLE	マイラーコン	01
	C138	UA653470 C. MYLAR	4700pF 50V		RTKABGLE	マイラーコン	01
	C139	UA653470 C. MYLAR	4700pF 50V		RTKABGLE	マイラーコン	01
	C140	UA653470 C. MYLAR	4700pF 50V		RTKABGLE	マイラーコン	01
	C141	UA653470 C. MYLAR	4700pF 50V		RTKABGLE	マイラーコン	01
	C142	UA654220 C. MYLAR	0.022uF 50V			マイラーコン	01
	C143	UA654220 C. MYLAR	0.022uF 50V			マイラーコン	01
	C144	UA654220 C. MYLAR	0.022uF 50V			マイラーコン	01
	C145	UA654220 C. MYLAR	0.022uF 50V			マイラーコン	01
	C148	VR324900 C. MYLAR	0.1uF 100V			マイラーコン	01
	C149	VR324900 C. MYLAR	0.1uF 100V			マイラーコン	01
	C251	UR397100 C. EL	10uF 100V			ケミコン A S F	03
	C252	V9411200 C. EL	22uF 100V			ケミコン R A - 2	01
	C253	UU137100 C. EL	10uF 16V			ケミコン	01
	C254	UU137100 C. EL	10uF 16V			ケミコン	01
	C256	V8584600 C. PP	220pF 630V			P P コン	
	C257	UA654220 C. MYLAR	0.022uF 50V			マイラーコン	01
	C258	UA654220 C. MYLAR	0.022uF 50V			マイラーコン	01
	C259	V8584600 C. PP	220pF 630V			P P コン	
	D1	VD631600 DIODE	1SS133, 176			ダイオード	01
	D2	VD631600 DIODE	1SS133, 176			ダイオード	01
	D3	VD631600 DIODE	1SS133, 176			ダイオード	01
	D4	VD631600 DIODE	1SS133, 176			ダイオード	01
	D5	VD631600 DIODE	1SS133, 176			ダイオード	01
	D6	VD631600 DIODE	1SS133, 176			ダイオード	01
	D7	VD631600 DIODE	1SS133, 176			ダイオード	01
	D8	VD631600 DIODE	1SS133, 176			ダイオード	01
	D9	VD631600 DIODE	1SS133, 176			ダイオード	01
	D10	VD631600 DIODE	1SS133, 176			ダイオード	01
	D11	VD631600 DIODE	1SS133, 176			ダイオード	01
	D12	VD631600 DIODE	1SS133, 176			ダイオード	01
	D13	VD631600 DIODE	1SS133, 176			ダイオード	01
	D14	VD631600 DIODE	1SS133, 176			ダイオード	01
	D15	VN008700 DIODE	1SS270A			ダイオード	01
	D16	VN008700 DIODE	1SS270A			ダイオード	01
	D17	VN008700 DIODE	1SS270A			ダイオード	01
	D18	VN008700 DIODE	1SS270A			ダイオード	01
	D19	VN008700 DIODE	1SS270A			ダイオード	01
	D20	VN008700 DIODE	1SS270A			ダイオード	01
	D22	VN008700 DIODE	1SS270A			ダイオード	01

\* New Parts \* 新規部品(マーク#の部品は、基板に含まれません)

RX-V550/HTR-5750  
RX-V450/HTR-5740/DSP-AX450



P.C.B. MAIN

Schm Ref.	PART NO.	Description	Remarks	Markets	部 品 名	Rank
D23	VN008700	DIODE	1SS270A		ダイオード	01
D24	VN008700	DIODE	1SS270A		ダイオード	01
D25	VN008700	DIODE	1SS270A		ダイオード	01
D26	VN008700	DIODE	1SS270A		ダイオード	01
D27	VN008700	DIODE	1SS270A		ダイオード	01
D120	VG440300	DIODE. ZENR	MTZJ12C 12V		ツェナーダイオード	01
D121	VG440300	DIODE. ZENR	MTZJ12C 12V		ツェナーダイオード	01
D122	VG443200	DIODE. ZENR	MTZJ30A 30V		ツェナーダイオード	01
D123	VG440300	DIODE. ZENR	MTZJ12C 12V		ツェナーダイオード	01
D124	VG440300	DIODE. ZENR	MTZJ12C 12V		ツェナーダイオード	01
D125	VG440300	DIODE. ZENR	MTZJ12C 12V		ツェナーダイオード	01
D126	VG440300	DIODE. ZENR	MTZJ12C 12V		ツェナーダイオード	01
D127	VG440300	DIODE. ZENR	MTZJ12C 12V		ツェナーダイオード	01
D128	VG440300	DIODE. ZENR	MTZJ12C 12V		ツェナーダイオード	01
D129	VG440300	DIODE. ZENR	MTZJ12C 12V		ツェナーダイオード	01
D130	VG440300	DIODE. ZENR	MTZJ12C 12V		ツェナーダイオード	01
D132	VV307700	DIODE	1N4002S		ダイオード	01
▲ D133	WA653200	DIODE. BRG	TS6P03G 6.0A 200V		ダイオードブリッジ	04
D134	WA180300	DIODE	1SS244		ダイオード	01
D135	WA180300	DIODE	1SS244		ダイオード	01
D138	WA180300	DIODE	1SS244		ダイオード	01
D139	WA180300	DIODE	1SS244		ダイオード	01
▲ D141	VS997800	DIODE	1T2		ダイオード	01
▲ D142	VS997800	DIODE	1T2		ダイオード	01
▲ D143	VS997800	DIODE	1T2		ダイオード	01
▲ D144	VS997800	DIODE	1T2		ダイオード	01
D251	VD631600	DIODE	1SS133, 176		ダイオード	01
* D252	VG440700	DIODE. ZENR	MTZJ15A 15V		ツェナーダイオード	
D253	VG435500	DIODE. ZENR	MTZJ2.4B 2.4V		ツェナーダイオード	
D254	VG435500	DIODE. ZENR	MTZJ2.4B 2.4V		ツェナーダイオード	
G122	V5995800	PLATE. GND			アースプレート	
IC1	V8100500	PHOT. CPL	TLP421 GR		フォトカブラ	01
IC2	V8100500	PHOT. CPL	TLP421 GR		フォトカブラ	01
IC3	V8100500	PHOT. CPL	TLP421 GR		フォトカブラ	01
IC4	V8100500	PHOT. CPL	TLP421 GR		フォトカブラ	01
PN1	V9637500	PIN	L=70 #18		スタイルピン	
PN2	V9637500	PIN	L=70 #18		スタイルピン	
PN3	V9637500	PIN	L=70 #18		スタイルピン	
▲ Q1	VC614000	TR	2SB1274 Q, R, S		トランジスタ	02
Q2	VP883000	TR	2SA893A D, E		トランジスタ	01
▲ Q3	VK432900	TR	2SD1915F S, T		トランジスタ	01
Q4	VR325600	TR	2SC2229 O, Y		トランジスタ	01
▲ Q5	VK432900	TR	2SD1915F S, T		トランジスタ	01
Q6	VR325600	TR	2SC2229 O, Y		トランジスタ	01
▲ Q7	VK432900	TR	2SD1915F S, T		トランジスタ	01
▲ Q8	VK432900	TR	2SD1915F S, T		トランジスタ	01
Q9	VR325600	TR	2SC2229 O, Y		トランジスタ	01
▲ Q10	VK432900	TR	2SD1915F S, T		トランジスタ	01
Q11	VR325600	TR	2SC2229 O, Y		トランジスタ	01
▲ Q12	VK432900	TR	2SD1915F S, T		トランジスタ	01
Q13	VR325600	TR	2SC2229 O, Y		トランジスタ	01
▲ Q14	VP883000	TR	2SA893A D, E		トランジスタ	01
▲ Q15	VR325600	TR	2SC2229 O, Y		トランジスタ	01

\* New Parts \* 新規部品(マーク#の部品は、基板に含まれません)

RX-V550/HTR-5750  
RX-V450/HTR-5740/DSP-AX450

P.C.B. MAIN

Schm Ref.	PART NO.	Description	Remarks	Markets	部 品 名	Rank
⚠	Q16A	iX630850 TR	2SA1695 O,P,Y		トランジスタ	04
⚠	Q16C	iX630860 TR	2SC4468 O,P,Y		トランジスタ	04
⚠	Q18A	iX630850 TR	2SA1695 O,P,Y		トランジスタ	04
⚠	Q18C	iX630860 TR	2SC4468 O,P,Y		トランジスタ	04
⚠	Q20A	iX630850 TR	2SA1695 O,P,Y		トランジスタ	04
⚠	Q20C	iX630860 TR	2SC4468 O,P,Y		トランジスタ	04
⚠	Q22A	iX630850 TR	2SA1695 O,P,Y		トランジスタ	04
⚠	Q22C	iX630860 TR	2SC4468 O,P,Y		トランジスタ	04
⚠	Q24A	iX630850 TR	2SA1695 O,P,Y		トランジスタ	04
⚠	Q24C	iX630860 TR	2SC4468 O,P,Y		トランジスタ	04
⚠	Q26A	iX630850 TR	2SA1695 O,P,Y		トランジスタ	04
⚠	Q26C	iX630860 TR	2SC4468 O,P,Y		トランジスタ	04
*	Q28	WC398400 TR	2SC2N5551C-AT		トランジスタ	
*	Q29	WC398400 TR	2SC2N5551C-AT		トランジスタ	
*	Q30	WC398400 TR	2SC2N5551C-AT		トランジスタ	
*	Q31	WC398400 TR	2SC2N5551C-AT		トランジスタ	
*	Q32	WC398400 TR	2SC2N5551C-AT		トランジスタ	
*	Q33	WC398400 TR	2SC2N5551C-AT		トランジスタ	
*	Q34	WC397700 TR	2SA2N5401C-AT		トランジスタ	
	Q35	iC181510 TR	2SC1815 Y		トランジスタ	01
⚠	Q120	iA101510 TR	2SA1015 Y		トランジスタ	01
	Q121	iC181510 TR	2SC1815 Y		トランジスタ	01
	Q123	iC181510 TR	2SC1815 Y		トランジスタ	01
⚠	Q125	iC181510 TR	2SC1815 Y		トランジスタ	01
	Q126	iC181510 TR	2SC1815 Y		トランジスタ	01
	Q127	VP883100 TR	2SC1890A D,E		トランジスタ	01
	Q128	VP872700 TR	2SC4488 S,T		トランジスタ	01
	Q129	VP872700 TR	2SC4488 S,T		トランジスタ	01
	Q130	VP872700 TR	2SC4488 S,T		トランジスタ	01
	Q131	VP872700 TR	2SC4488 S,T		トランジスタ	01
	Q251	VP883100 TR	2SC1890A D,E		トランジスタ	01
	Q252	VR510800 TR	2SD2396 J,K		トランジスタ	02
	Q253	VP872600 TR	2SA1708 S,T		トランジスタ	01
	Q256	V4096100 TR	2SC4614 S,T		トランジスタ	02
	Q257	V4096100 TR	2SC4614 S,T		トランジスタ	02
	Q258	V4096100 TR	2SC4614 S,T		トランジスタ	02
⚠	Q259	V4096100 TR	2SC4614 S,T		トランジスタ	02
	Q260	V4096100 TR	2SC4614 S,T		トランジスタ	02
	Q261	V4096100 TR	2SC4614 S,T		トランジスタ	02
	Q262	V4096000 TR	2SA1770 S,T		トランジスタ	03
	Q263	V4096000 TR	2SA1770 S,T		トランジスタ	03
⚠	Q264	V4096000 TR	2SA1770 S,T		トランジスタ	03
⚠	Q265	V4096000 TR	2SA1770 S,T		トランジスタ	03
	Q266	V4096000 TR	2SA1770 S,T		トランジスタ	03
	Q267	V4096000 TR	2SA1770 S,T		トランジスタ	03
	R10	HL006270 R. MTL. OXD	2.7KΩ 1/2W		酸化金属被膜抵抗	
	R11	HL005470 R. MTL. OXD	470Ω 1/2W		酸化金属被膜抵抗	
	R12	HL005820 R. MTL. OXD	820Ω 1/2W		酸化金属被膜抵抗	
	R13	HV755100 R. CAR. FP	100Ω 1/4W		不燃化カーボン抵抗	01
	R14	HL006270 R. MTL. OXD	2.7KΩ 1/2W		酸化金属被膜抵抗	
	R15	HL005470 R. MTL. OXD	470Ω 1/2W		酸化金属被膜抵抗	
	R16	HL005820 R. MTL. OXD	820Ω 1/2W		酸化金属被膜抵抗	
	R17	HV755100 R. CAR. FP	100Ω 1/4W		不燃化カーボン抵抗	01

\* New Parts \* 新規部品(マーク#の部品は、基板に含まれません)

P.C.B. MAIN

RX-V550/HTR-5750  
RX-V450/HTR-5740/DSP-AX450

Schm Ref.	PART NO.	Description	Remarks	Markets	部 品 名	Rank	
R18	HL006270	R. MTL. OXD	2.7KΩ	1/2W		酸化金属被膜抵抗	
R19	HL005470	R. MTL. OXD	470Ω	1/2W		酸化金属被膜抵抗	
R20	HL005820	R. MTL. OXD	820Ω	1/2W		酸化金属被膜抵抗	
R21	HL006270	R. MTL. OXD	2.7KΩ	1/2W		酸化金属被膜抵抗	
R22	HL005470	R. MTL. OXD	470Ω	1/2W		酸化金属被膜抵抗	
R23	HL005820	R. MTL. OXD	820Ω	1/2W		酸化金属被膜抵抗	
R24	HV755100	R. CAR. FP	100Ω	1/4W		不燃化カーボン抵抗	01
R25	HL006270	R. MTL. OXD	2.7KΩ	1/2W		酸化金属被膜抵抗	
R26	HL005470	R. MTL. OXD	470Ω	1/2W		酸化金属被膜抵抗	
R27	HL005820	R. MTL. OXD	820Ω	1/2W		酸化金属被膜抵抗	
R28	HV755100	R. CAR. FP	100Ω	1/4W		不燃化カーボン抵抗	01
R29	HL006270	R. MTL. OXD	2.7KΩ	1/2W		酸化金属被膜抵抗	
R30	HL005470	R. MTL. OXD	470Ω	1/2W		酸化金属被膜抵抗	
R31	HL005820	R. MTL. OXD	820Ω	1/2W		酸化金属被膜抵抗	
R32	HV755100	R. CAR. FP	100Ω	1/4W		不燃化カーボン抵抗	01
R34	HL006100	R. MTL. OXD	1KΩ	1/2W		酸化金属被膜抵抗	
R35	HL006100	R. MTL. OXD	1KΩ	1/2W		酸化金属被膜抵抗	
R36	HL006100	R. MTL. OXD	1KΩ	1/2W		酸化金属被膜抵抗	
R37	HL006100	R. MTL. OXD	1KΩ	1/2W		酸化金属被膜抵抗	
R38	HL006100	R. MTL. OXD	1KΩ	1/2W		酸化金属被膜抵抗	
R39	HL006100	R. MTL. OXD	1KΩ	1/2W		酸化金属被膜抵抗	
R40	HV755100	R. CAR. FP	100Ω	1/4W		不燃化カーボン抵抗	01
△ R41	HV754100	R. CAR. FP	10Ω	1/4W		不燃化カーボン抵抗	01
△ R45	V3873200	R. WW	0.22Ω	3W		セメント抵抗	02
△ R46	V3873200	R. WW	0.22Ω	3W		セメント抵抗	02
△ R47	WB279900	R. WW	RGC55C	0.22+0.22		セメント抵抗	
△ R48	WB279900	R. WW	RGC55C	0.22+0.22		セメント抵抗	
△ R49	WB279900	R. WW	RGC55C	0.22+0.22		セメント抵抗	
△ R50	V3873200	R. WW	0.22Ω	3W		セメント抵抗	02
* △ R71	WC860900	R. MTL. FLM	10Ω	1W		金属被膜抵抗	
* △ R72	WC860900	R. MTL. FLM	10Ω	1W		金属被膜抵抗	
△ R73	VP939800	R. MTL. OXD	10Ω	1W		酸化金属被膜抵抗	01
△ R74	VP939800	R. MTL. OXD	10Ω	1W		酸化金属被膜抵抗	01
△ R75	VP939800	R. MTL. OXD	10Ω	1W		酸化金属被膜抵抗	01
* △ R76	WC860900	R. MTL. FLM	10Ω	1W		金属被膜抵抗	
△ R108	HV753100	R. CAR. FP	1Ω	1/4W		不燃化カーボン抵抗	01
R123	V8071300	R. MTL. FLM	470Ω	1W		金属被膜抵抗	
R124	V8071300	R. MTL. FLM	470Ω	1W		金属被膜抵抗	
△ R125	HV755100	R. CAR. FP	100Ω	1/4W		不燃化カーボン抵抗	01
△ R126	HV756100	R. CAR. FP	1KΩ	1/4W		不燃化カーボン抵抗	01
* R130	V8071600	R. MTL. OXD	1KΩ	1W		金属被膜抵抗	
R136	V8071300	R. MTL. FLM	470Ω	1W		金属被膜抵抗	
* R139	WC862900	R. MTL. FLM	470Ω	1W		金属被膜抵抗	
R140	HV754220	R. CAR. FP	22Ω	1/4W		不燃化カーボン抵抗	01
R141	HV754220	R. CAR. FP	22Ω	1/4W		不燃化カーボン抵抗	01
R142	HV754220	R. CAR. FP	22Ω	1/4W		不燃化カーボン抵抗	01
R143	HV754220	R. CAR. FP	22Ω	1/4W		不燃化カーボン抵抗	01
R147	HV756220	R. CAR. FP	2.2KΩ	1/4W		不燃化カーボン抵抗	01
R148	HV756220	R. CAR. FP	2.2KΩ	1/4W		不燃化カーボン抵抗	01
R168	HV753470	R. CAR. FP	4.7Ω	1/4W		不燃化カーボン抵抗	01
R169	HV753470	R. CAR. FP	4.7Ω	1/4W		不燃化カーボン抵抗	01
△ R170	HV753100	R. CAR. FP	1Ω	1/4W		不燃化カーボン抵抗	01
△ R171	HV753100	R. CAR. FP	1Ω	1/4W		不燃化カーボン抵抗	01

\* New Parts \* 新規部品(マーク#の部品は、基板に含まれません)

P.C.B. MAIN

Schm Ref.	PART NO.	Description	Remarks	Markets	部 品 名	Rank
R172	HV753470	R. CAR. FP 4.7Ω 1/4W			不燃化カーボン抵抗	01
R173	HV753470	R. CAR. FP 4.7Ω 1/4W			不燃化カーボン抵抗	01
R251	HV756470	R. CAR. FP 4.7KΩ 1/4W			不燃化カーボン抵抗	01
R253	HV754100	R. CAR. FP 10Ω 1/4W			不燃化カーボン抵抗	01
R256	HV756100	R. CAR. FP 1KΩ 1/4W			不燃化カーボン抵抗	01
R264	HV754100	R. CAR. FP 10Ω 1/4W			不燃化カーボン抵抗	01
R265	HV754100	R. CAR. FP 10Ω 1/4W			不燃化カーボン抵抗	01
R266	VP939700	R. MTL. FLM 4.7Ω 1W			金属被膜抵抗	01
R267	VP939700	R. MTL. FLM 4.7Ω 1W			金属被膜抵抗	01
R268	VP939700	R. MTL. FLM 4.7Ω 1W			金属被膜抵抗	01
R269	VP939700	R. MTL. FLM 4.7Ω 1W			金属被膜抵抗	01
R270	VP939700	R. MTL. FLM 4.7Ω 1W			金属被膜抵抗	01
R271	VP939700	R. MTL. FLM 4.7Ω 1W			金属被膜抵抗	01
R272	VP939700	R. MTL. FLM 4.7Ω 1W			金属被膜抵抗	01
R273	VP939700	R. MTL. FLM 4.7Ω 1W			金属被膜抵抗	01
R274	VP939700	R. MTL. FLM 4.7Ω 1W			金属被膜抵抗	01
R275	VP939700	R. MTL. FLM 4.7Ω 1W			金属被膜抵抗	01
R276	VP939700	R. MTL. FLM 4.7Ω 1W			金属被膜抵抗	01
R277	VP939700	R. MTL. FLM 4.7Ω 1W			金属被膜抵抗	01
R278	V8070900	R. MTL. FLM 100Ω 1W			金属被膜抵抗	01
R279	V8070900	R. MTL. FLM 100Ω 1W			金属被膜抵抗	01
R280	V8070900	R. MTL. FLM 100Ω 1W			金属被膜抵抗	01
R281	V8070900	R. MTL. FLM 100Ω 1W			金属被膜抵抗	01
R282	V8070900	R. MTL. FLM 100Ω 1W			金属被膜抵抗	01
R283	V8070900	R. MTL. FLM 100Ω 1W			金属被膜抵抗	01
R284	VP939700	R. MTL. FLM 4.7Ω 1W			金属被膜抵抗	01
R291	HV753470	R. CAR. FP 4.7Ω 1/4W			不燃化カーボン抵抗	01
R292	HV753470	R. CAR. FP 4.7Ω 1/4W			不燃化カーボン抵抗	01
R293	V8070200	R. MTL. FLM 4.7Ω 1W			金属被膜抵抗	01
R294	V8070900	R. MTL. FLM 100Ω 1W			金属被膜抵抗	01
R295	V8070900	R. MTL. FLM 100Ω 1W			金属被膜抵抗	01
R296	V8070900	R. MTL. FLM 100Ω 1W			金属被膜抵抗	01
R297	V8070900	R. MTL. FLM 100Ω 1W			金属被膜抵抗	01
R298	V8070900	R. MTL. FLM 100Ω 1W			金属被膜抵抗	01
R299	V8070900	R. MTL. FLM 100Ω 1W			金属被膜抵抗	01
RY121	V5966300	RELAY DS24D2-0S(M)			リレー 24V	05
RY122	V5966300	RELAY DS24D2-0S(M)			リレー 24V	05
RY123	V5178900	RELAY DC DQ24D1-0S(M)			リレー 24V	05
RY124	V5966300	RELAY DS24D2-0S(M)			リレー 24V	05
RY125	V5966300	RELAY DS24D2-0S(M)			リレー 24V	05
* ⚠ SR121	WC319200	THYRISTOR SLA0201 5.00A			サイリスタ	
ST121	V4040500	SCR. TERM M3			スクリュエ/ターミナル	01
* SW1	V3624300	SW. SLIDE SS029-P022MJB-PA6		UCRTKABGLE	スライドSW	
* TE120	WC631900	TERM. SP LTS0810-1017FM		JUCRTA	スピーカターミナル	
* TE120	WC631800	TERM. SP LTS0810-1018FM		KBGLE	スピーカターミナル	
* TE121	WC631900	TERM. SP LTS0810-1017FM		JUCRTA	スピーカターミナル	
* TE121	WC631800	TERM. SP LTS0810-1018FM		KBGLE	スピーカターミナル	
	EP600140	SCR. BND. HD 3x10 MFZN2BL			バインドBタイトネジ	01

\* New Parts \* 新規部品(マーク#の部品は、基板に含まれません)

P.C.B. POWER

Schm Ref.	PART NO.	Description	Remarks	Markets	部 品 名	Rank	
*	WC839400	P. C. B.	POWER	550, 5750	UCTK	P C B 集 成 パワー	
*	WC839500	P. C. B.	POWER	550, 5750	R	P C B 集 成 パワー	
*	WC839600	P. C. B.	POWER	550, 5750	ABGE	P C B 集 成 パワー	
*	WD072800	P. C. B.	POWER	550, 5750	L	P C B 集 成 パワー	
*	WC839700	P. C. B.	POWER	450, 5740	JUCTK	P C B 集 成 パワー	
*	WC839800	P. C. B.	POWER	450	R	P C B 集 成 パワー	
*	WC839900	P. C. B.	POWER	450, 5740	ABGE	P C B 集 成 パワー	
*	WD072900	P. C. B.	POWER	450	L	P C B 集 成 パワー	
*	CB291	V9377800	CN. BS. PIN	3P SE VH SERIES	RL	ベース付ポスト	
*	CB292	V9377900	CN. BS. PIN	4P SE VH SERIES	RL	ベース付ポスト	
*	CB293	WC050700	HOLDER. FUS	EYF-52BCY	RL	ヒューズホルダー	
*	CB294	WC050700	HOLDER. FUS	EYF-52BCY	RL	ヒューズホルダー	
*	CB351	VM923600	CN. BS. PIN	13P		FFCコネクター	01
*	CB352	VK026700	CN. BS. PIN	8P		ワイヤートラップ	01
*	CB353	VB858600	CN. BS. PIN	7P		ベースピン	01
*	CB354	LB919070	CN. BS. PIN	7P		ベース付ポスト	01
*	CB355	LB918030	CN. BS. PIN	3P		ベース付ポスト	01
*	CB358	Vi878500	CN. BS. PIN	7P		ケーブルホルダー	01
*	CB359	VK026700	CN. BS. PIN	8P		ワイヤートラップ	01
*	C301	UU137100	C. EL	10uF 16V		ケミコン	01
*	C302	UR837100	C. EL	10uF 16V		ケミコン	01
*	C303	UU137100	C. EL	10uF 16V		ケミコン	01
*	C304	UU137100	C. EL	10uF 16V		ケミコン	01
*	C305	UR837100	C. EL	10uF 16V		ケミコン	01
*	C306	UT652100	C. PP	100pF 100V		PPコン	01
*	C307	UT652220	C. PP	220pF 100V		PPコン	01
*	C308	UT652100	C. PP	100pF 100V		PPコン	01
*	C309	UT652220	C. PP	220pF 100V		PPコン	01
*	C310	UA652100	C. MYLAR	100pF 50V		マイラーコン	01
*	C311	UA652220	C. MYLAR	220pF 50V		マイラーコン	01
*	C312	UA652100	C. MYLAR	100pF 50V		マイラーコン	01
*	C313	UA652220	C. MYLAR	220pF 50V		マイラーコン	01
*	C314	UT652100	C. PP	100pF 100V		PPコン	01
*	C315	UT652220	C. PP	220pF 100V		PPコン	01
*	C316	UT653330	C. PP	3300pF 100V		PPコン	03
*	C317	UT653330	C. PP	3300pF 100V		PPコン	03
*	C318	UA653330	C. MYLAR	3300pF 50V		マイラーコン	01
*	C319	UA653330	C. MYLAR	3300pF 50V		マイラーコン	01
*	C320	UT653330	C. PP	3300pF 100V		PPコン	03
*	C321	VG291300	C. EL	100uF 50V		ケミコン	01
*	C322	VG291300	C. EL	100uF 50V		ケミコン	01
*	C323	UR837470	C. EL	47uF 16V		ケミコン	01
*	C324	UR837470	C. EL	47uF 16V		ケミコン	01
*	C325	VG291200	C. EL	47uF 50V		ケミコン	01
*	C326	WA970300	C. CE	22pF 500V		セラコン (CH)	
*	C327	FU451220	C. MICA	22pF 500V		マイカコン	01
*	C328	FU451220	C. MICA	22pF 500V		マイカコン	01
*	C329	WA970300	C. CE	22pF 500V		セラコン (CH)	
*	C330	FU451220	C. MICA	22pF 500V		マイカコン	01
*	C331	VJ599100	C. CE. TUBLR	0.1uF 50V		円筒セラコン	01
*	C332	UR337470	C. EL	47uF 16V		ケミコン A S F	03
*	C333	UR337470	C. EL	47uF 16V		ケミコン A S F	03
*	C337	UR837100	C. EL	10uF 16V		ケミコン	01

\* New Parts \* 新規部品(マーク#の部品は、基板に含まれません)

P.C.B. POWER

Schm Ref.	PART NO.	Description	Remarks	Markets	部 品 名	Rank
C340	UA652100	C. MYLAR	100pF 50V		マイラーコン	01
C341	UA652220	C. MYLAR	220pF 50V		マイラーコン	01
C342	UU138100	C. EL	100uF 16V		ケミコン	01
C343	UU138100	C. EL	100uF 16V		ケミコン	01
C346	UA653330	C. MYLAR	3300pF 50V		マイラーコン	01
C347	UR837470	C. EL	47uF 16V		ケミコン	01
* C349	WA970300	C. CE	22pF 500V		セラコン (CH)	
C350	UU138100	C. EL	100uF 16V		ケミコン	01
C353	UR03A100	C. EL	10000uF 16V		ケミコン	
C357	UR03A100	C. EL	10000uF 16V		ケミコン	
C358	UR03A100	C. EL	10000uF 16V		ケミコン	
C359	UR03A100	C. EL	10000uF 16V		ケミコン	
C360	UR049680	C. EL	6800uF 25V	550, 5750	ケミコン	
* C360	UR049470	C. EL	4700uF 25V	450, 5740	ケミコン	
* C361	UR149220	C. EL	2200uF 25V		ケミコン	
C365	VR324700	C. MYLAR	0.022uF 100V		マイラーコン	
C366	VR324700	C. MYLAR	0.022uF 100V		マイラーコン	
C367	VR324900	C. MYLAR	0.1uF 100V		マイラーコン	01
C368	VR324900	C. MYLAR	0.1uF 100V		マイラーコン	01
C370	V8584600	C. PP	220pF 630V		PPコン	
C371	UU138100	C. EL	100uF 16V		ケミコン	01
D301	VD631600	DIODE	1SS133, 176		ダイオード	01
D302	VD631600	DIODE	1SS133, 176		ダイオード	01
⚠ D312	WA653100	DIODE. BRG	KBP103G 1.0A 200V		ダイオードブリッジ	02
⚠ D313	WA653100	DIODE. BRG	KBP103G 1.0A 200V		ダイオードブリッジ	02
⚠ F3	KB000790	FUSE	T4A 250V		ヒューズ	01
IC301	X0515A00	IC	LM61CIZ THERMAL		電源IC	
⚠ IC302	XJ608A00	IC	NJM7812FA		IC	02
⚠ IC303	XD343A00	IC	NJM79M12FA		IC	03
⚠ IC304	XJ607A00	IC	NJM7805FA 5V		IC	02
⚠ IC305	XE436A00	IC	NJM79M05FA		IC	03
⚠ IC306	XJ607A00	IC	NJM7805FA 5V		IC	02
PN301	V9637500	PIN	L=70 #18		スタイルピン	
PN302	V9637500	PIN	L=70 #18		スタイルピン	
PN304	V9637500	PIN	L=70 #18		スタイルピン	
PN305	V9637500	PIN	L=70 #18		スタイルピン	
Q301	VP883100	TR	2SC1890A D, E		トランジスタ	01
Q302	VP883100	TR	2SC1890A D, E		トランジスタ	01
Q303	VP883100	TR	2SC1890A D, E		トランジスタ	01
Q304	VP883100	TR	2SC1890A D, E		トランジスタ	01
Q305	VP883100	TR	2SC1890A D, E		トランジスタ	01
Q306	VP883100	TR	2SC1890A D, E		トランジスタ	01
Q307	VP883100	TR	2SC1890A D, E		トランジスタ	01
Q308	VP883100	TR	2SC1890A D, E		トランジスタ	01
Q309	VP883100	TR	2SC1890A D, E		トランジスタ	01
Q310	VP883100	TR	2SC1890A D, E		トランジスタ	01
Q311	V3966800	TR	2SB949 0, Y		トランジスタ	02
Q312	V3966800	TR	2SB949 0, Y		トランジスタ	02
Q313	V3966800	TR	2SB949 0, Y		トランジスタ	02
Q314	V3966800	TR	2SB949 0, Y		トランジスタ	02
Q315	V3966800	TR	2SB949 0, Y		トランジスタ	02
Q323	VP883100	TR	2SC1890A D, E		トランジスタ	01
Q325	VP883100	TR	2SC1890A D, E		トランジスタ	01

\* New Parts \* 新規部品(マーク#の部品は、基板に含まれません)

P.C.B. POWER & P.C.B. SUBTRANS

Schm Ref.	PART NO.	Description	Remarks	Markets	部 品 名	Rank
Q327	V3966800	TR	2SB949 0, Y		トランジスタ	02
R346	HV755100	R. CAR. FP	100Ω 1/4W		不燃化カーボン抵抗	01
R347	HV755100	R. CAR. FP	100Ω 1/4W		不燃化カーボン抵抗	01
R348	HV755100	R. CAR. FP	100Ω 1/4W		不燃化カーボン抵抗	01
R349	HV755100	R. CAR. FP	100Ω 1/4W		不燃化カーボン抵抗	01
R350	HV755100	R. CAR. FP	100Ω 1/4W		不燃化カーボン抵抗	01
R386	HV755100	R. CAR. FP	100Ω 1/4W		不燃化カーボン抵抗	01
* ⚠ SW291	WB493700	VOLT. SELCT	R8140246	R	電圧切替器	
* ⚠ SW291	WD073700	VOLT. SELCT	R8140254	L	電圧切替器	
* * * * *	WC840800	P. C. B.	SUBTRANS	J	P C B サブトランス	
	WC840900	P. C. B.	SUBTRANS	UC	P C B サブトランス	
	WC841000	P. C. B.	SUBTRANS	R	P C B サブトランス	
	WC841100	P. C. B.	SUBTRANS	TK	P C B サブトランス	
	WC841200	P. C. B.	SUBTRANS	A	P C B サブトランス	
	WC841300	P. C. B.	SUBTRANS	B	P C B サブトランス	
	WC841400	P. C. B.	SUBTRANS	GE	P C B サブトランス	
	WC841500	P. C. B.	SUBTRANS	L	P C B サブトランス	
⚠ CB401	V7827300	SOCKET	6P TE TUC SERIES		コネクタソケット	
⚠ CB402	VG879900	CN. BS. PIN	2P		ベースピン	01
⚠ CB403	VP206500	HOLDER. FUS	EYF-52BCT	UCGE	ヒューズホルダー	01
⚠ CB404	VP206500	HOLDER. FUS	EYF-52BCT	UCGE	ヒューズホルダー	01
⚠ CB405	VP206500	HOLDER. FUS	EYF-52BCT		ヒューズホルダー	01
⚠ CB406	VP206500	HOLDER. FUS	EYF-52BCT		ヒューズホルダー	01
⚠ CB407	VG879900	CN. BS. PIN	2P		ベースピン	01
C402	UR866220	C. EL	2.2uF 50V		ケミコン	01
C403	UR866220	C. EL	2.2uF 50V		ケミコン	01
C404	UA654100	C. MYLAR	0.01uF 50V		マイラーコン	01
C405	WB687100	C. POL. MTL	0.047uF 400V	JUC	メタライズドポリコン	01
C405	WC041600	C. PP	0.022uF 630V	RTKABGLE	P P コン	01
C406	UR866100	C. EL	1uF 50V		ケミコン	01
C407	UA653470	C. MYLAR	4700pF 50V		マイラーコン	01
C408	UA654100	C. MYLAR	0.01uF 50V		マイラーコン	01
* C409	WB696300	C. POL. MTL	0.1uF 400V	JUC	メタライズドポリコン	
	WD257600	C. PP	0.047uF 800V	RTKABGLE	P P コン	
C410	V6185300	C. CE. SAFTY	0.01uF 275V		規格認定コン	
* C411	VG288200	C. EL	3300uF 16V	JUCTKABGE	ケミコン	03
* C411	WD047300	C. EL	3300uF 50V	RL	ケミコン K M Q	
	VL884600	C. PP	0.01uF 100V		P P コン	
D401	VD631600	DIODE	1SS133, 176		ダイオード	01
D402	VD631600	DIODE	1SS133, 176		ダイオード	01
D403	VG435800	DIODE. ZENR	MTZJ3.0A 3.0V		ツェナーダイオード	01
D404	VG438300	DIODE. ZENR	MTZJ6.8B 6.8V		ツェナーダイオード	01
D405	VG439500	DIODE. ZENR	MTZJ10B 10V		ツェナーダイオード	01
D406	VD631600	DIODE	1SS133, 176		ダイオード	01
D407	VG439200	DIODE. ZENR	MTZJ9.1B 9.1V		ツェナーダイオード	01
⚠ D408	V4756800	DIODE	S1NB60 1.0A 600V		D i スタック	01
D409	VD631600	DIODE	1SS133, 176		ダイオード	01
D410	VR253700	DIODE. BRG	S1NB20 1A 200V		D I ブリッジ X 4	02
D411	VD631600	DIODE	1SS133, 176		ダイオード	01
⚠ F1	VS823300	FUSE	T8A 125V	JUCRL	ヒューズ	02

\* New Parts \* 新規部品(マーク#の部品は、基板に含まれません)

RX-V550/HTR-5750  
RX-V450/HTR-5740/DSP-AX450

RX-V550

HTR-5750

RX-V450/HTR-5740/DSP-AX450

DSP-AX450

P.C.B. SUBTRANS & P.C.B. VIDEO

Schm Ref.	PART NO.	Description	Remarks	Markets	部 品 名	Rank
⚠ F1	KB000790	FUSE	T4A 250V		TKABGE ヒューズ	01
⚠ F2	VS823300	FUSE	T8A 125V		UC ヒューズ	02
⚠ F2	VT942900	FUSE	T2.5A 250V		GE ヒューズ	01
	IC401	PHOT. CPL	TLP421 GR		フォトカブラ	01
	IC402	IC	TC4013BP FF		ロジック IC	05
	IC403	PHOT. CPL	TLP421 GR		フォトカブラ	01
	PN401	PIN	L=70 #18		スタイルピン	
	Q401	TR	2SC1815 Y		トランジスタ	01
	Q402	TR. DGT	DTC144ES		デジタルトランジスタ	01
	Q403	TR	2SC1815 Y		トランジスタ	01
* ⚠	Q404	FET	2SK3491		F E T	
	R410	R. CAR.	2.2MΩ 1/2W	UC	放電抵抗	01
⚠	RY401	RELAY	DC SDT-S-112LMR	JRTKABGLE	リレー 12V	05
⚠	RY401	RELAY	DC DLS12D1-0(M)	UC	リレー 12V TV-8	03
	ST401	SCR. TERM	M3		スクリュー/ターミナル	01
	ST402	SCR. TERM	M3		スクリュー/ターミナル	01
	T401	TRANS. PWR		J	電源トランス	04
* ⚠	T401	TRANS. PWR		UC	電源トランス	
* ⚠	T401	TRANS. PWR		RL	電源トランス	
* ⚠	T401	TRANS. PWR		TKABGE	電源トランス	
⚠	TE401	OUTLET. AC	2P	JUC	A C アウトレット	03
⚠	TE401	OUTLET. AC	2P AC-182-GB-11V	RTK	A C アウトレット 2 P	
⚠	TE401	OUTLET. AC	1P	A	A C アウトレット	06
⚠	TE401	OUTLET. AC	1P	B	A C アウトレット	05
⚠	TE401	OUTLET. AC	2P	GLE	A C アウトレット	05
	WA709000	P. C. B.	VIDEO	AX450	P C B ビデオ	10
	CB851	CN. BS. PIN	4P	AX450	コネクタベースポスト	01
	CB852	CN	14P SE YKF SERIES	AX450	D 端子コネクタ	
	CB853	CN	14P SE YKF SERIES	AX450	D 端子コネクタ	
	CB854	CN	14P SE YKF SERIES	AX450	D 端子コネクタ	
	C865	C. EL	100uF 10V	AX450	ケミコン	01
	C866	C. EL	100uF 10V	AX450	ケミコン	01
	D851	DIODE	1SS355	AX450	ダイオード	01
	D852	DIODE	1SS355	AX450	ダイオード	01
	D853	DIODE	1SS355	AX450	ダイオード	01
	D854	DIODE	1SS355	AX450	ダイオード	01
	D855	DIODE	1SS355	AX450	ダイオード	01
	D856	DIODE	1SS355	AX450	ダイオード	01
	D857	DIODE	1SS355	AX450	ダイオード	01
	IC851	IC	TC74HC4053AF(EL)	AX450	ロジック IC S O P	03
	IC852	IC	TC74HC4053AF(EL)	AX450	ロジック IC S O P	03
	IC853	IC	NJM2581M VIDEO AMP	AX450	アンプ IC S O P	06
	Q851	TR	2SC2412K Q, R, S	AX450	トランジスタ	01
	R872	R. CAR. FP	1Ω 1/4W	AX450	不燃化カーボン抵抗	01
	R873	R. CAR. FP	1Ω 1/4W	AX450	不燃化カーボン抵抗	01

\* New Parts \* 新規部品(マーク#の部品は、基板に含まれません)

RX-V550/HTR-5750  
RX-V450/HTR-5740/DSP-AX450



CHIP PARTS

Schm Ref.	PART NO.	Description	Remarks	Markets	部 品 名	Rank	
	US044220	C. CE. M. CHP	0.022uF	25V		チップセラコン	01
	US060800	C. CE. CHP	8pF	50V		チップセラコン	01
	US061100	C. CE. M. CHP	10pF	50V		チップセラコン	01
	US061180	C. CE. CHP	18pF	50V		チップセラコン	01
	US061220	C. CE. M. CHP	22pF	50V		チップセラコン	01
	US061270	C. CE. M. CHP	27pF	50V		チップセラコン	01
	US061330	C. CE. M. CHP	33pF	50V		チップセラコン	01
	US061470	C. CE. M. CHP	47pF	50V		チップセラコン	01
	US062100	C. CE. M. CHP	100pF	50V		チップセラコン	01
	US062120	C. CE. CHP	120pF	50V		チップセラコン	01
	US062220	C. CE. CHP	220pF	50V		チップセラコン	01
	US062330	C. CE. M. CHP	330pF	50V		チップセラコン	01
	US062470	C. CE. M. CHP	470pF	50V		チップセラコン	01
	US062560	C. CE. CHP	560pF	50V		チップセラ (S L)	01
	US063100	C. CE. M. CHP	1000pF	50V		チップセラコン	01
	US063470	C. CE. CHP	4700pF	50V		チップセラコン	01
	US064100	C. CE. M. CHP	0.01uF	50V		チップセラコン	01
	US065100	C. CE. M. CHP	0.1uF	50V		チップセラ F	01
	US135100	C. CE. CHP	0.1uF	16V		チップセラコン	01
	RD350000	R. CHP	0Ω	1/16W		チップ抵抗	01
	RD353220	R. CHP	2.2Ω	1/16W		チップ抵抗	01
	RD354100	R. CHP	10Ω	1/16W		チップ抵抗	01
	RD354270	R. CHP	27Ω	1/16W		チップ抵抗	01
	RD354470	R. CHP	47Ω	1/16W		チップ抵抗	01
	RD354560	R. CHP	56Ω	1/16W		チップ抵抗	01
	RD354680	R. CHP	68Ω	1/16W		チップ抵抗	01
	RD354750	R. CHP	75Ω	1/16W		チップ抵抗	01
	RD354820	R. CHP	82Ω	1/16W		チップ抵抗	01
	RD355100	R. CHP	100Ω	1/16W		チップ抵抗	01
	RD355220	R. CHP	220Ω	1/16W		チップ抵抗	01
	RD355270	R. CHP	270Ω	1/16W		チップ抵抗	01
	RD355330	R. CHP	330Ω	1/16W		チップ抵抗	01
	RD355470	R. CHP	470Ω	1/16W		チップ抵抗	01
	RD355510	R. CHP	510Ω	1/16W		チップ抵抗	01
	RD355680	R. CHP	680Ω	1/16W		チップ抵抗	01
	RD356100	R. CHP	1KΩ	1/16W		チップ抵抗	01
	RD356150	R. CHP	1.5KΩ	1/16W		チップ抵抗	01
	RD356220	R. CHP	2.2KΩ	1/16W		チップ抵抗	01
	RD356330	R. CHP	3.3KΩ	1/16W		チップ抵抗	01
	RD356430	R. CHP	4.3KΩ	1/16W		チップ抵抗	01
	RD356470	R. CHP	4.7KΩ	1/16W		チップ抵抗	01
	RD356510	R. CHP	5.1KΩ	1/16W		チップ抵抗	01
	RD356560	R. CHP	5.6KΩ	1/16W		チップ抵抗	01
	RD356680	R. CHP	6.8KΩ	1/16W		チップ抵抗	01
	RD357100	R. CHP	10KΩ	1/16W		チップ抵抗	01
	RD357130	R. CHP	13KΩ	1/16W		チップ抵抗	01
	RD357150	R. CHP	15KΩ	1/16W		チップ抵抗	01
	RD357180	R. CHP	18KΩ	1/16W		チップ抵抗	01
	RD357220	R. CHP	22KΩ	1/16W		チップ抵抗	01
	RD357270	R. CHP	27KΩ	1/16W		チップ抵抗	01
	RD357330	R. CHP	33KΩ	1/16W		チップ抵抗	01
	RD357470	R. CHP	47KΩ	1/16W		チップ抵抗	01
	RD358100	R. CHP	100KΩ	1/16W		チップ抵抗	01

\* New Parts \* 新規部品(マーク#の部品は、基板に含まれません)

# Parts List for Carbon Resistors

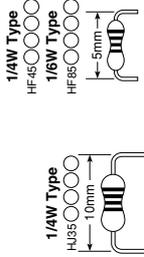
Schm Ref.	PART NO.	Description	Remarks	Markets	部 品 名	Rank
	RD358220	R,CHP 220K Ω	1/16W		チップ抵抗	01
	RD358470	R,CHP 470K Ω	1/16W		チップ抵抗	01
	RD358680	R,CHP 680K Ω	1/16W		チップ抵抗	01
	RD359100	R,CHP 1M Ω	1/16W		チップ抵抗	01
	RF354820	R,CAR,CHP 82 Ω	1/16W		チップ抵抗	01
	RF355820	R,CHP 820 Ω	1/16W		チップ抵抗	01
	RF356130	R,CHP 1.3K Ω	1/16W		チップ抵抗	01
	RF356470	R,CHP 4.7K Ω	1/16W		チップ抵抗	01
	RF356560	R,CHP 5.6K Ω	1/16W		チップ抵抗	01
	RF356680	R,CHP 6.8K Ω	1/16W		チップ抵抗	01
	RF357200	R,CHP 20K Ω	1/16W		チップ抵抗	01
	RF357470	R,CHP 47K Ω	1/16W		チップ抵抗	01

\*

\*

\* : New Parts \* 新部品 (マウスの部品は、基板に含まれません)

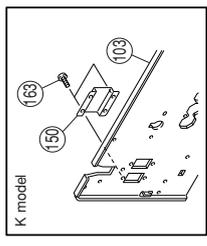
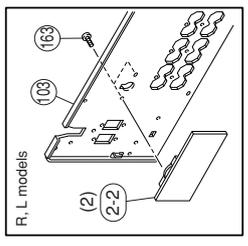
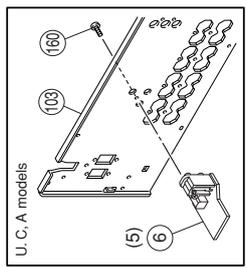
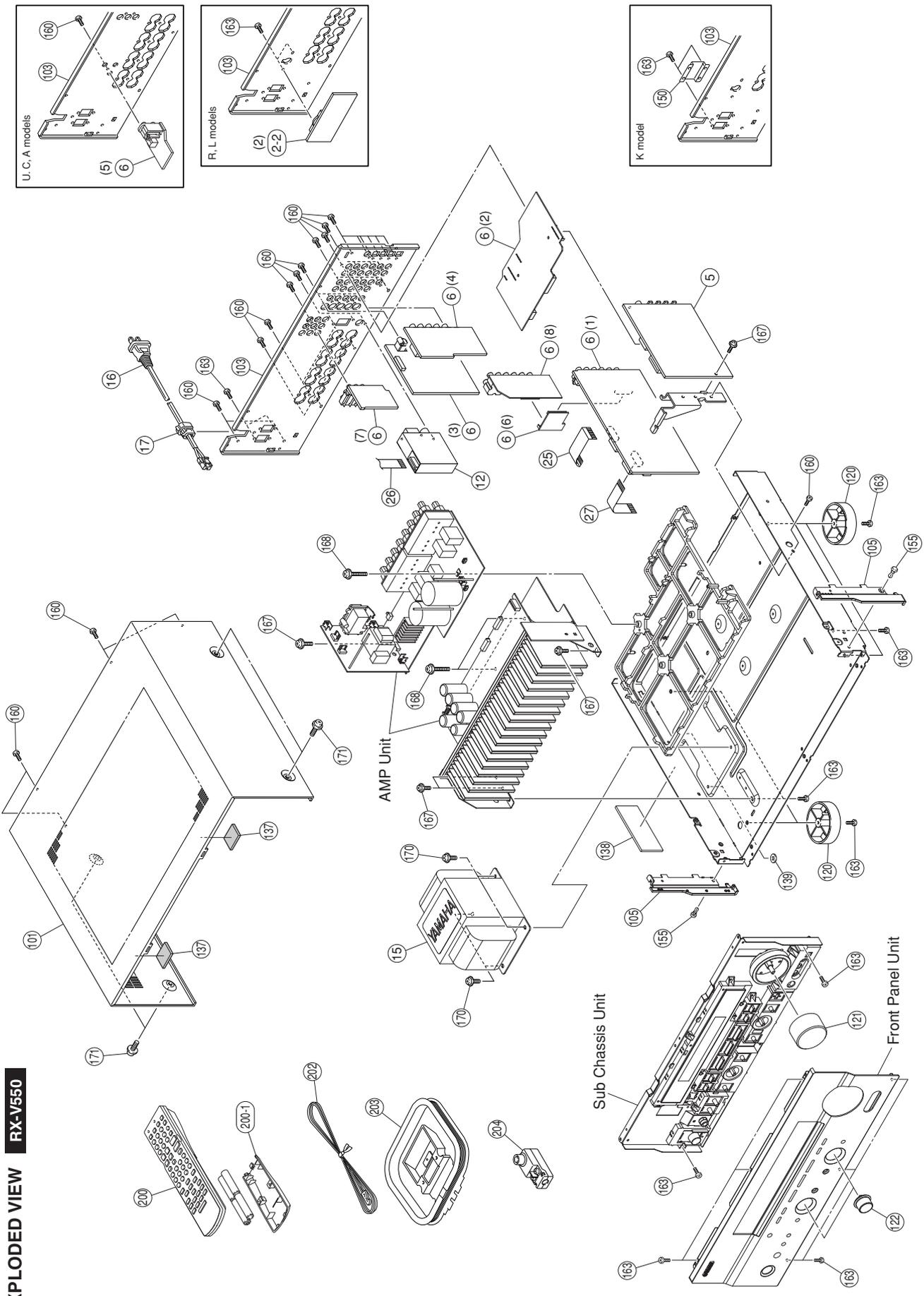
Value	1/4W Type Part No.	1/6W Type Part No.	Value	1/4W Type Part No.	1/6W Type Part No.
1.0 Ω	HJ85 3100	HF85 3100	10 kΩ	HF45 7100	HF45 7100
1.8 Ω	HJ85 3180	HF85 3180	11 kΩ	HF45 7110	HF45 7110
2.2 Ω	HJ85 3220	HF85 3220	12 kΩ	HJ85 7120	HF85 7120
3.3 Ω	HJ85 3330	HF85 3330	13 kΩ	HF45 7130	HF45 7130
4.7 Ω	HJ85 3470	HF85 3470	15 kΩ	HF45 7150	HF45 7150
5.6 Ω	HJ85 3560	HF85 3560	18 kΩ	HF45 7180	HF45 7180
10 Ω	HF45 4100	HF45 4100	22 kΩ	HF45 7220	HF45 7220
15 Ω	HJ85 4150	HF85 4150	24 kΩ	HF45 7240	HF45 7240
22 Ω	HF45 4220	HF45 4220	27 kΩ	HJ85 7270	HF85 7270
27 Ω	HJ85 4270	HF85 4270	30 kΩ	HF45 7300	HF45 7300
33 Ω	HF45 4330	HF45 4330	33 kΩ	HF45 7330	HF45 7330
39 Ω	HJ85 4390	HF85 4390	36 kΩ	HF45 7360	HF45 7360
47 Ω	HF45 4470	HF45 4470	39 kΩ	HF45 7390	HF45 7390
56 Ω	HF45 4560	HF45 4560	47 kΩ	HF45 7470	HF45 7470
68 Ω	HF45 4680	HF45 4680	51 kΩ	HF45 7510	HF45 7510
75 Ω	HF45 4750	HF45 4750	56 kΩ	HF45 7560	HF45 7560
82 Ω	HF45 4820	HF45 4820	62 kΩ	HF45 7620	HF45 7620
91 Ω	HF45 4910	HF45 4910	68 kΩ	HF45 7680	HF45 7680
100 Ω	HF45 5100	HF45 5100	82 kΩ	HF45 7820	HF45 7820
110 Ω	HJ85 5110	HF85 5110	91 kΩ	HF45 7910	HF45 7910
120 Ω	HF45 5120	HF45 5120	100 kΩ	HF45 8100	HF45 8100
150 Ω	HF45 5150	HF45 5150	110 kΩ	HF45 8110	HF45 8110
160 Ω	HJ85 5160	HF85 5160	120 kΩ	HF45 8120	HF45 8120
180 Ω	HF45 5180	HF45 5180	150 kΩ	HF45 8150	HF45 8150
200 Ω	HF45 5200	HF45 5200	180 kΩ	HF45 8180	HF45 8180
220 Ω	HF45 5220	HF45 5220	220 kΩ	HJ85 8220	HF85 8220
270 Ω	HF45 5270	HF45 5270	270 kΩ	HF45 8270	HF45 8270
330 Ω	HF45 5330	HF45 5330	300 kΩ	HF45 8300	HF45 8300
390 Ω	HF45 5390	HF45 5390	330 kΩ	HF45 8330	HF45 8330
430 Ω	HF45 5430	HF45 5430	390 kΩ	HJ85 8390	HF85 8390
470 Ω	HF45 5470	HF45 5470	470 kΩ	HF45 8470	HF45 8470
510 Ω	HF45 5510	HF45 5510	560 kΩ	HJ85 8560	HF85 8560
560 Ω	HF45 5560	HF45 5560	680 kΩ	HJ85 8680	HF85 8680
680 Ω	HF45 5680	HF45 5680	820 kΩ	HJ85 8820	HF85 8820
820 Ω	HF45 5820	HF45 5820	1.0 MΩ	HF45 9100	HF45 9100
910 Ω	HF45 5910	HF45 5910	1.2 MΩ	HJ85 9120	*
1.0 kΩ	HF45 6100	HF45 6100	1.5 MΩ	HJ85 9150	HF85 9150
1.2 kΩ	HF45 6120	HF45 6120	1.8 MΩ	HJ85 9180	HF85 9180
1.5 kΩ	HF45 6150	HF45 6150	2.2 MΩ	HJ85 9220	HF85 9220
1.8 kΩ	HF45 6180	HF45 6180	3.3 MΩ	HJ85 9330	HF85 9330
2.0 kΩ	HJ85 6200	HF85 6200	3.9 MΩ	HJ85 9390	*
2.2 kΩ	HF45 6220	HF45 6220	4.7 MΩ	HJ85 9470	HF85 9470
2.4 kΩ	HJ85 6240	HF85 6240			
2.7 kΩ	HF45 6270	HF45 6270			
3.0 kΩ	HF45 6300	HF45 6300			
3.3 kΩ	HF45 6330	HF45 6330			
3.6 kΩ	HJ85 6360	HF85 6360			
3.9 kΩ	HF45 6390	HF45 6390			
4.7 kΩ	HF45 6470	HF45 6470			
5.1 kΩ	HF45 6510	HF45 6510			
5.6 kΩ	HF45 6560	HF45 6560			
6.8 kΩ	HF45 6680	HF45 6680			
8.2 kΩ	HF45 6820	HF45 6820			
9.1 kΩ	HF45 6910	HF45 6910			



\* : Not available

RX-V550/HTR-5750  
RX-V450/HTR-5740/DSP-AX450

**EXPLODED VIEW** RX-V550



**MECHANICAL PARTS RX-V550**

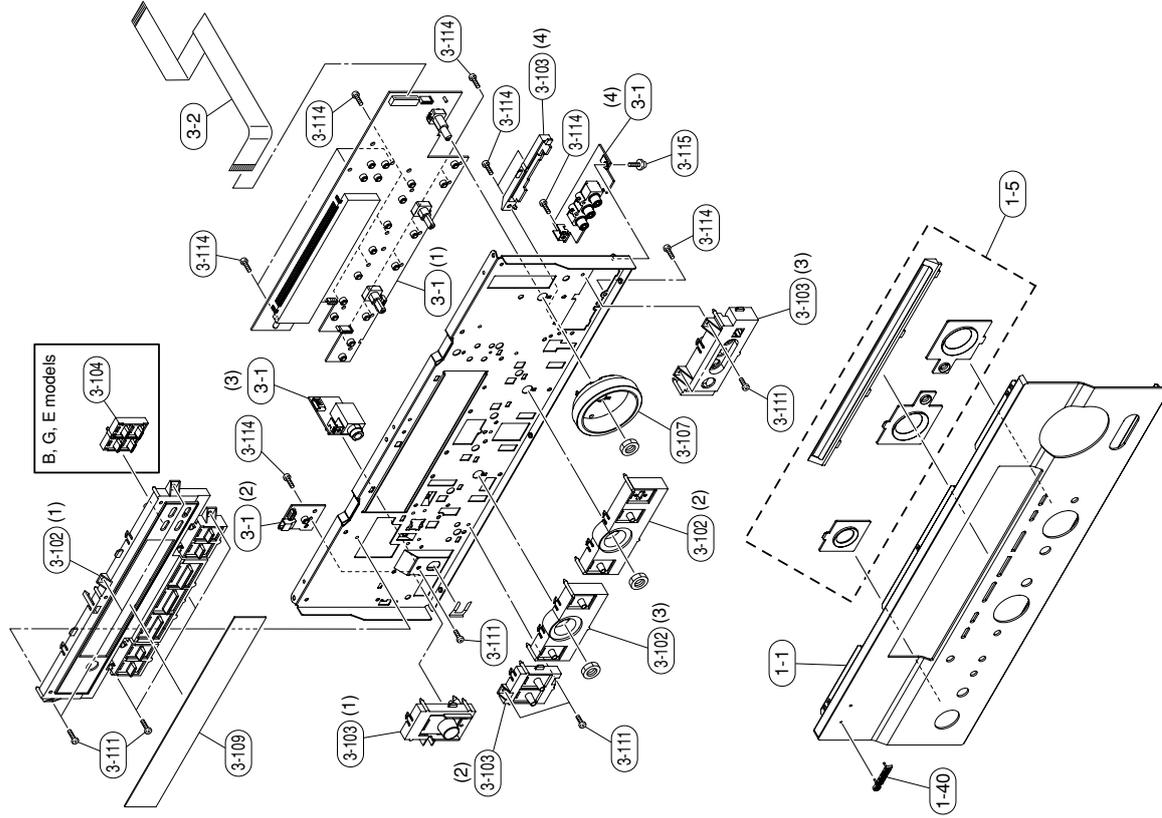
Schm Ref.	PART NO.	Description	Remarks	Markets	部 品 名	Rank
* 1	W039500	P.C.B. ASS'Y		R	P.C.B集成 パワー	
* 2	W0072800	POWER		L	P.C.B集成 パワー	
* 3	W0341800	P.C.B. ASS'Y		L	P.C.B D S P	
* 4	W0344500	P.C.B. ASS'Y		UC	P.C.Bファンクション	
* 5	W0344700	P.C.B. ASS'Y		R	P.C.Bファンクション	
* 6	W0344800	P.C.B. ASS'Y		T	P.C.Bファンクション	
* 7	W0344900	P.C.B. ASS'Y		K	P.C.Bファンクション	
* 8	W0345000	P.C.B. ASS'Y		A	P.C.Bファンクション	
* 9	W0345100	P.C.B. ASS'Y		BGE	P.C.Bファンクション	
* 10	V6782300	AM/FM TUNER		L	P.C.Bファンクション	
* 11	V6782400	AM/FM TUNER		UCRT	AM/FM チューナ	
* 12	X259400	POWER TRANSFORMER	TFCE1U15A	KABBE	AM/FM チューナ	
* 13	X259400	POWER TRANSFORMER	TFCE1E37A	L	AM/FM チューナ	
* 14	X259400	POWER TRANSFORMER	FAE350-A10F	UC	電源トランス	
* 15	X259400	POWER TRANSFORMER		RL	電源トランス	05
* 16	X260400	POWER TRANSFORMER		TK	電源トランス	
* 17	X261400	POWER TRANSFORMER		A	電源トランス	
* 18	X251400	POWER CABLE		BGE	電源トランス	
* 19	V2369800	POWER CABLE		UC	電源コード	
* 20	W0392700	POWER CABLE		R	電源コード	
* 21	V2542500	POWER CABLE		T	電源コード	
* 22	W0753000	POWER CABLE		K	電源コード	
* 23	W0743700	POWER CABLE		A	電源コード	
* 24	W437300	POWER CABLE		B	電源コード	
* 25	W063700	POWER CABLE		GEL	電源コード	
* 26	V2438700	CORD STOPPER			コードストッパー	04
* 27	MF118070	FLEXIBLE FLAT CABLE	10P1		カード電線 C&C	02
* 28	MF115070	FLEXIBLE FLAT CABLE	18P P=1.25		カード電線 C&C	
* 29	MF113070	FLEXIBLE FLAT CABLE	15P P=1.25		カード電線 C&C	
* 30	MF110700	FLEXIBLE FLAT CABLE	13P P=1.25		カード電線 C&C	01
* 31	W0479200	TOP COVER		GD	トップカバー	
* 32	W0479100	TOP COVER		BL	トップカバー	
* 33	W0479300	TOP COVER		TI	トップカバー	
* 34	W0482800	REAR PANEL		UC	リヤパネル	
* 35	W0482900	REAR PANEL		R	リヤパネル	
* 36	W0483000	REAR PANEL		T	リヤパネル	
* 37	W0483100	REAR PANEL		K	リヤパネル	
* 38	W0483200	REAR PANEL		A	リヤパネル	
* 39	W0483300	REAR PANEL		B	リヤパネル	
* 40	W0483350	REAR PANEL		GE	リヤパネル	
* 41	W0483300	REAR PANEL		L	リヤパネル	
* 42	W0494200	PLATE, SIDE		GD	プレート/サイド	
* 43	W0494100	PLATE, SIDE		BL	プレート/サイド	
* 44	W0494300	PLATE, SIDE		TI	プレート/サイド	
* 45	V0042500	LEG		GD	レッグ	03
* 46	V025000	LEG		BL, TI	レッグ	
* 47	W0494500	KNOB D48		GD	ノブ D 4 8	02
* 48	W0494400	KNOB D48		BL	ノブ D 4 8	
* 49	W0494600	KNOB D48		TI	ノブ D 4 8	
* 50	W0494900	KNOB D20		GD	ノブ D 2 1 . 5	
* 51	W0494800	KNOB D20		BL	ノブ D 2 1 . 5	
* 52	W0495000	KNOB D20		TI	ノブ D 2 1 . 5	
* 53	W0165900	DAMPER TOP			ダンパー TOP	
* 54	V3198100	DAMPER	GUARD		ダンパー	01
* 55	W0379000	DAMPER			ダンパー	

\* New Parts \* 新規部品は(マーク)の部品は、基板に含まれません。

Schm Ref.	PART NO.	Description	Remarks	Markets	部 品 名	Rank
* 150	V0466300	COVER/AC OUTLETS		K	カバー/ACアウトレット	01
* 151	V0368600	PUSH RIVET	P3555-B		プッシュリベット	01
* 152	W0413300	BIND HEAD BONDING B-T. SCREW	3x8		ボンディングBタイトネジ	01
* 153	EP600250	BIND HEAD B-TIGHT SCREW	3x8		バインドBタイトネジ	01
* 154	VT669300	PW HEAD B-TIGHT SCREW	3x8-8		PWヘッドBタイトネジ	01
* 155	VT669400	PW HEAD B-TIGHT SCREW	3x15-8		PWヘッドBタイトネジ	01
* 156	W0881000	SCREW	4x10-10		スクリュー	01
* 157	W0669600	PW HEAD S-TIGHT SCREW	4x8-10	GD, TI	PWヘッドSタイトネジ	01
* 158	Z1991500	PW HEAD S-TIGHT SCREW	4x8-10	BL	PWヘッドSタイトネジ	01
* 200	W0552800	ACCESSORIES	RAV250	UCRTKAL	付属品	
* 201	W0552900	REMOTE CONTROL	RAV251	BGE	リモコン	
* 202	AA034140	BATTERY COVER			電池蓋	
* 203	V6267000	INDOOR FM ANTENNA	1.4m 1pc	UCRTK	F.M簡易アンテナ	05
* 204	N0147100	INDOOR FM ANTENNA	1.4m 1pc	ABEEL	F.M簡易アンテナ	03
* 205	W0248600	AM LOOP ANTENNA	1.0m 1pc		A.Mループアンテナ	02
* 206	W0364900	ANTENNA ADAPTER	PAL	B	A.Mループアンテナ	03
* 207		BATTERY, MANGANESE DRY	UM-4NE (4pcs)		マンガン電池 4 P C S	03

\* New Parts \* 新規部品は(マーク)の部品は、基板に含まれません。

EXPLODED VIEW (FRONT PANEL UNIT & SUB CHASSIS UNIT) RX-V550

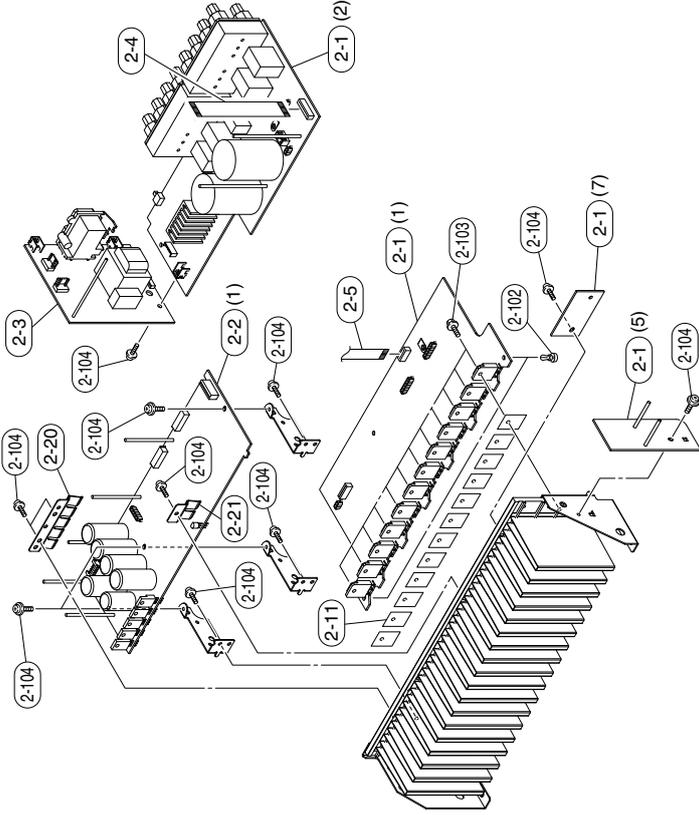


MECHANICAL PARTS (FRONT PANEL UNIT & SUB CHASSIS UNIT) RX-V550

Schm Ref.	PART NO.	Description	Remarks	Markets	部 品 名	Rank
* 1-1	MC486700	FRONT PANEL		GD	フロントパネル	
* 1-1	MC486600	FRONT PANEL		BL	フロントパネル	
* 1-1	MC486800	FRONT PANEL		BL	フロントパネル	
* 1-1	MC487000	FRONT PANEL		TI	フロントパネル	
* 1-5	MC493900	ESCUTCHEON/650		GD	エスカッション650	
* 1-5	MC493800	ESCUTCHEON/650		BL	エスカッション650	
* 1-5	MC494000	ESCUTCHEON/650		TI	エスカッション650	
* 1-40	V6034200	EMBLEM		GD	エンブレム	03
* 1-40	V6034100	EMBLEM		BL, TI	エンブレム	03
* 3-1	MC846500	P.C.B. ASS'Y	OPERATION	UCA	P.C.Bオペレーション	
* 3-1	MC846600	P.C.B. ASS'Y	OPERATION	RTKL	P.C.Bオペレーション	
* 3-1	MC846700	P.C.B. ASS'Y	OPERATION	BDE	P.C.Bオペレーション	
* 3-2	MF121350	FLEXIBLE FLAT CABLE	21P 350mm P=1,25		カード電線 C&C	
* 3-102	MC490900	BUTTON CASE 650		GD	ボタンケース650	
* 3-102	MC491000	BUTTON CASE 650		BL	ボタンケース650	
* 3-102	MC491500	BUTTON CASE 650		TI	ボタンケース650	
* 3-103	MC491400	BUTTON 650		GD	ボタン 650	
* 3-103	MC491600	BUTTON 650		BL	ボタン 650	
* 3-103	MC491800	BUTTON 650		TI	ボタン 650	
* 3-104	MC492400	BUTTON/RDS 650		BL	ボタン/RDS 650	
* 3-104	MC492600	BUTTON/RDS 650		TI	ボタン/RDS 650	
* 3-107	MC493200	ESCUTCHEON/VOL		GD	エスカッションVOL	
* 3-107	MC493100	ESCUTCHEON/VOL		BL	エスカッションVOL	
* 3-107	MC493300	ESCUTCHEON/VOL		TI	エスカッションVOL	
* 3-109	MC495200	SHEET, WINDOW		UCRTKL	シート/ウインドウ	
* 3-109	MC495300	SHEET, WINDOW		BDE	シート/ウインドウ	
* 3-111	EP600250	BIND HEAD B-TIGHT SCREW	3x8		バインドBタイトネジ	01
* 3-114	EP630220	BIND HEAD P-TIGHT SCREW	3x8		バインドPタイトネジ	01
* 3-115	VT669300	PW HEAD B-TIGHT SCREW	3x8-8		PWヘッドBタイトネジ	01

\* New Parts \* 新規部品(マーク#の部品は、基板に含まれません)

EXPLODED VIEW (AMP UNIT) RX-V550



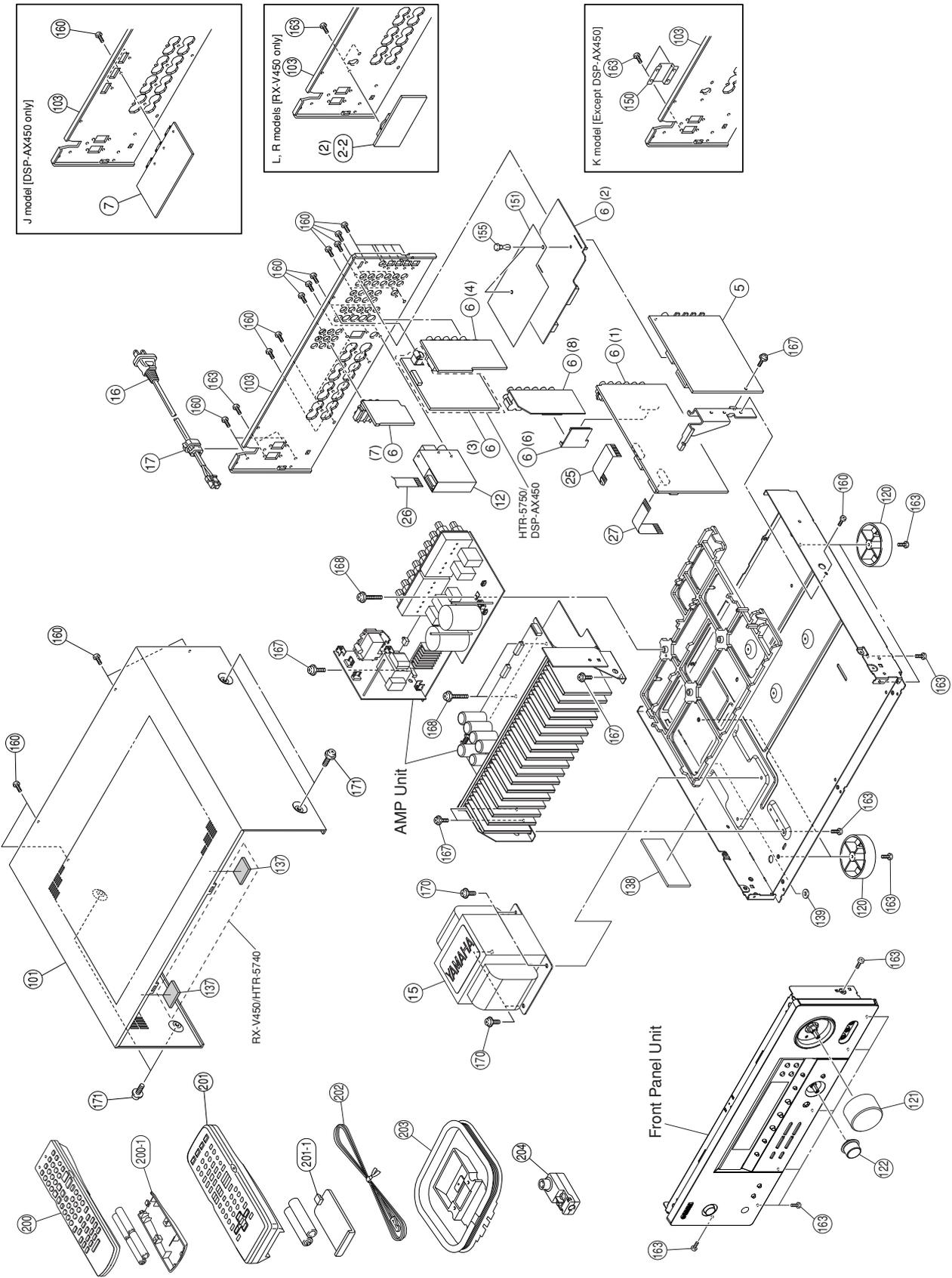
MECHANICAL PARTS (AMP UNIT) RX-V550

Schm Ref.	PART NO.	Description	Remarks	Markets	部 品 名	Rank
* 2-1	WC838200	P.C.B. ASS'Y	MAIN	UC	P.C.B. マイソ	
* 2-1	WC838300	P.C.B. ASS'Y	MAIN	RTA	P.C.B. マイソ	
* 2-1	WC838400	P.C.B. ASS'Y	MAIN	KBREL	P.C.B. マイソ	
* 2-2	WC839400	P.C.B. ASS'Y	POWER	UCTK	P.C.B.集積 パワー	
* 2-2	WC839500	P.C.B. ASS'Y	POWER	ABDE	P.C.B.集積 パワー	
* 2-3	WC840900	P.C.B. ASS'Y	SUBTRANS	UC	P.C.B. サブトランス	
* 2-3	WC841000	P.C.B. ASS'Y	SUBTRANS	R	P.C.B. サブトランス	
* 2-3	WC841100	P.C.B. ASS'Y	SUBTRANS	TK	P.C.B. サブトランス	
* 2-3	WC841200	P.C.B. ASS'Y	SUBTRANS	A	P.C.B. サブトランス	
* 2-3	WC841300	P.C.B. ASS'Y	SUBTRANS	B	P.C.B. サブトランス	
* 2-3	WC841400	P.C.B. ASS'Y	SUBTRANS	GE	P.C.B. サブトランス	
* 2-3	WC841500	P.C.B. ASS'Y	SUBTRANS	L	P.C.B. サブトランス	
* 2-4	MF119140	FLEXIBLE FLAT CABLE	19P 140mm P=1.25		カード電線 C&C	03
* 2-4	MF108140	FLEXIBLE FLAT CABLE	8P 140mm P=1.25		カード電線 C&C	
* 2-5	W849300	RADIATION SHEET	19x24		シート/放熱	01
* 2-11	WC656000	SUPPORT/TR			サポート/TR	
* 2-20	WC656000	SUPPORT/TR			サポート/TR	
* 2-21	V2673000	SUPPORT/TR 2P			サポート/TR 2 P	
* 2-102	V0386600	PUSH RIVET	P3555-B		プッシュリベット	01
* 2-103	WK173200	SCREW, TRANSISTOR	3x15 SP MFC2		スクリューTR	01
* 2-104	VT669300	PN HEAD B-TIGHT SCREW	3x8-8 MFC2		PWヘッドBタイトネジ	01

\* New Parts \* 新部品 (マウスの部品は、基板に含まれません)

RX-V550/HTR-5750  
 RX-V450/HTR-5740/DSP-AX450

**EXPLODED VIEW** HTR-5750 RX-V450/HTR-5740/DSP-AX450



MECHANICAL PARTS HTR-5750 RX-V450/HTR-5740/DSP-AX450

Schm Ref.	PART NO.	Description	Remarks	Markets	部 品 名	Rank
* 1	WC839800	P.C.B. ASS'Y POWER	450	R	P C B集成 パワー	
* 2	WC841800	P.C.B. ASS'Y DSP	450	L	P C B集成 DSP	
* 3	WC841900	P.C.B. ASS'Y DSP	450	J	P C B D S P	
* 4	WC842000	P.C.B. ASS'Y DSP	450, 5740	UCRTKABGLE	P C B D S P	
* 5	WC845300	P.C.B. ASS'Y FUNCTION	5750	T	P C Bフアングション	
* 6	WC845400	P.C.B. ASS'Y FUNCTION	5750	T	P C Bフアングション	
* 7	WC845500	P.C.B. ASS'Y FUNCTION	5750	K	P C Bフアングション	
* 8	WC845600	P.C.B. ASS'Y FUNCTION	5750	A	P C Bフアングション	
* 9	WC843700	P.C.B. ASS'Y FUNCTION	450	J	P C Bフアングション	
* 10	WC843800	P.C.B. ASS'Y FUNCTION	450, 5740	UC	P C Bフアングション	
* 11	WC843900	P.C.B. ASS'Y FUNCTION	450, 5740	RL	P C Bフアングション	
* 12	WC844000	P.C.B. ASS'Y FUNCTION	450, 5740	T	P C Bフアングション	
* 13	WC844100	P.C.B. ASS'Y FUNCTION	450, 5740	KA	P C Bフアングション	
* 14	WC844200	P.C.B. ASS'Y FUNCTION	450, 5740	BGE	P C Bフアングション	
* 15	WC847000	P.C.B. ASS'Y V/DEO	450, 5740	J	P C B ヒテオ	10
* 16	V6782200	AM/FM TUNER		J	AM/FM チューナ	13
* 17	V6782300	AM/FM TUNER		UCRT	AM/FM チューナ	
* 18	V6782400	AM/FM TUNER		KABBE	AM/FM チューナ	
* 19	V7424300	AM/FM TUNER		L	AM/FM チューナ	
* 20	X250A00	POWER TRANSFORMER		J	電源トランス	
* 21	X25B800	POWER TRANSFORMER		UC	電源トランス	
* 22	X259A00	POWER TRANSFORMER		RL	電源トランス	
* 23	X259B00	POWER TRANSFORMER		TK	電源トランス	
* 24	X261A00	POWER TRANSFORMER		A	電源トランス	
* 25	X251A00	POWER TRANSFORMER		BGE	電源トランス	
* 26	V2723100	POWER CABLE	1, 8m	J	電源コード	07
* 27	V2363800	POWER CABLE	2m	UC	電源コード	
* 28	WC992700	POWER CABLE	2m	R	電源コード	04
* 29	W863200	POWER CABLE	2m	T	電源コード	
* 30	WC743700	POWER CABLE	2m	K	電源コード	08
* 31	W437300	POWER CABLE	2m	B	電源コード	
* 32	W863700	POWER CABLE	2m	GLE	電源コード	
* 33	V2438700	CORD STOPPER	10P1		コードストッパー	02
* 34	WF118070	FLEXIBLE FLAT CABLE	18P 70mm P=1.25		カード電線 C & C	02
* 35	WF115070	FLEXIBLE FLAT CABLE	15P 70mm P=1.25		カード電線 C & C	
* 36	WF113070	FLEXIBLE FLAT CABLE	13P 70mm P=1.25		カード電線 C & C	01
* 37	WC479500	TOP COVER	GD		トップカバー	
* 38	WC479600	TOP COVER	BL		トップカバー	
* 39	WC479600	TOP COVER	TI, SI		トップカバー	
* 40	WC484500	REAR PANEL	5750	UC	リヤパネル	
* 41	WC484600	REAR PANEL	5750	T	リヤパネル	
* 42	WC484700	REAR PANEL	5750	K	リヤパネル	
* 43	WC484800	REAR PANEL	5750	A	リヤパネル	
* 44	WC484400	REAR PANEL	450	J	リヤパネル	
* 45	WC483500	REAR PANEL	450	UC	リヤパネル	
* 46	WC483700	REAR PANEL	450	R	リヤパネル	
* 47	WC483800	REAR PANEL	450	T	リヤパネル	
* 48	WC483900	REAR PANEL	450	K	リヤパネル	
* 49	WC484000	REAR PANEL	450	A	リヤパネル	
* 50	WC484200	REAR PANEL	450	B	リヤパネル	
* 51	WC484300	REAR PANEL	450	GE	リヤパネル	
* 52	WC484100	REAR PANEL	450	L	リヤパネル	

\* New Parts \* 新規部品は(マウ)の部品は、基板に含まれません。

Schm Ref.	PART NO.	Description	Remarks	Markets	部 品 名	Rank
* 103	WC485100	REAR PANEL	5740	UC	リヤパネル	
* 104	WC485200	REAR PANEL	5740	T	リヤパネル	
* 105	WC485300	REAR PANEL	5740	K	リヤパネル	
* 106	WC485400	REAR PANEL	5740	A	リヤパネル	
* 107	WC485500	REAR PANEL	5740	GE	リヤパネル	
* 108	WC485600	REAR PANEL	5740		リヤパネル	03
* 109	WC485700	REAR PANEL	5740		リヤパネル	02
* 110	WC485800	REAR PANEL	5740		リヤパネル	02
* 111	WC485900	REAR PANEL	5740		リヤパネル	
* 112	WC486000	REAR PANEL	5740		リヤパネル	
* 113	WC486100	REAR PANEL	5740		リヤパネル	
* 114	WC486200	REAR PANEL	5740		リヤパネル	
* 115	WC486300	REAR PANEL	5740		リヤパネル	
* 116	WC486400	REAR PANEL	5740		リヤパネル	
* 117	WC486500	REAR PANEL	5740		リヤパネル	
* 118	WC486600	REAR PANEL	5740		リヤパネル	
* 119	WC486700	REAR PANEL	5740		リヤパネル	
* 120	WC486800	REAR PANEL	5740		リヤパネル	
* 121	WC486900	REAR PANEL	5740		リヤパネル	
* 122	WC487000	REAR PANEL	5740		リヤパネル	
* 123	WC487100	REAR PANEL	5740		リヤパネル	
* 124	WC487200	REAR PANEL	5740		リヤパネル	
* 125	WC487300	REAR PANEL	5740		リヤパネル	
* 126	WC487400	REAR PANEL	5740		リヤパネル	
* 127	WC487500	REAR PANEL	5740		リヤパネル	
* 128	WC487600	REAR PANEL	5740		リヤパネル	
* 129	WC487700	REAR PANEL	5740		リヤパネル	
* 130	WC487800	REAR PANEL	5740		リヤパネル	
* 131	WC487900	REAR PANEL	5740		リヤパネル	
* 132	WC488000	REAR PANEL	5740		リヤパネル	
* 133	WC488100	REAR PANEL	5740		リヤパネル	
* 134	WC488200	REAR PANEL	5740		リヤパネル	
* 135	WC488300	REAR PANEL	5740		リヤパネル	
* 136	WC488400	REAR PANEL	5740		リヤパネル	
* 137	WC488500	REAR PANEL	5740		リヤパネル	
* 138	WC488600	REAR PANEL	5740		リヤパネル	
* 139	WC488700	REAR PANEL	5740		リヤパネル	
* 140	WC488800	REAR PANEL	5740		リヤパネル	
* 141	WC488900	REAR PANEL	5740		リヤパネル	
* 142	WC489000	REAR PANEL	5740		リヤパネル	
* 143	WC489100	REAR PANEL	5740		リヤパネル	
* 144	WC489200	REAR PANEL	5740		リヤパネル	
* 145	WC489300	REAR PANEL	5740		リヤパネル	
* 146	WC489400	REAR PANEL	5740		リヤパネル	
* 147	WC489500	REAR PANEL	5740		リヤパネル	
* 148	WC489600	REAR PANEL	5740		リヤパネル	
* 149	WC489700	REAR PANEL	5740		リヤパネル	
* 150	WC489800	REAR PANEL	5740		リヤパネル	
* 151	WC489900	REAR PANEL	5740		リヤパネル	
* 152	WC490000	REAR PANEL	5740		リヤパネル	
* 153	WC490100	REAR PANEL	5740		リヤパネル	
* 154	WC490200	REAR PANEL	5740		リヤパネル	
* 155	WC490300	REAR PANEL	5740		リヤパネル	
* 156	WC490400	REAR PANEL	5740		リヤパネル	
* 157	WC490500	REAR PANEL	5740		リヤパネル	
* 158	WC490600	REAR PANEL	5740		リヤパネル	
* 159	WC490700	REAR PANEL	5740		リヤパネル	
* 160	WC490800	REAR PANEL	5740		リヤパネル	
* 161	WC490900	REAR PANEL	5740		リヤパネル	
* 162	WC491000	REAR PANEL	5740		リヤパネル	
* 163	WC491100	REAR PANEL	5740		リヤパネル	
* 164	WC491200	REAR PANEL	5740		リヤパネル	
* 165	WC491300	REAR PANEL	5740		リヤパネル	
* 166	WC491400	REAR PANEL	5740		リヤパネル	
* 167	WC491500	REAR PANEL	5740		リヤパネル	
* 168	WC491600	REAR PANEL	5740		リヤパネル	
* 169	WC491700	REAR PANEL	5740		リヤパネル	
* 170	WC491800	REAR PANEL	5740		リヤパネル	
* 171	WC491900	REAR PANEL	5740		リヤパネル	
* 172	WC492000	REAR PANEL	5740		リヤパネル	
* 173	WC492100	REAR PANEL	5740		リヤパネル	
* 174	WC492200	REAR PANEL	5740		リヤパネル	
* 175	WC492300	REAR PANEL	5740		リヤパネル	
* 176	WC492400	REAR PANEL	5740		リヤパネル	
* 177	WC492500	REAR PANEL	5740		リヤパネル	
* 178	WC492600	REAR PANEL	5740		リヤパネル	
* 179	WC492700	REAR PANEL	5740		リヤパネル	
* 180	WC492800	REAR PANEL	5740		リヤパネル	
* 181	WC492900	REAR PANEL	5740		リヤパネル	
* 182	WC493000	REAR PANEL	5740		リヤパネル	
* 183	WC493100	REAR PANEL	5740		リヤパネル	
* 184	WC493200	REAR PANEL	5740		リヤパネル	
* 185	WC493300	REAR PANEL	5740		リヤパネル	
* 186	WC493400	REAR PANEL	5740		リヤパネル	
* 187	WC493500	REAR PANEL	5740		リヤパネル	
* 188	WC493600	REAR PANEL	5740		リヤパネル	
* 189	WC493700	REAR PANEL	5740		リヤパネル	
* 190	WC493800	REAR PANEL	5740		リヤパネル	
* 191	WC493900	REAR PANEL	5740		リヤパネル	
* 192	WC494000	REAR PANEL	5740		リヤパネル	
* 193	WC494100	REAR PANEL	5740		リヤパネル	
* 194	WC494200	REAR PANEL	5740		リヤパネル	
* 195	WC494300	REAR PANEL	5740		リヤパネル	
* 196	WC494400	REAR PANEL	5740		リヤパネル	
* 197	WC494500	REAR PANEL	5740		リヤパネル	
* 198	WC494600	REAR PANEL	5740		リヤパネル	
* 199	WC494700	REAR PANEL	5740		リヤパネル	
* 200	WC494800	REAR PANEL	5740		リヤパネル	
* 201	WC494900	REAR PANEL	5740		リヤパネル	
* 202	WC495000	REAR PANEL	5740		リヤパネル	
* 203	WC495100	REAR PANEL	5740		リヤパネル	
* 204	WC495200	REAR PANEL	5740		リヤパネル	
* 205	WC495300	REAR PANEL	5740		リヤパネル	
* 206	WC495400	REAR PANEL	5740		リヤパネル	
* 207	WC495500	REAR PANEL	5740		リヤパネル	
* 208	WC495600	REAR PANEL	5740		リヤパネル	
* 209	WC495700	REAR PANEL	5740		リヤパネル	
* 210	WC495800	REAR PANEL	5740		リヤパネル	
* 211	WC495900	REAR PANEL	5740		リヤパネル	
* 212	WC496000	REAR PANEL	5740		リヤパネル	
* 213	WC496100	REAR PANEL	5740		リヤパネル	
* 214	WC496200	REAR PANEL	5740		リヤパネル	
* 215	WC496300	REAR PANEL	5740		リヤパネル	
* 216	WC496400	REAR PANEL	5740		リヤパネル	
* 217	WC496500	REAR PANEL	5740		リヤパネル	
* 218	WC496600	REAR PANEL	5740		リヤパネル	
* 219	WC496700	REAR PANEL	5740		リヤパネル	
* 220	WC496800	REAR PANEL	5740		リヤパネル	
* 221	WC496900	REAR PANEL	5740		リヤパネル	
* 222	WC497000	REAR PANEL	5740		リヤパネル	
* 223	WC497100	REAR PANEL	5740		リヤパネル	
* 224	WC497200	REAR PANEL				



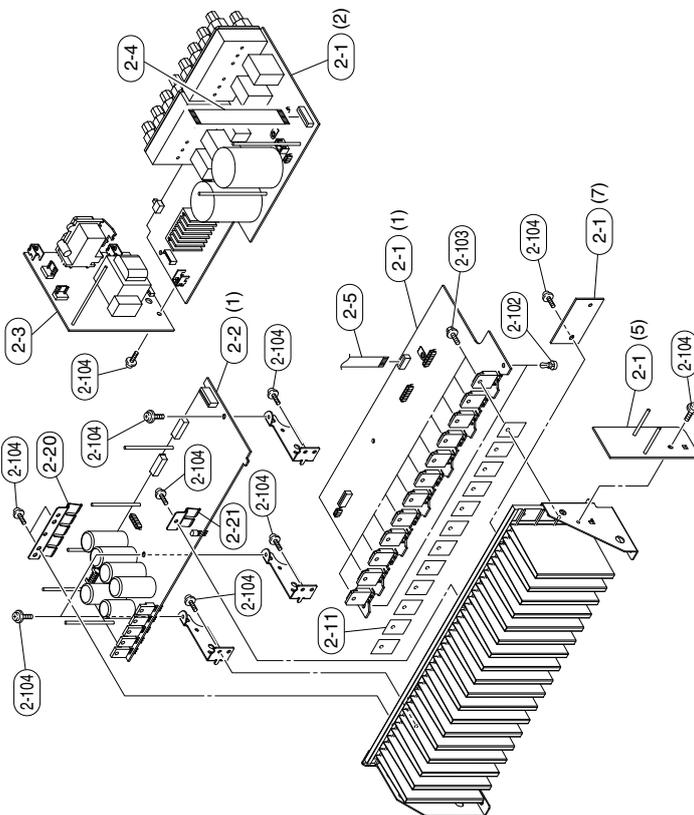


■ EXPLODED VIEW (AMP UNIT) HTR-5750 RX-V450/HTR-5740/DSP-AX450

■ MECHANICAL PARTS (AMP UNIT) HTR-5750 RX-V450/HTR-5740/DSP-AX450

Schm Ref.	PART NO.	Description	Remarks	Markets	部 品 名	Rank
* 2-1	WC838200	P.C.B. ASS'Y	MAIN	UC	P.C.B. メイン	
* 2-1	WC838300	P.C.B. ASS'Y	MAIN	TA	P.C.B. メイン	
* 2-1	WC838400	P.C.B. ASS'Y	MAIN	K	P.C.B. メイン	
* 2-1	WC838500	P.C.B. ASS'Y	MAIN	J	P.C.B. メイン	
* 2-1	WC838600	P.C.B. ASS'Y	MAIN	UC	P.C.B. メイン	
* 2-1	WC838700	P.C.B. ASS'Y	MAIN	RTA	P.C.B. メイン	
* 2-1	WC838800	P.C.B. ASS'Y	MAIN	KBREL	P.C.B. メイン	
* 2-2	WC839400	P.C.B. ASS'Y	POWER	UCTK	P.C.B.集成 ハワー	
* 2-2	WC839600	P.C.B. ASS'Y	POWER	A	P.C.B.集成 ハワー	
* 2-2	WC839700	P.C.B. ASS'Y	POWER	JUCTK	P.C.B.集成 ハワー	
* 2-2	WC839800	P.C.B. ASS'Y	POWER	R	P.C.B.集成 ハワー	
* 2-2	WC839900	P.C.B. ASS'Y	POWER	AGE	P.C.B.集成 ハワー	
* 2-2	WD072900	P.C.B. ASS'Y	POWER	L	P.C.B.集成 ハワー	
* 2-3	WC840800	P.C.B. ASS'Y	SUBTRANS	J	P.C.B. サブトランス	
* 2-3	WC840900	P.C.B. ASS'Y	SUBTRANS	UC	P.C.B. サブトランス	
* 2-3	WC841000	P.C.B. ASS'Y	SUBTRANS	R	P.C.B. サブトランス	
* 2-3	WC841100	P.C.B. ASS'Y	SUBTRANS	TK	P.C.B. サブトランス	
* 2-3	WC841200	P.C.B. ASS'Y	SUBTRANS	A	P.C.B. サブトランス	
* 2-3	WC841300	P.C.B. ASS'Y	SUBTRANS	B	P.C.B. サブトランス	
* 2-3	WC841400	P.C.B. ASS'Y	SUBTRANS	GE	P.C.B. サブトランス	
* 2-3	WC841500	P.C.B. ASS'Y	SUBTRANS	L	P.C.B. サブトランス	
* 2-4	MF119140	FLEXIBLE FLAT CABLE	1.9P 140mm P=1.25		カード電線 C&C	03
* 2-5	MF108140	FLEXIBLE FLAT CABLE	8P 140mm P=1.25		カード電線 C&C	
* 2-11	W849300	RADIATION SHEET	19x24		シート/放射	01
2-20	WC656000	SUPPORT/TR			サポート/TR	
2-21	V2673000	SUPPORT/TR 2P			サポート/TR 2 P	
2-102	W0368600	PUSH RIVET	P3655-B		プッシュリベット	01
2-103	WK173200	SCREW, TRANSISTOR	3x15 SP MFC2		スクリュー/TR	01
2-104	VT669300	PM HEAD B-TIGHT SCREW	3x8-8 MFC2		PWヘッドBタイトネジ	01

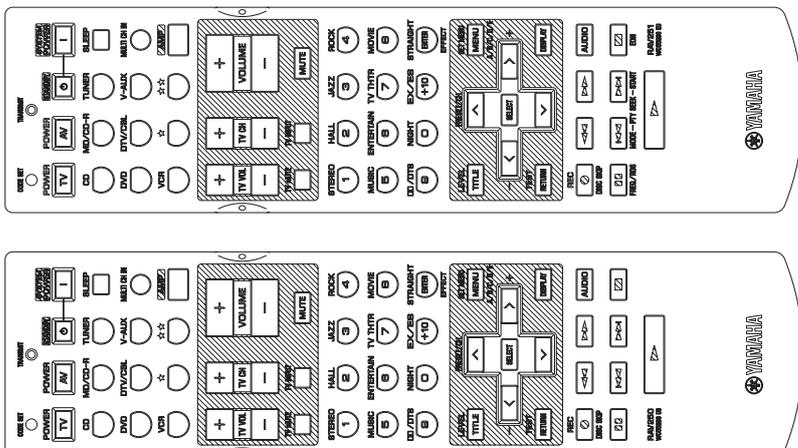
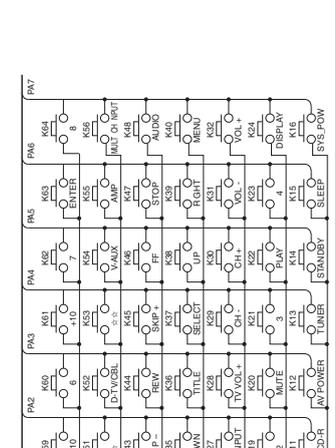
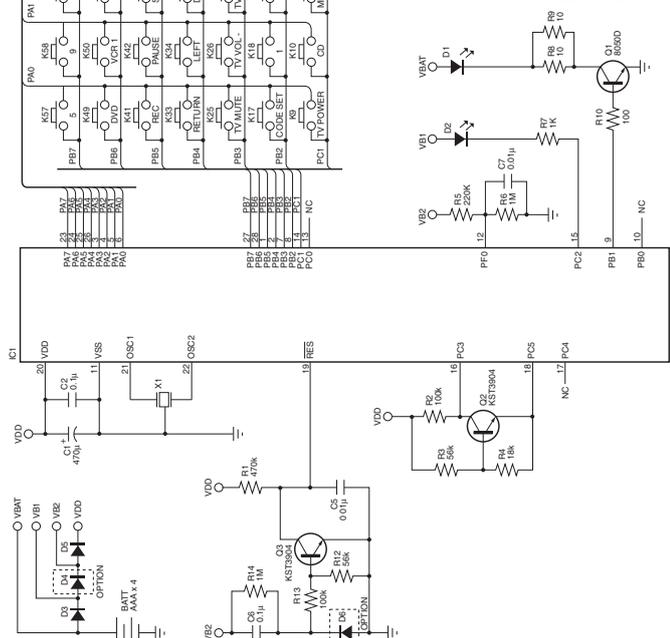
\* New Parts \* 新規部品は、マウスの部品は、基板に含まれません。



1 RX-V550/HTR-5750  
RX-V450/HTR-5740/DSP-AX450

2 ■ REMOTE CONTROL RAV250: RX-V550 (U, C, A, L, R, T, K models), HTR-5750, RX-V450/HTR-5740 (U, C, A, L, R, T, K models), DSP-AX450  
RAV251: RX-V550 (B, G, E models)

3 ● SCHEMATIC DIAGRAM



Key Schematic No. / Key No.	Function	YPC	ZONE2	DVD	LD	CD	CD-R	MD	TAPE	TUNER	AMP					
1	K17	CODE SET	--	--	--	--	--	--	--	--	--					
2	K9	TV POWER	--	--	--	--	--	--	--	--	--					
3	K12	M/POWER	--	7C-80	00A.012	048.012	--	79A-85	--	--	--					
4	K14	STANDBY	7A-1E	7E-7F	7E-8A	7A-1D	--	--	--	--	--					
5	K16	SYSTEM POWER	7A-1D	7E-7E	7E-8A	7A-1D	--	--	--	--	--					
6	K10	CD	--	--	--	--	--	--	--	--	--					
7	K11	M/C/D-R	7A-9	7A-15	7A-11	--	--	--	--	--	--					
8	K13	TUNER	7A-16	7A-16	7A-12	--	--	--	--	--	--					
9	K15	SLEEP	7A-57	7A-57	--	--	--	--	--	--	--					
10	K49	DVD	7A-C1	7A-C1	7A-CD	--	--	--	--	--	--					
11	K52	D.VOL	7A-54	7A-54	7A-DB	--	--	--	--	--	--					
12	K54	V.AUX	7A-55	7A-55	7A-DB	--	--	--	--	--	--					
13	K56	MULTI INPUT	7A-67	7A-67	--	--	--	--	--	--	--					
14	K50	VCR	7A-1F	7A-1F	7A-DB	--	--	--	--	--	--					
15	K51	*	7A-13	7A-13	7A-D7	--	--	--	--	--	--					
16	K53	* *	--	--	--	--	--	--	--	--	--					
17	K55	AMP	--	--	--	--	--	--	--	--	--					
18	K28	TV VOL+	--	--	--	7A-1A	--	--	--	--	--					
19	K30	TV CH+	--	--	--	7A-1A	--	--	--	--	--					
20	K32	VOLUME+	7A-1A	7A-1A	--	--	--	--	--	--	--					
21	K26	TV VOL-	--	--	--	7A-1A	--	--	--	--	--					
22	K29	TV CH-	--	--	--	7A-1B	--	--	--	--	--					
23	K31	VOLUME-	7A-1B	7A-1B	--	--	--	--	--	--	--					
24	K25	TV MUTE	--	--	--	--	--	--	--	--	--					
25	K27	TV INPUT	--	--	--	--	--	--	--	--	--					
26	K20	MUTE	7A-1C	7A-1C	7A-DC	--	--	--	--	--	--					
27	K18	1	--	7C-94	00A.001	048.001	7C-17	79-11	79-11	7F-91	79-95	79-87	--	7A-E5	D1-0E	7A-88
28	K19	2	--	7C-95	00A.002	048.002	7C-18	79-12	79-12	7F-92	79-96	79-88	--	7A-E6	D1-0F	7A-89
29	K21	3	--	7C-96	00A.003	048.003	7C-19	79-13	79-13	7F-93	79-97	79-89	--	7A-E7	D1-10	7A-8A
30	K23	4	--	7C-97	00A.004	048.004	7C-1A	79-14	79-14	7F-94	79-98	79-8A	--	7A-E8	D1-11	7A-8B
31	K57	5	--	7C-98	00A.005	048.005	7C-1B	79-15	79-15	7F-95	79-99	79-8B	--	7A-E9	D1-12	7A-8C
32	K60	6	--	7C-99	00A.006	048.006	7C-1C	79-16	79-16	7F-96	79-9A	79-8C	--	7A-EA	D1-13	7A-8D
33	K62	7	--	7C-9A	00A.007	048.007	7C-1D	79-17	79-17	7F-97	79-8C	79-8D	--	7A-EB	D1-14	7A-8E
34	K64	8	--	7C-9B	00A.008	048.008	7C-1E	79-18	79-18	7F-98	79-8C	79-8E	--	7A-EC	D1-15	7A-8F
35	K56	9	--	7C-9C	00A.009	048.009	7C-1F	79-19	79-19	7F-99	79-8D	79-8F	--	7A-ED	--	7A-90
36	K59	0	--	7C-9D	00A.010	048.010	7C-10	79-10	79-10	7F-90	79-8E	79-90	--	7A-EE	--	7A-91
37	K61	10	--	7C-9E	00A.120	--	--	7C-10	79-10	7F-90	79-8E	79-8F	--	7A-EF	--	7A-92
38	K63	ENTER	--	7C-9E	--	--	--	7C-10	79-10	7F-90	79-8E	79-8F	--	7A-EE	--	7A-92
39	K58	TITLE	--	7C-9E	00A.113	048.113	--	7C-10	79-10	7F-90	79-8E	79-8F	--	7A-EE	--	7A-92
40	K38	A	--	7C-9E	00A.098	048.098	--	7C-10	79-10	7F-90	79-8E	79-8F	--	7A-EE	--	7A-92
41	K40	MENU	--	7C-9E	00A.084	048.084	--	7C-10	79-10	7F-90	79-8E	79-8F	--	7A-EE	--	7A-92
42	K34	<	--	7C-9E	00A.090	048.090	--	7C-10	79-10	7F-90	79-8E	79-8F	--	7A-EE	--	7A-92
43	K37	SELECT	--	7C-9E	00A.092	048.092	--	7C-10	79-10	7F-90	79-8E	79-8F	--	7A-EE	--	7A-92
44	K39	>	--	7C-9E	00A.091	048.091	--	7C-10	79-10	7F-90	79-8E	79-8F	--	7A-EE	--	7A-92
45	K33	RETURN	--	7C-97	00A.131	048.131	--	7C-10	79-10	7F-90	79-8E	79-8F	--	7A-EE	--	7A-92
46	K35	v	--	7C-93	00A.089	048.089	--	7C-10	79-10	7F-90	79-8E	79-8F	--	7A-EE	--	7A-92
47	K24	DISPLAY	--	7C-96	00A.015	048.015	7C-13	79-0A	79-0A	7F-9E	79-95	79-95	--	7A-93	--	7A-93
48	K41	REC	--	7C-98	00A.127	048.127	--	7A-1F	79-4F	--	79-9F	79-81	7A-64	7F-04	--	7A-C2
49	K44	REV	--	7C-98	00A.041	048.041	7C-06	7A-0D	79-05	7F-88	79-9C	79-9C	7A-01	7F-01	--	7A-C2
50	K46	FF	--	7C-97	00A.040	048.040	7C-07	7A-0C	79-06	7F-89	79-9D	79-9D	7A-02	7F-02	--	7A-C2
51	K48	AUDIO	--	7C-9D	00A.078	048.078	7C-12	--	--	--	--	--	7A-06	7F-06	--	7A-C2
52	K42	PAUSE	--	7C-93	00A.048	048.048	7C-5A	7A-09	79-55	7F-83	79-55	79-55	7A-07	7F-07	--	7A-C2
53	K43	SKIP-	--	7C-99	00A.033	048.033	7C-02	7A-0B	79-04	7F-86	79-9B	79-9B	7A-07	7F-07	--	7A-C2
54	K45	SKIP+	--	7C-9A	00A.032	048.032	7C-03	7A-0A	79-07	7F-87	79-9A	79-9A	7A-07	7F-07	--	7A-C2
55	K47	STOP	--	7C-95	00A.049	048.049	7C-6B	7A-09	79-65	7F-84	79-6A	79-6A	7A-03	7F-03	--	7A-C2
56	K22	PLAY	--	7C-92	00A.041	048.041	7C-05	7A-08	79-02	7F-82	79-68	79-68	7A-03	7F-03	--	7A-C2



# RX-V550/HTR-5750 AX-V450/HTR-5740/DSP-AX450



**YAMAHA**